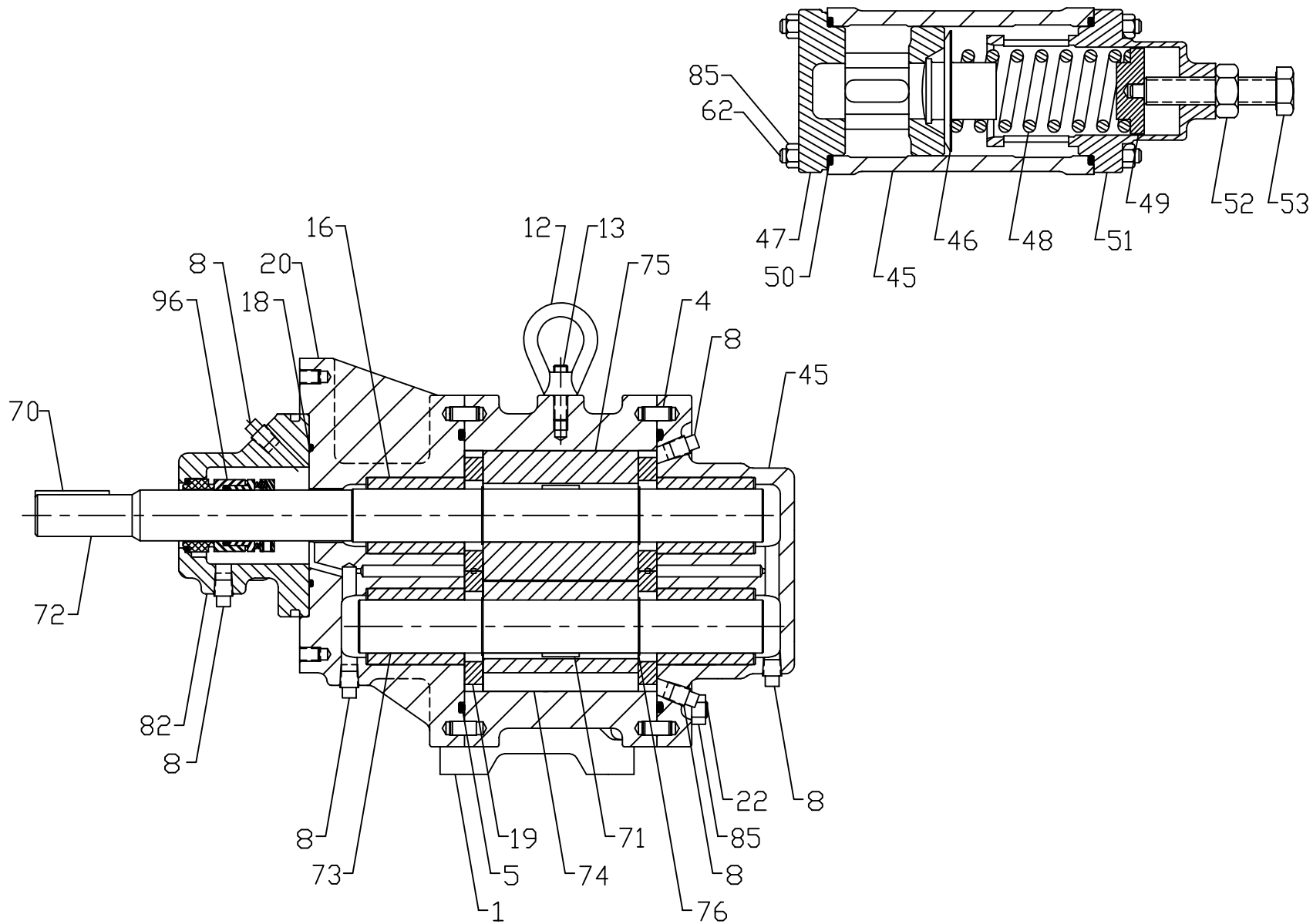


C06-C22

KEY NO.	DESCRIPTION	C06		C11		C22	
		QTY	PART NO.	QTY	PART NO.	QTY	PART NO.
1	Case	1	CP1-890-32	1	CP1-892-32	1	CP1-895-32
4	Dowel Pin	4	D48-78	4	D48-78	4	D48-78
5	"O" Ring, Case	2	G69-145	2	G69-156	2	G69-156
8	Pipe Plug, Plain	8	G56-43	8	G56-43	8	G56-43
	Pipe Plug, RV	9	G56-43	9	G56-43	9	G56-43
12	Hex Nut	1	G62-151	1	G62-151	1	G62-151
13	Stud	1	D22-363	1	D22-363	1	D22-363
15	Nut	16	G74-24	16	G74-24	16	G74-24
16	Bushing	4	G5-834	4	G5-855	4	G5-855
18	"O" Ring	1	G69-21	1	G69-21	1	G69-21
19	Wearplate	4	G22-119	4	G22-126	4	G22-127
20	Backplate	1	CP2-1562-32	1	CP2-1563-32	1	CP2-1563-32
22	Stud	16	D22-357	16	D22-357	16	D22-357
45	Faceplate, Plain	1	CP3-770-32	1	CP3-773-32	1	CP3-773-32
	Faceplate, RV	1	CP3-771-32	1	CP3-772-32	1	CP3-772-32
46	Poppet	1	D16-146-30	1	D16-146-30	1	D16-146-30
47	RV Seat	1	CP24-43-32	1	CP24-43-32	1	CP24-43-32
48	Spring	1	G10-469	1	G10-469	1	G10-469
49	Spring Guide	1	D8-469-30	1	D8-469-30	1	D8-469-30
50	"O" Ring, RV Cap	2	G69-110	2	G69-110	2	G69-110
51	RV Cap	1	CP24-48-32	1	CP24-48-32	1	CP24-48-32
52	Nut, Lock & Seal	1	G43-74	1	G43-74	1	G43-74
53	Adjusting Screw	1	G62-155	1	G62-155	1	G62-155
62	Stud, Plain	4	D22-358	4	D22-358	4	D22-358
	Stud, RV	12	D22-358	12	D22-358	12	D22-358
70	Key, Drive	1	D30-203	1	D30-203	1	D30-203
71	Key, Gear	2	D30-202	2	D30-211	2	D30-212
72	Drive Shaft	1	D1-2411-28	1	D1-2347-28	1	D1-2353-28
73	Idler Shaft	1	D1-2344-28	1	D1-2348-28	1	D1-2354-28
74	Gear, LH	1	D6-1109-28	1	D6-1113-28	1	D6-1119-28
75	Gear, RH	1	D6-1108-28	1	D6-1112-28	1	D6-1118-28
76	Ret Ring (Gear)	4	G41-237	4	G41-252	4	G41-252
82	Seal Housing	1	CP9-329-32	1	CP9-329-32	1	CP9-329-32
85	Nut, Plain	4	G74-25	4	G74-25	4	G74-25
	Nut, RV	12	G74-25	12	G74-25	12	G74-25
96	Mech Seal, Complete	1	G4-374	1	G4-374	1	G4-374



C06-C22