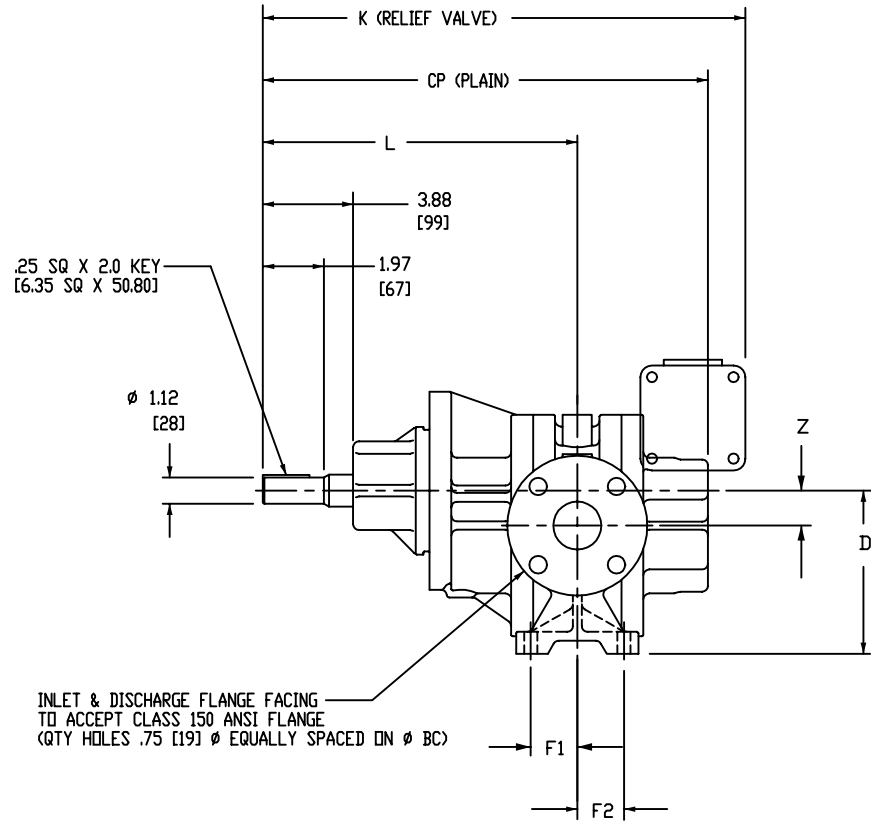
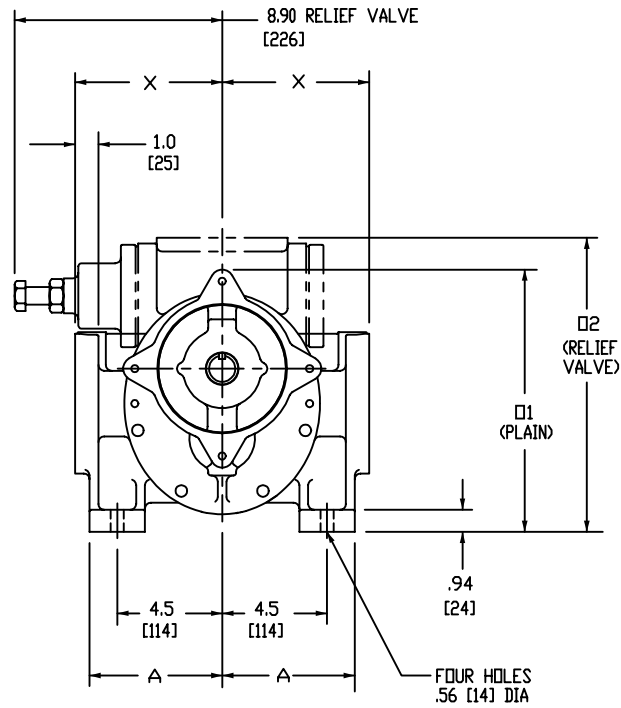


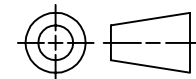
C06-C22



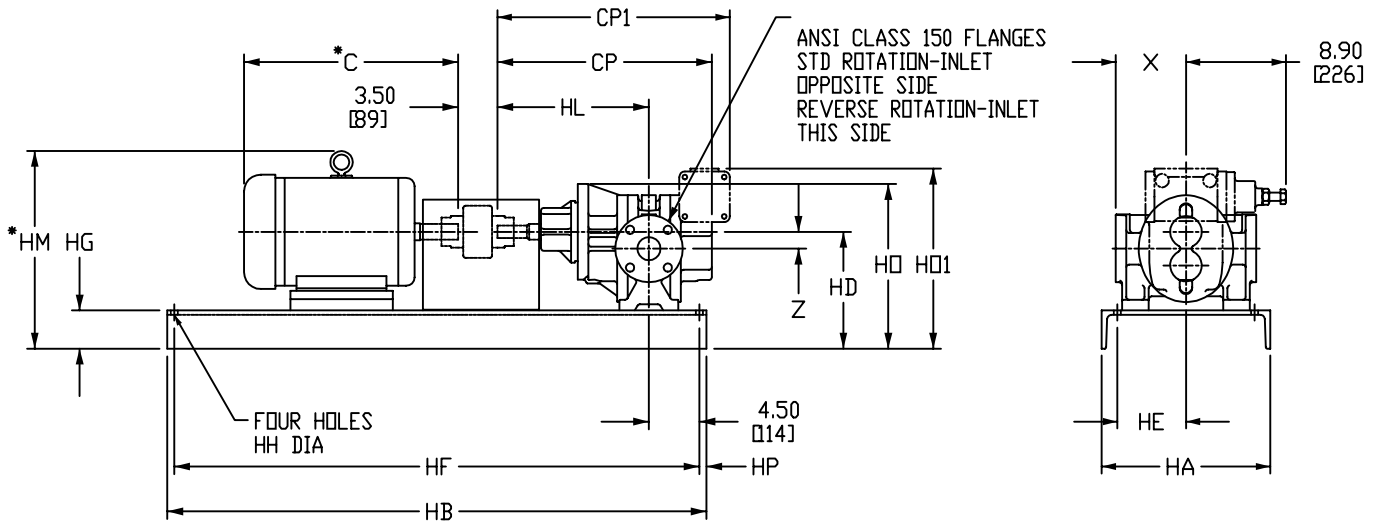
PUMP	FLANGE	A	CP	D	F1	F2	K	L	Ø1	Ø2	X
C06	2" [51] FLANGE FOUR HOLES ON 4.50 [114] Ø BC	5.69 [145]	19.10 [485]	7.00 [178]	2.00 [51]	2.00 [51]	20.70 [526]	13.49 [343]	11.25 [286]	12.62 [321]	6.31 [160]
C11	4" [102] FLANGE EIGHT HOLES ON 7.50 [191] Ø BC	5.94 [151]	20.00 [508]	8.94 [227]	2.64 [67]	1.36 [35]	21.87 [555]	13.95 [354]	13.19 [335]	15.31 [389]	6.56 [167]
C22	4" [102] FLANGE EIGHT HOLES ON 7.50 [191] Ø BC	5.94 [151]	22.11 [562]	8.94 [227]	2.64 [67]	1.36 [35]	23.98 [609]	15.00 [381]	13.19 [335]	15.31 [389]	6.56 [167]

DO NOT SCALE
DIMS IN INCHES (MM)

PROJECTION



C06-C22



✓ = UNIT SELECTED

DIMENSION IN INCHES / [MM]
WEIGHTS IN POUNDS / [KG]

*DIMENSIONS AND MOTOR WEIGHTS WILL VARY BASED ON MOTOR MANUFACTURER AND TYPE. CHART DIMENSIONS AND MOTOR WEIGHTS BASED ON TEFC 3 PHASE MOTORS.

▲PUMP WEIGHTS ARE APPROX. RV = RELIEF VALVE
SPACER COUPLING STANDARD.

✓	PUMP	CP	CP1	HL	X	Z	PORT	▲PUMP WEIGHT	
								W/RV	NO RV
	C06	19.10 [485]	20.70 [526]	13.49 [343]	6.31 [160]	1.50 [38]	2"	175 [79]	145 [66]
	C11	20.00 [508]	21.88 [556]	13.95 [354]	6.56 [167]	2 [51]	4"	245 [111]	215 [98]
	C22	22.11 [562]	23.98 [609]	15.00 [381]	6.56 [167]	2 [51]	4"	300 [136]	270 [122]

✓	MOTOR FRAME	*MOTOR WEIGHT	BASE/COUPLING/HARDWARE WEIGHT			*C	*HM	HA	HB	HE	HF	HG	HH	HP
			C06	C11	C22									
	182T	97 [44]	166 [75]	-	-	16.56 [421]	15.65 [398]							
	184T	110 [50]	168 [76]	-	-	18.08 [459]								
	213T	162 [73]	172 [78]	192 [87]	192 [87]	18.56 [471]	17.40 [442]	15 [381]	48 [1219]	6.12 [155]	46.76 [1188]	3.40 [86]	.62 [16]	.62 [16]
	215T	189 [86]	176 [80]	199 [90]	199 [90]	21.09 [536]								
	254T	290 [132]	180 [82]	220 [100]	220 [100]	23.19 [589]								
	256T													
	284T	417 [189]	172 [78]	224 [102]	224 [102]	27.76 [705]	20.56 [522]							
	286T													
	324T	540 [245]	-	248 [112]	248 [112]	30.25 [768]	21.45 [545]							
	326T													
	364T	700 [318]	-	228 [103]	228 [103]	31.56 [802]	22.45 [570]	18 [457]	56 [1422]	7.50 [191]	54.50 [1384]	3.95 [100]	.88 [22]	.75 [19]
	365T	750 [340]	-	228 [103]	228 [103]	32.56 [827]								

✓	PUMP	HD	HO	HO1
	C06	10.40 [264]	14.65 [372]	16.02 [407]
	C11	12.40 [315]	16.94 [430]	18.77 [477]
	C22			

✓	PUMP	HD	HO	HO1
	C11	12.95 [329]	17.49 [444]	19.32 [491]
	C22			

ROPER PUMP COMPANY
P.O. BOX 269
3475 OLD MAYSVILLE RD
COMMERCE, GEORGIA 30529 U.S.A.

TELEPHONE: (706) 335-5551
TELEFAX: (706) 335-5505



DATE: _____
PUMP NO: _____
ROPER NO: _____
CUSTOMER: _____
CUSTOMER NO: _____
SERVICE: _____