

Roper Pumps

CCD

Series

Close Coupled Drives

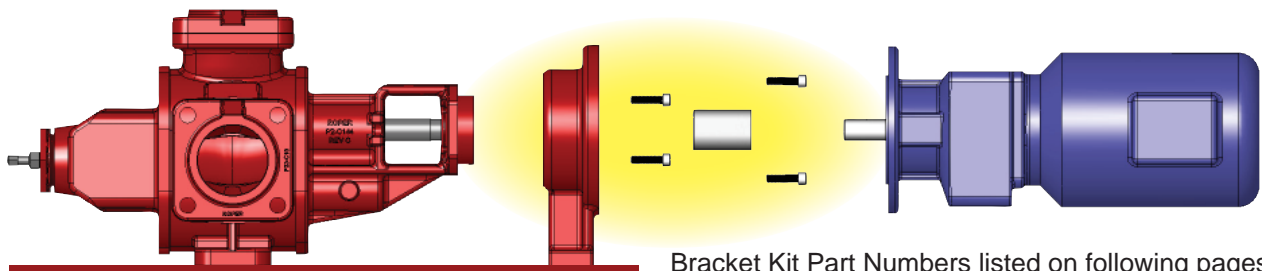
Works with gearboxes available from multiple vendors



Key Features

- Kit allows you to attach a standard European style gearbox available from multiple vendors
- Attaches to a Standard 3600 BH Pump
- No Snag Point; No Guard Required in Most Applications *
- No Baseplate Required on Integral Motor or C-face type inputs

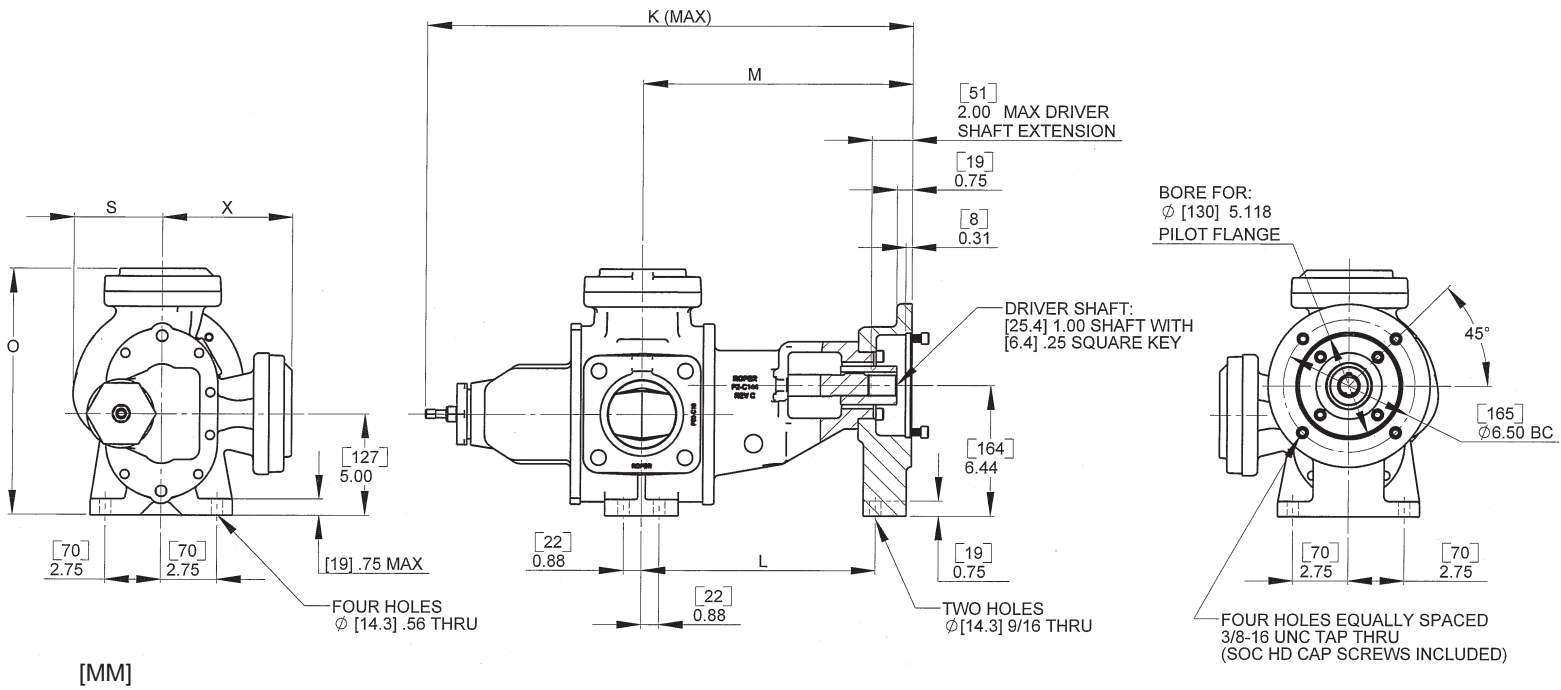
* System Designer must determine if guards are required for application



Bracket Kit Part Numbers listed on following pages.
Kit consists of: Mounting Bracket, Rigid Coupling, Bolts

Pump Sizes 3611-4722

Bracket Kit Part Number: N47-99

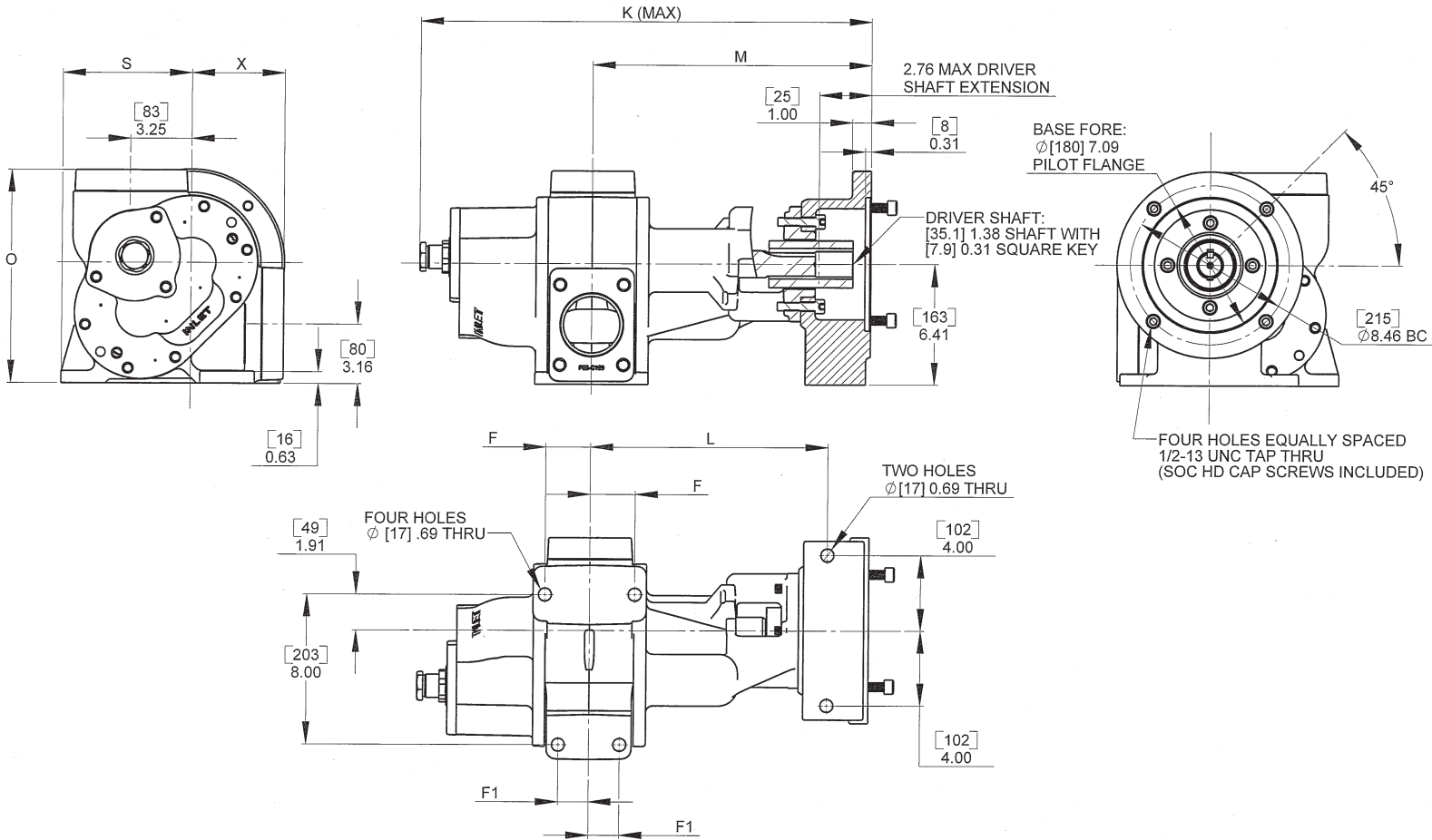


* ABOVE DRAWING ILLUSTRATES RIGHT ANGLE PORT PUMPS ONLY

PUMP MODEL	K (MAX)	L	M	O	PORTS	S	X
*3611 & 3711 BH	[526] 20.72	[254] 10.02	[299] 11.77	[273] 10.75	2" NPT TAPPED	[102] 4.00	[92] 3.62
*3611 & 3711 BHRV							
*3611 & 3711 BHF				[293] 11.54	2" NPT FLANGED	[109] 4.30	
*3611 & 3711 BHFRV				[240] 9.43		[106] 4.17	
4611 & 4711 BHF	[564] 22.22	[274] 10.77	[318] 12.52	[273] 10.75	2" NPT TAPPED	[102] 4.00	[92] 3.62
4611 & 4711 BHFRV							
*3617 & 3717 BHF				[293] 11.54	2" NPT FLANGED	[109] 4.30	
*3617 & 3717 BHFRV				[240] 9.43		[106] 4.17	
4617 & 4717 BHF	[602] 23.72	[293] 11.52	[337] 13.27	[309] 12.16	3" NPT FLANGED	[112] 4.41	[112] 4.41
4617 & 4717 BHFRV							
*3622 & 3722 BHF				[309] 12.16	3" NPT FLANGED	[163] 6.41	
*3622 & 3722 BHFRV				[240] 9.43		[123] 4.85	
4622 & 4722 BHF				[240] 9.43	4" NPT FLANGED	[123] 4.85	[123] 4.85
4622 & 4722 BHFRV							

Pump Sizes 3632-3748

Bracket Kit Part Number: N47-100

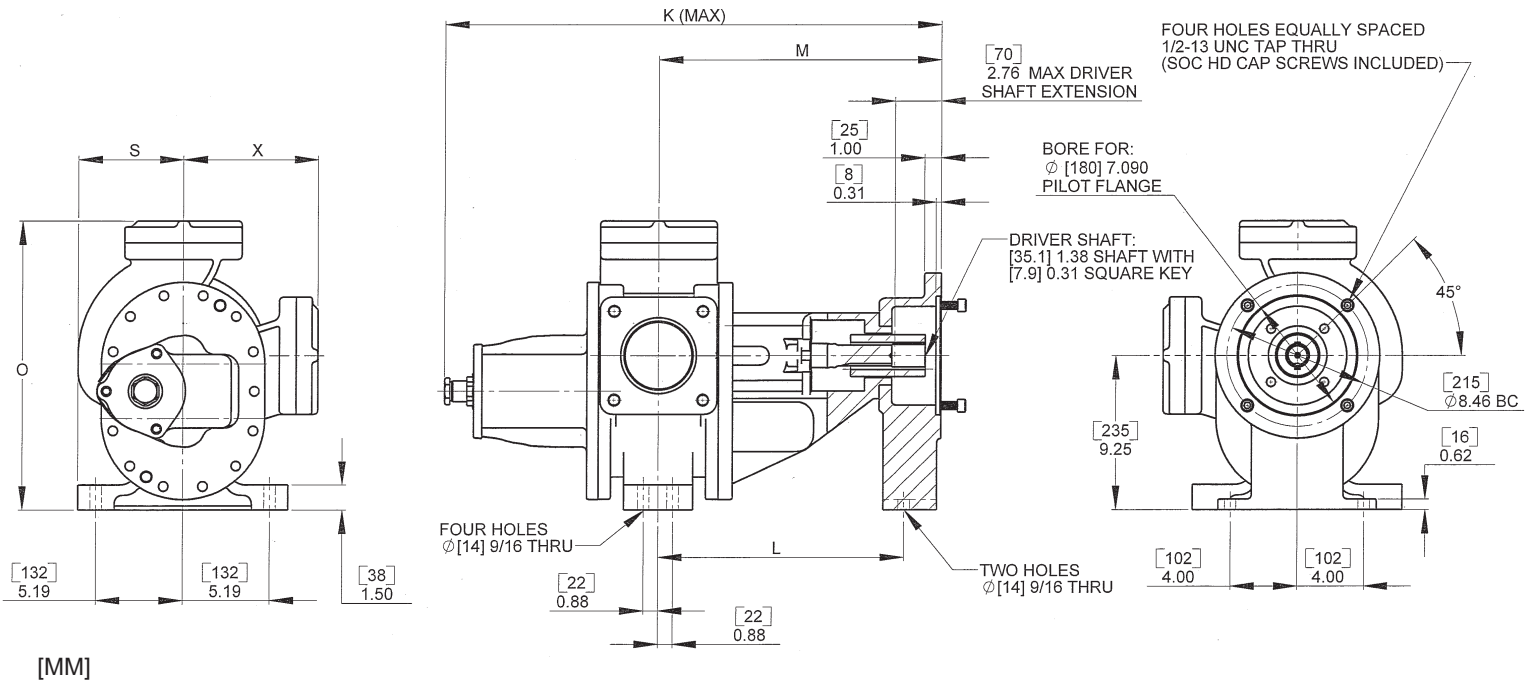


[MM]

PUMP MODEL	F	F1	K (MAX)	L	M	O	PORTS	S	X
3632 & 3732 BHF	[60]	[41]	[608]	[320]	[376]	[287]	3" NPT	[174]	
3632 & 3732 BHFRV	2.38	1.63	23.95	12.60	14.80	11.31	FLANGED	6.85	[125]
3643 & 3743 BHF	[60]	[60]	[650]	[340]	[396]	[288]	3" NPT	[176]	4.91
3643 & 3743 BHFRV	2.38	2.38	25.58	13.41	15.61	11.33	FLANGED	6.92	
3648 & 3748 BHF	[76]	[76]	[677]	[3.56]	[412]	[292]	4" NPT	[176]	[130]
3648 & 3748 BHFRV	3.00	3.00	26.67	14.01	16.21	11.50	FLANGED	6.94	5.11

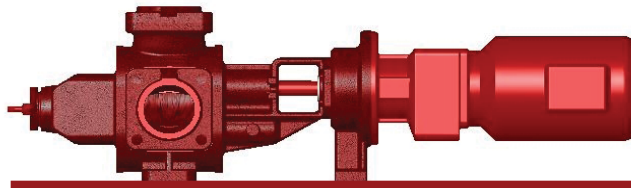
Pump Sizes 3635-4758

Bracket Kit Part Number: N47-101



* ABOVE DRAWING ILLUSTRATES RIGHT ANGLE PORT PUMPS ONLY

PUMP MODEL	K (MAX)	L	M	O	PORTS	S	X
*3635 & 3735 BH	[681] 26.80	[338] 13.31	[394] 15.50	[400] 15.75	3" NPT TAPPED	[160] 6.28	[175] 6.88
*3635 & 3735 BHRV				[427] 16.81	4" NPT FLANGED		[205] 8.06
*3635 & 3735 BHFRV				[440] 17.31	4" NPT FLANGED		[205] 8.06
*3658 & 3758 BHF	[430] 16.93	[346] 13.64					
*3658 & 3758 BHFRV	[755] 29.73	[374] 14.73	[430] 16.93	[346] 13.64			
4658 & 4758 BHF						[205] 8.06	
4658 & 4758 BHFRV							



Roper Pump Company
 P.O. Box 269 Commerce, GA 30529 USA
 Toll Free: 1-800-876-9160
 Tele: 706-335-5551 Fax: 706-335-5490
 sales@roperpumps.com

Visit Us On The WorldWide Web
www.roperpumps.com