

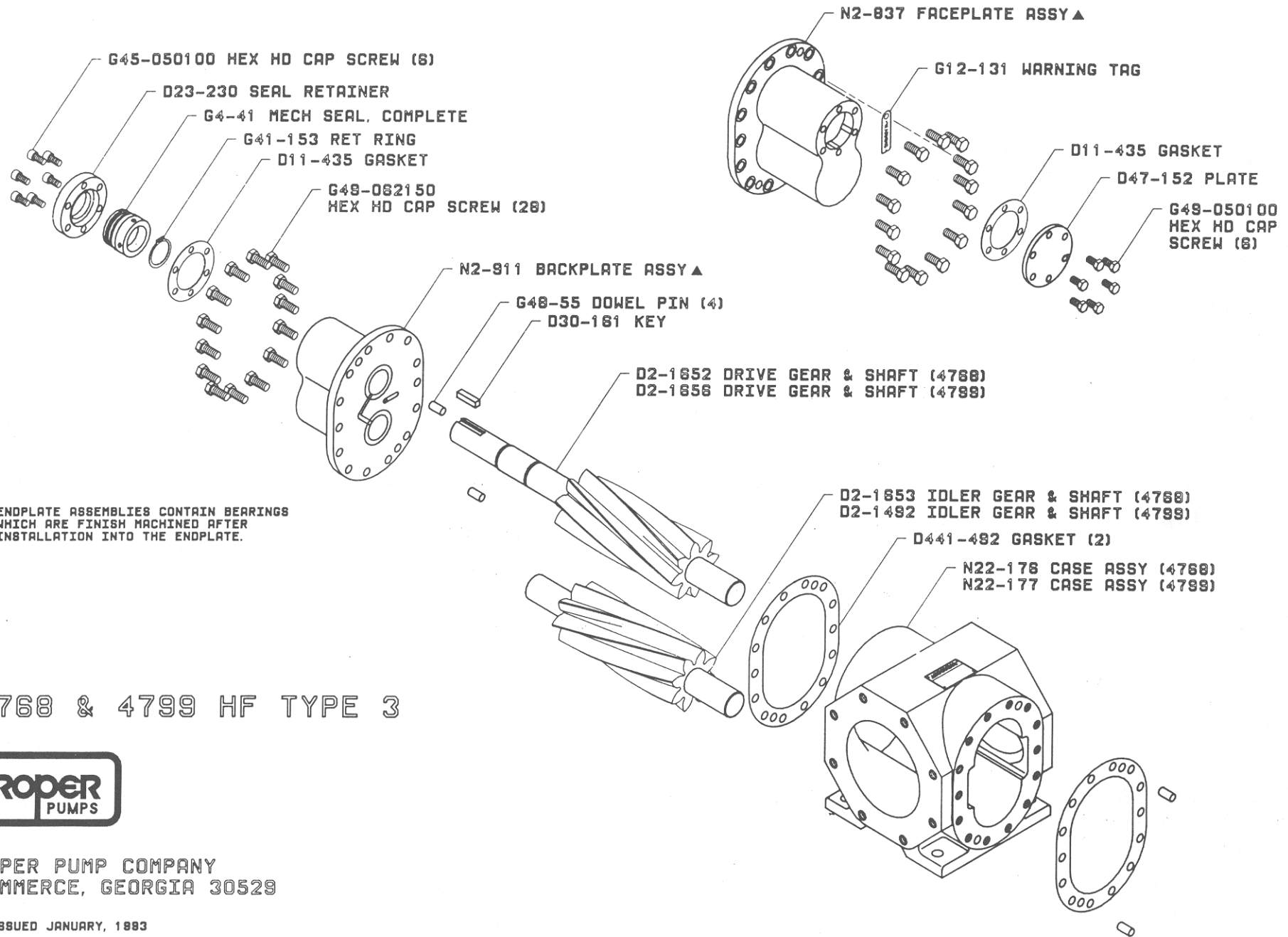
▲ ENDPLATE ASSEMBLIES CONTAIN BEARINGS WHICH ARE FINISH MACHINED AFTER INSTALLATION INTO THE ENDPLATE.

4688 & 4699 HF TYPE 3



ROPER PUMP COMPANY  
 COMMERCE, GEORGIA 30529

REISSUED JANUARY, 1983



▲ ENDPATE ASSEMBLIES CONTAIN BEARINGS WHICH ARE FINISH MACHINED AFTER INSTALLATION INTO THE ENDPATE.

4768 & 4799 HF TYPE 3



ROPER PUMP COMPANY  
 COMMERCE, GEORGIA 30529

REISSUED JANUARY, 1993