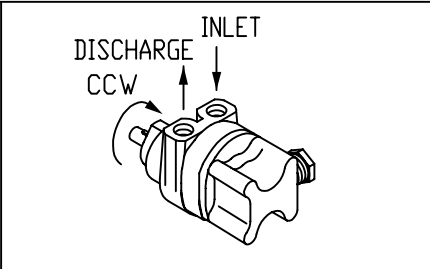
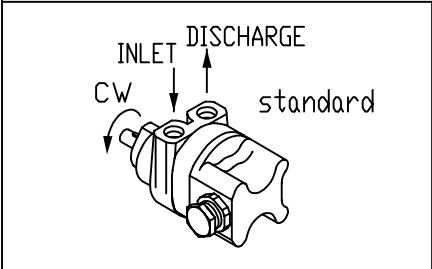


17 & 18 A005-02 ROTATION

LOW DRIVE ONLY



1 & 2 A03 ROTATION

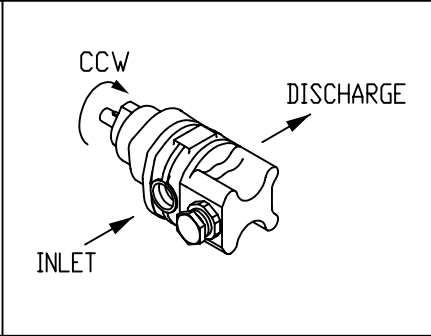
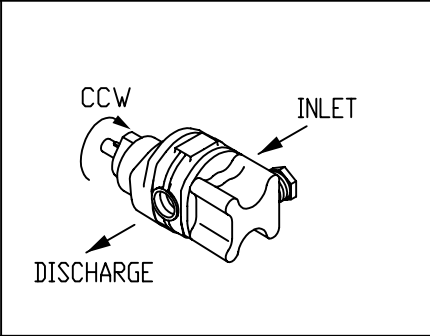
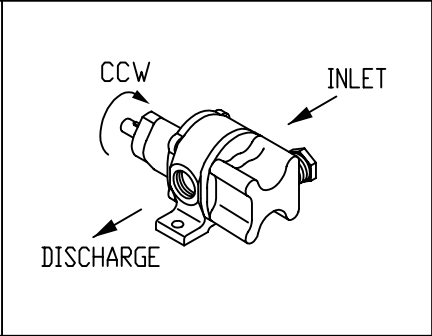
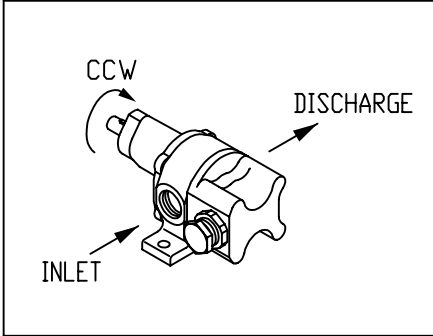
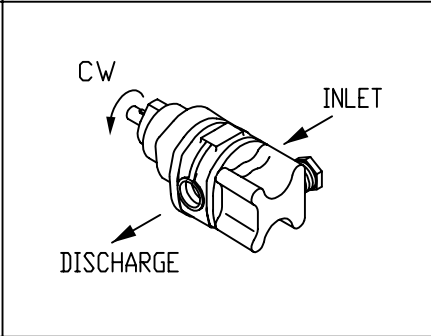
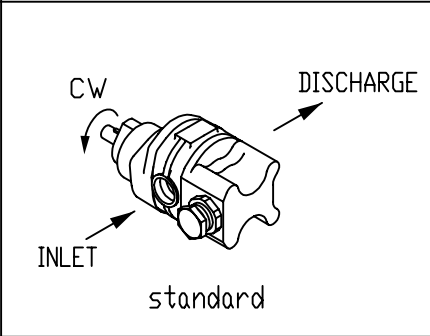
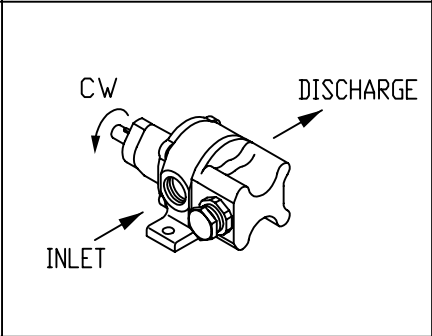
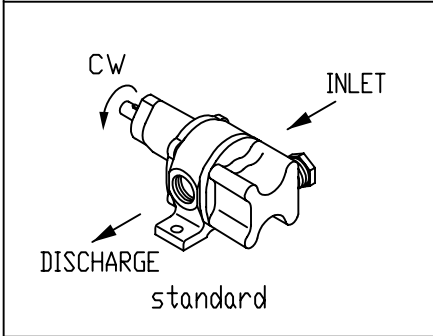
17 & 18 A03 ROTATION

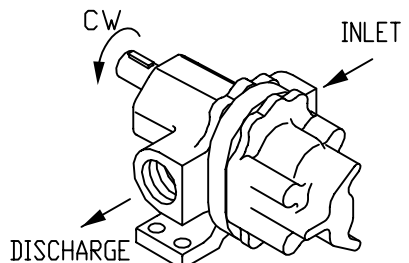
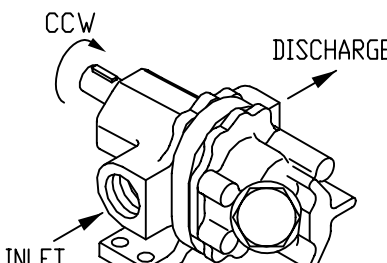
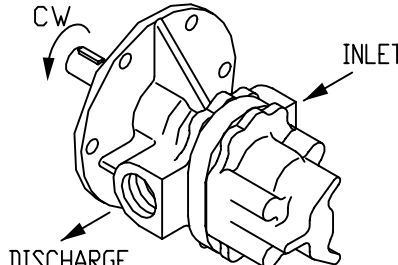
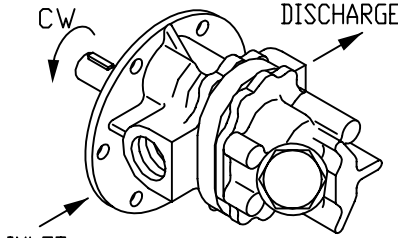
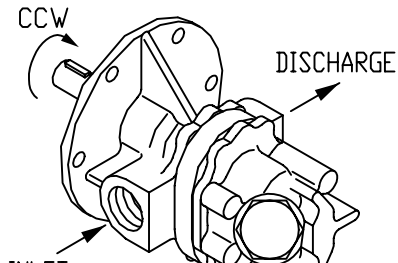
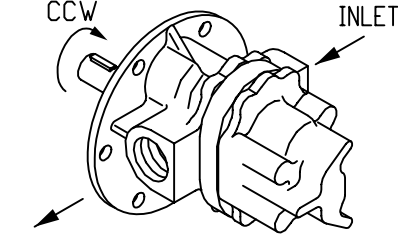
HIGH DRIVE

LOW DRIVE

LOW DRIVE

HIGH DRIVE



1 & 2 A06-16 ROTATION		17 & 18 A06-16 ROTATION	
HIGH DRIVE ONLY		HIGH DRIVE	LOW DRIVE
 <p>standard</p>		 <p>standard</p>	
			

1 & 2 A21-40 ROTATION		17 & 18 A21-40 ROTATION	
HIGH DRIVE	LOW DRIVE	HIGH DRIVE	LOW DRIVE
<p>standard CW INLET DISCHARGE</p>	<p>CW DISCHARGE INLET</p>	<p>standard CW INLET DISCHARGE</p>	<p>CW DISCHARGE INLET</p>
<p>CCW DISCHARGE INLET</p>	<p>CCW INLET DISCHARGE</p>	<p>CCW DISCHARGE INLET</p>	<p>CCW INLET DISCHARGE</p>