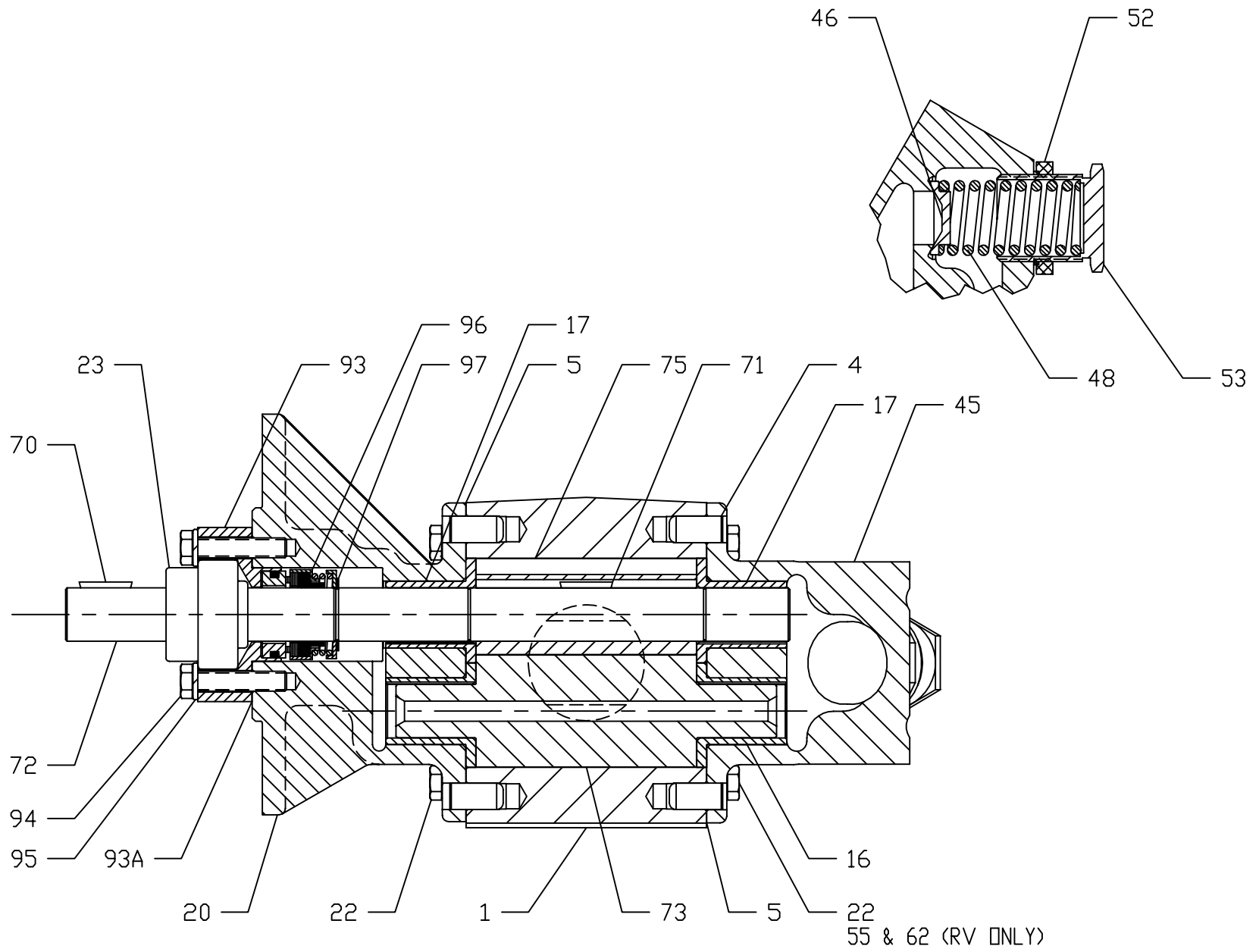


1 & 2AE19 - 29

## 1, 2 AE 19-29

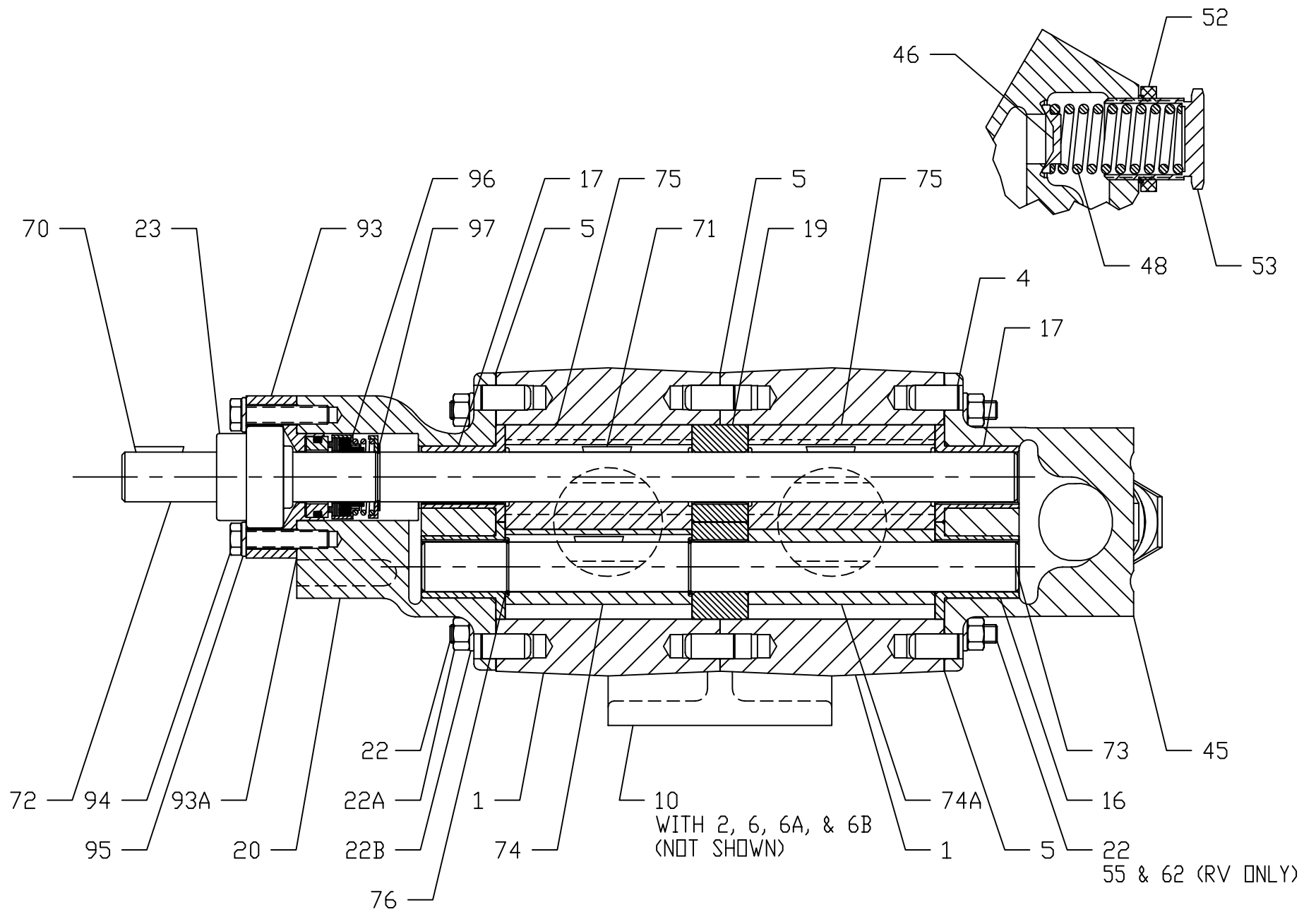
KEY NO.	DESCRIPTION	AE19		AE29	
		QTY	PART NO.	QTY	PART NO.
1	Case	1	P1-530	1	P1-531
4	Dowel Pin	4	D48-21	4	D48-21
5	Case Gasket	2	D11-257	2	D11-257
16	Bushing	1	G5-6	1	G5-6
17	Bushing	3	G5-471	1	G5-471
20	Backplate	1	P2-1230	1	P2-1230
22	Hex Hd Cap Screw, Plain	16	G49-037100	16	G49-037100
	Hex Hd Cap Screw, RV	12	G49-037100	12	G49-037100
23	Ball Brg	1	G40-41	1	G40-41
45	Faceplate, Plain	1	P3-574	1	P3-574
	Faceplate, RV	1	P3-575	1	P3-575
46	Poppet	1	D16-114	1	D16-114
48	Spring, Std Press	1	G10-399	1	G10-399
	Spring, High Press	1	G10-400	1	G10-400
52	Nut, Lock & Seal	1	G33-32	1	G33-32
53	Adjusting Screw	1	D15-44	1	D15-44
55	Hex Hd Cap Screw, RV	2	G49-037225	2	G49-037225
62	Hex Hd Cap Screw, RV	2	G49-037350	2	G49-037350
70	Key, Drive	1	D30-32	1	D30-32
71	Key, Gear	1	D30-32	1	D30-32
72	Drive Shaft	1	D1-1761	1	D1-1763
73	Idler Shaft & Gear	1	D2-1434	1	D2-1435
75	Gear, RH	1	D6-427	1	D6-40
93	Seal Retainer	1	P4-377	1	P4-377
93A	Gasket	1	D11-59	1	D11-59
94	Hex Hd Cap Screw	2	G49-037175	2	G49-037175
95	Lockwasher	2	G8-72	2	G8-72
96	Mech Seal, Complete	1	G14-338	1	G14-338
97	Ret Ring	1	G41-43	1	G41-43



17 & 18AE19 - 29

## 17, 18 AE 19-29

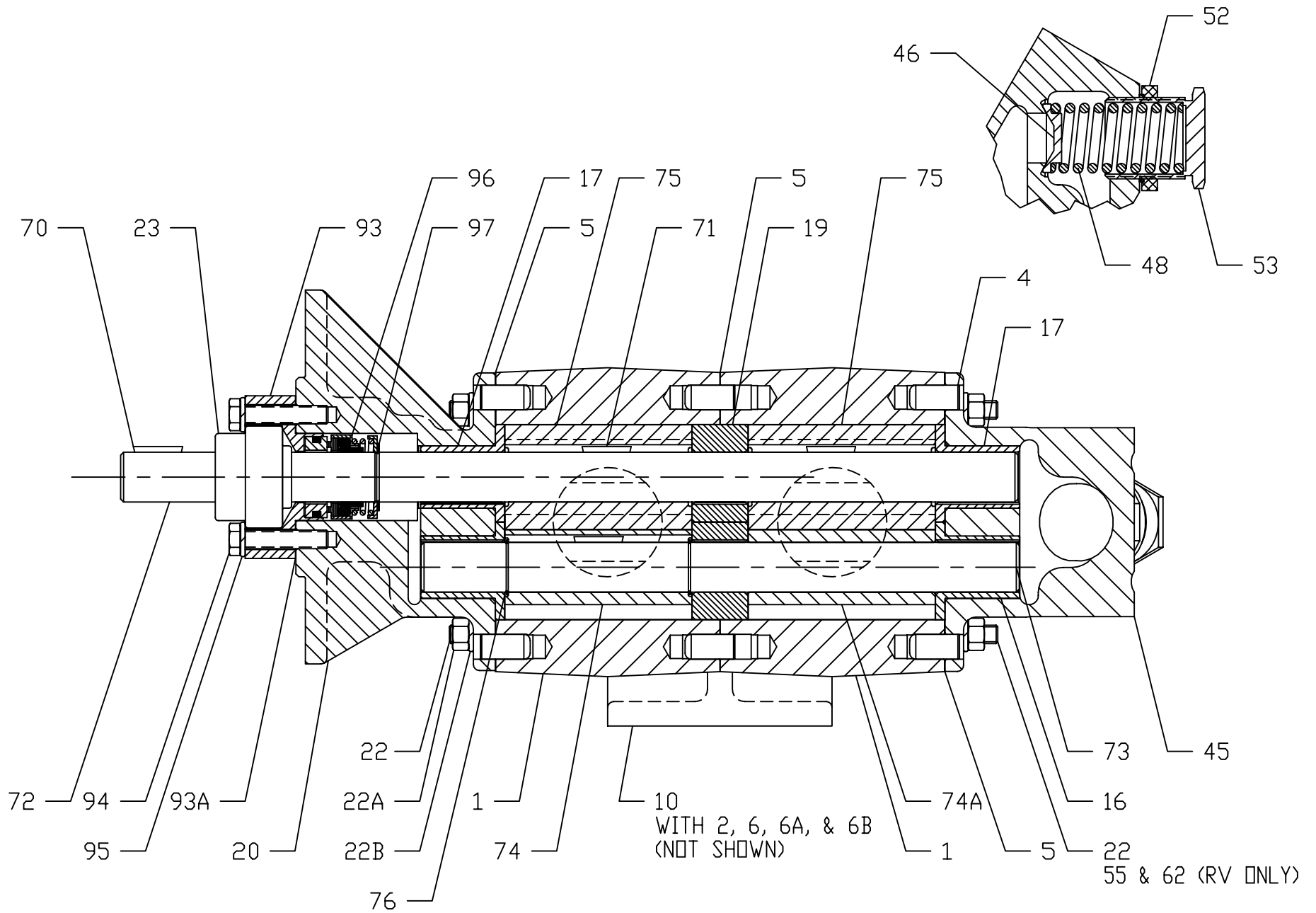
KEY NO.	DESCRIPTION	AE19		AE29	
		QTY	PART NO.	QTY	PART NO.
1	Case	1	P1-530	1	P1-531
4	Dowel Pin	4	D48-21	4	D48-21
5	Case Gasket	2	D11-257	2	D11-257
16	Bushing	1	G5-6	1	G5-6
17	Bushing	3	G5-471	1	G5-471
20	Backplate	1	P2-1256	1	P2-1256
22	Hex Hd Cap Screw, Plain	16	G49-037100	16	G49-037100
	Hex Hd Cap Screw, RV	12	G49-037100	12	G49-037100
23	Ball Brg	1	G40-41	1	G40-41
45	Faceplate, Plain	1	P3-574	1	P3-574
	Faceplate, RV	1	P3-575	1	P3-575
46	Poppet	1	D16-114	1	D16-114
48	Spring, Std Press	1	G10-399	1	G10-399
	Spring, High Press	1	G10-400	1	G10-400
52	Nut, Lock & Seal	1	G33-32	1	G33-32
53	Adjusting Screw	1	D15-44	1	D15-44
55	Hex Hd Cap Screw, RV	2	G49-037225	2	G49-037225
62	Hex Hd Cap Screw, RV	2	G49-037350	2	G49-037350
70	Key, Drive	1	D30-32	1	D30-32
71	Key, Gear	1	D30-32	1	D30-32
72	Drive Shaft	1	D1-1761	1	D1-1763
73	Idler Shaft & Gear	1	D2-1434	1	D2-1435
75	Gear, RH	1	D6-427	1	D6-40
93	Seal Retainer	1	P4-377	1	P4-377
93A	Gasket	1	D11-59	1	D11-59
94	Hex Hd Cap Screw	2	G49-037175	2	G49-037175
95	Lockwasher	2	G8-72	2	G8-72
96	Mech Seal, Complete	1	G14-338	1	G14-338
97	Ret Ring	1	G41-43	1	G41-43



1 & 2AE54

# 1, 2 AE 54

KEY NO.	DESCRIPTION	AE54	
		QTY	PART NO.
1	Case	2	P1-569
2	Gasket, Manifold	4	D11-250
4	Dowel Pin	6	D48-21
5	Case Gasket	4	D11-257
6	Hex Hd Cap Screw	4	G49-050125
6A	Hex Hd Cap Screw	12	G49-050350
6B	Washer	16	G8-414
10	Manifold	2	P84-2
16	Bushing	1	G5-6
17	Bushing	3	G5-471
19	Bushing	2	G5-626
20	Backplate	1	P2-1230
22	Stud, Plain	8	D22-16
	Stud, RV	4	D22-16
22A	Hex Nut	16	G44-037
22B	Lockwasher	16	G8-72
23	Ball Brg	1	G40-41
45	Faceplate, Plain	1	P3-574
	Faceplate, RV	1	P3-575
46	Poppet	1	D16-114
48	Spring, Std Press	1	G10-399
	Spring, High Press	1	G10-400
52	Nut, Lock & Seal	1	G33-32
53	Adjusting Screw	1	D15-44
55	Stud, RV	2	D22-145
62	Stud, RV	2	D22-146
70	Key, Drive	1	D30-32
71	Key, Gear	3	D30-32
72	Drive Shaft	1	D1-357
73	Idler Shaft	1	D1-1769
74	Gear, LH	1	D6-372
74A	Gear, LH	1	D6-657
75	Gear, RH	2	D6-649
76	Ret Ring	2	G41-148
93	Seal Retainer	1	P4-377
93A	Gasket	1	D11-59
94	Hex Hd Cap Screw	2	G49-037175
95	Lockwasher	2	G8-72
96	Mech Seal, Complete	1	G14-338
97	Ret Ring	1	G41-43

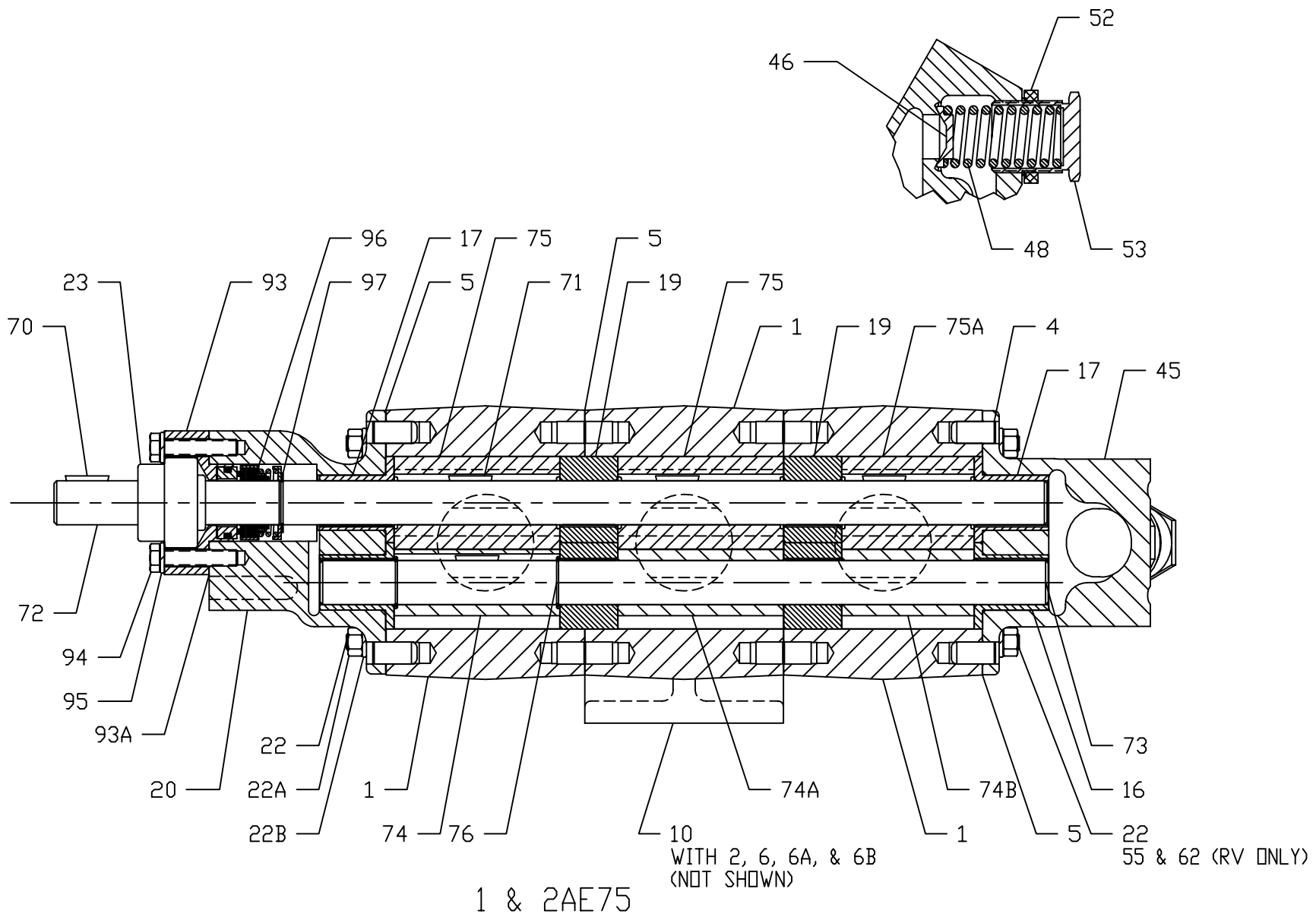


17 & 18AE54

## 17, 18 AE 54

KEY NO.	DESCRIPTION	AE54	
		QTY	PART NO.
1	Case	2	P1-569
2	Gasket, Manifold	4	D11-250
4	Dowel Pin	6	D48-21
5	Case Gasket	4	D11-257
6	Hex Hd Cap Screw	4	G49-050125
6A	Hex Hd Cap Screw	12	G49-050350
6B	Washer	16	G8-414
10	Manifold	2	P84-2
16	Bushing	1	G5-6
17	Bushing	3	G5-471
19	Bushing	2	G5-626
20	Backplate	1	P2-1256
22	Stud, Plain	8	D22-16
	Stud, RV	4	D22-16
22A	Hex Nut	16	G44-037
22B	Lockwasher	16	G8-72
23	Ball Brg	1	G40-41
45	Faceplate, Plain	1	P3-574
	Faceplate, RV	1	P3-575
46	Poppet	1	D16-114
48	Spring, Std Press	1	G10-399
	Spring, High Press	1	G10-400
52	Nut, Lock & Seal	1	G33-32
53	Adjusting Screw	1	D15-44
55	Stud, RV	2	D22-145
62	Stud, RV	2	D22-146
70	Key, Drive	1	D30-32
71	Key, Gear	3	D30-32
72	Drive Shaft	1	D1-357
73	Idler Shaft	1	D1-1769
74	Gear, LH	1	D6-372
74A	Gear, LH	1	D6-657
75	Gear, RH	2	D6-649
76	Ret Ring	2	G41-148
93	Seal Retainer	1	P4-377
93A	Gasket	1	D11-59
94	Hex Hd Cap Screw	2	G49-037175
95	Lockwasher	2	G8-72
96	Mech Seal, Complete	1	G14-338
97	Ret Ring	1	G41-43





# 1, 2 AE 75

KEY NO.	DESCRIPTION	AE75	
		QTY	PART NO.
1	Case	3	P1-569
2	Gasket, Manifold	6	D11-250
4	Dowel Pin	4	D48-21
5	Case Gasket	6	D11-257
6	Hex Hd Cap Screw	8	G49-050125
6A	Hex Hd Cap Screw	8	G49-050350
6B	Washer	16	G8-414
10	Manifold	2	P84-3
16	Bushing	1	G5-6
17	Bushing	3	G5-471
19	Bushing	4	G5-481
20	Backplate	1	P2-1230
22	Stud, Plain	8	D22-18
	Stud, RV	4	D22-18
22A	Hex Nut	16	G44-037
22B	Lockwasher	16	G8-72
23	Ball Brg	1	G40-41
45	Faceplate, Plain	1	P3-574
	Faceplate, RV	1	P3-575
46	Poppet	1	D16-114
48	Spring, Std Press	1	G10-399
	Spring, High Press	1	G10-400
52	Nut, Lock & Seal	1	G33-32
53	Adjusting Screw	1	D15-44
55	Stud, RV	2	D22-147
62	Stud, RV	2	D22-148
70	Key, Drive	1	D30-32
71	Key, Gear	4	D30-32
72	Drive Shaft	1	D1-123
73	Idler Shaft	1	D1-1770
74	Gear, LH	1	D6-657
74A	Gear, LH	1	D6-371
74B	Gear, LH	1	D6-372
75	Gear, RH	2	D6-649
75A	Gear, RH	1	D6-648
76	Ret Ring	2	G41-148
93	Seal Retainer	1	P4-377
93A	Gasket	1	D11-59
94	Hex Hd Cap Screw	2	G49-037175
95	Lockwasher	2	G8-72
96	Mech Seal, Complete	1	G14-338
97	Ret Ring	1	G41-43