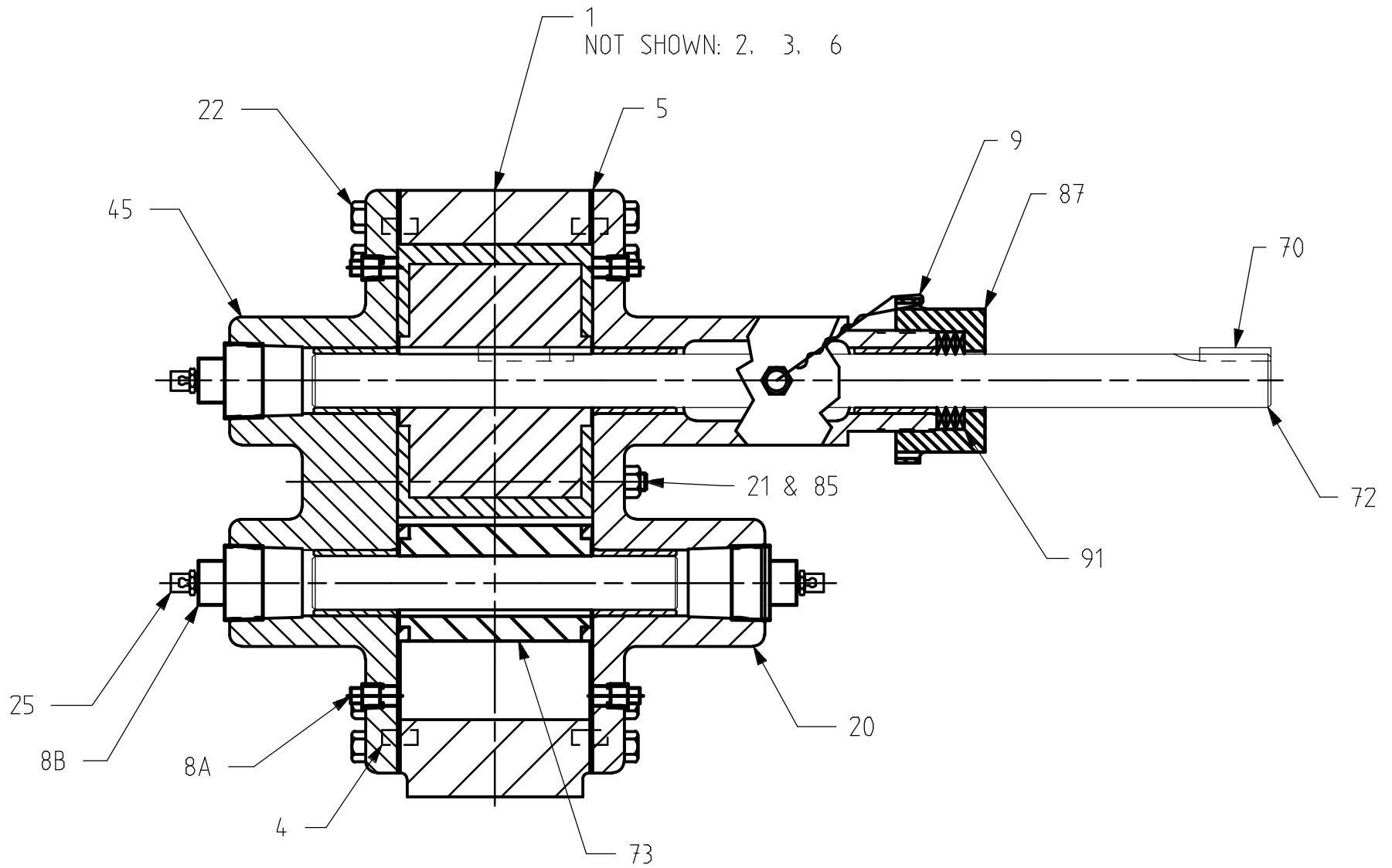


# 5658HF



## 5658 HF

| KEY NO. | DESCRIPTION                  | 5658 |            |
|---------|------------------------------|------|------------|
|         |                              | QTY  | PART NO.   |
| 1       | Case                         | 1    | N22-227    |
| 2       | Gasket, Flange               | 2    | D11-615    |
| 3       | Flange                       | 2    | P23-151    |
| 4       | Dowel Pin                    | 4    | G48-42     |
| 5       | Case Gasket                  | 10   | D11-614    |
| 6       | Hex Hd Cap Screw             | 8    | G49-043150 |
| 8A      | Pipe Plug                    | 4    | G56-12     |
| 8B      | Pipe Plug                    | 3    | G56-82     |
| 9       | Lockwire                     | 1    | G58-28     |
| 20      | Backplate Assy, Brz Brgs     | 1    | N2-1529    |
| 21      | Stud                         |      | N/A        |
| 22      | Hex Hd Cap Screw             | 24   | G49-037125 |
| 25      | Lube Fitting                 | 4    | G63-3      |
| 45      | Faceplate Assy               | 1    | N3-730     |
| 70      | Key, Drive                   | 1    | D30-9      |
| 72      | Drive Gear, Shaft & Key Assy | 1    | N1-917     |
| 73      | Idler Gear & Shaft Assy **   | 1    | N1-918     |
| 85      | Nut                          |      | N/A        |
| 87      | Pkg Gland                    | 1    | P10-221    |
| 91      | Pkg Rings                    | 3    | G14-846    |

\*\* Key not required, gear is pressed onto splined idler shaft

N2-1529 Backplate Assy includes Brz Brgs: (3) G5-941

N3-730 Faceplate Assy includes Brz Brgs: (2) G5-941

