

PROPRIETARY NOTICE: THIS DOCUMENT CONTAINS PROPRIETARY AND CONFIDENTIAL INFORMATION WHICH IS THE EXCLUSIVE PROPERTY OF ROPER PUMP COMPANY, COMMERCE, GEORGIA AND SHALL NOT BE COMMUNICATED, DISCLOSED, OR REPRODUCED WITHOUT WRITTEN CONSENT OF MANAGEMENT AND SHALL NOT BE DISCLOSED IN ANY MANNER TO OUTSIDE PARTIES WITHOUT PRIOR WRITTEN CONSENT OF MANAGEMENT.

CERTIFIED DIMENSIONALLY CORRECT FOR:

CUSTOMER  
CUSTOMER P.O.  
BY

ROPER S.O.  
DATE

DO NOT SCALE  
DIMS IN INCHES [MM]



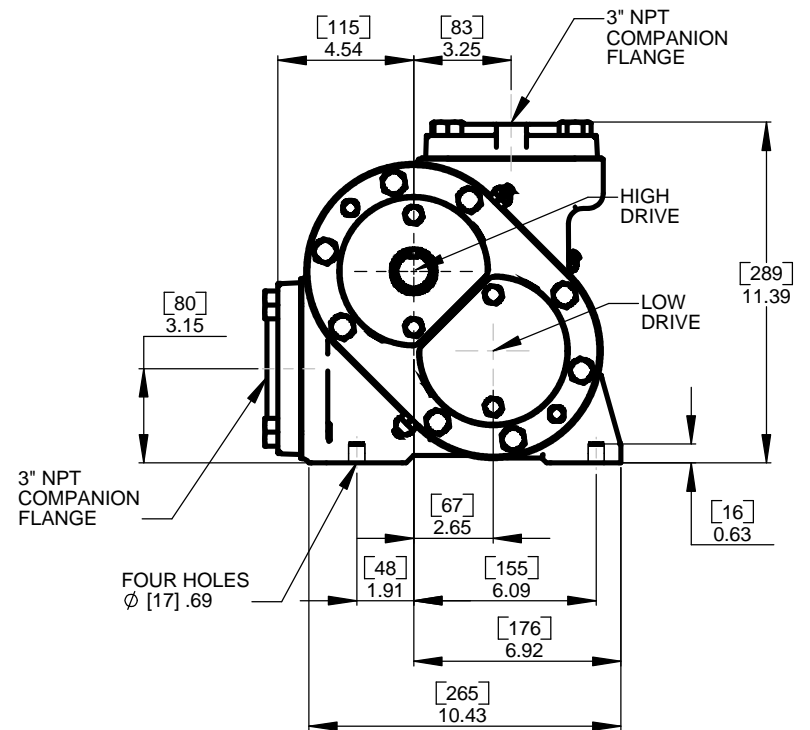
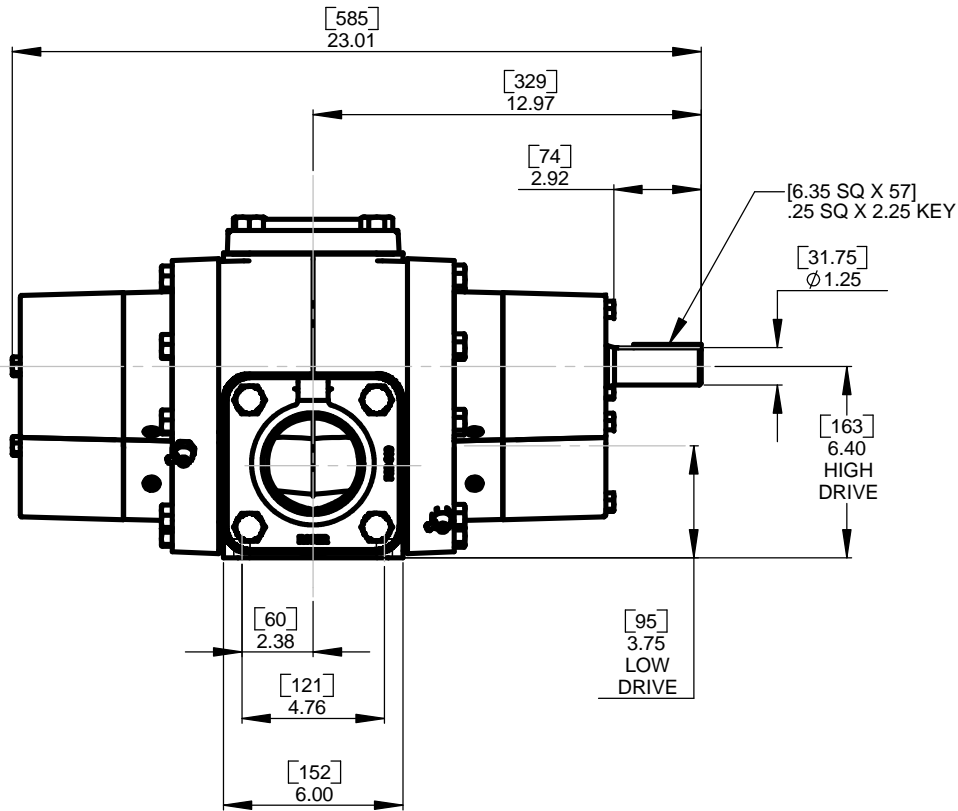
COMMERCE, GA  
U.S.A.

FIGURE  
3832F

SPEC

TYPE  
3

VPW	DATE	1-19-04	REV	
-----	------	---------	-----	--



PROPRIETARY NOTICE: THIS DOCUMENT CONTAINS PROPRIETARY AND CONFIDENTIAL INFORMATION WHICH IS THE EXCLUSIVE PROPERTY OF ROPER PUMP COMPANY, COMMERCE, GEORGIA AND SHALL NOT BE COMMUNICATED, DISCLOSED, OR REPRODUCED WITHOUT WRITTEN CONSENT OF MANAGEMENT AND SHALL NOT BE DISCLOSED IN ANY MANNER TO OUTSIDE PARTIES WITHOUT PRIOR WRITTEN CONSENT OF MANAGEMENT.

CERTIFIED DIMENSIONALLY CORRECT FOR:

CUSTOMER  
CUSTOMER P.O.  
BY

ROPER S.O.  
DATE

DO NOT SCALE  
DIMS IN INCHES [MM]

PROJECTION

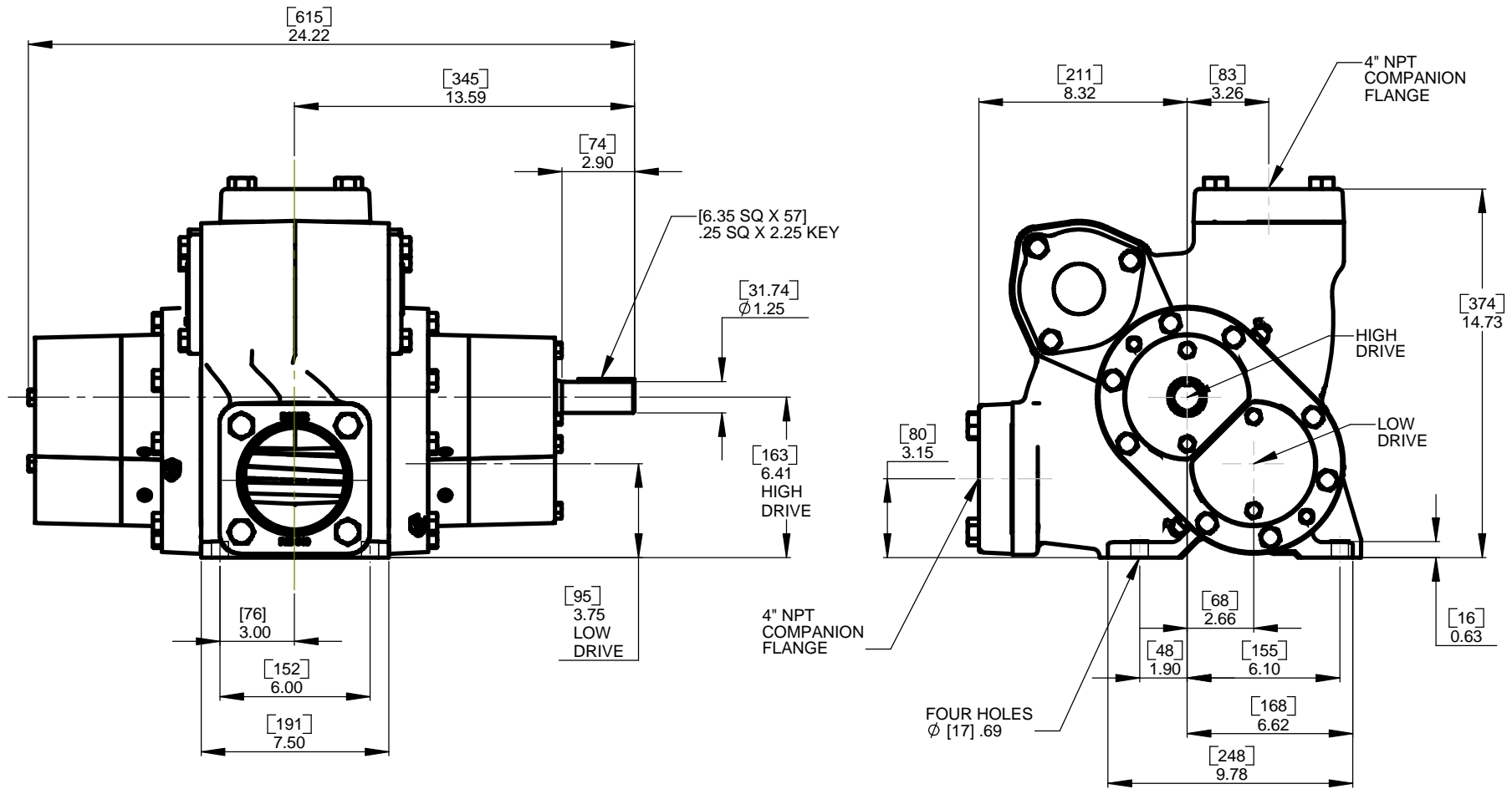


FIGURE  
3843F

SPEC

TYPE  
3

VPW	DATE	6-17-02	REV	
-----	------	---------	-----	--



PROPRIETARY NOTICE: THIS DOCUMENT CONTAINS PROPRIETARY AND CONFIDENTIAL INFORMATION WHICH IS THE EXCLUSIVE PROPERTY OF ROPER PUMP COMPANY, COMMERCE, GEORGIA AND SHALL NOT BE COMMUNICATED, DISCLOSED, OR REPRODUCED WITHOUT WRITTEN CONSENT OF MANAGEMENT AND SHALL NOT BE DISCLOSED IN ANY MANNER TO OUTSIDE PARTIES WITHOUT PRIOR WRITTEN CONSENT OF MANAGEMENT.

**CERTIFIED DIMENSIONALLY CORRECT FOR:**

CUSTOMER  
CUSTOMER P.O.  
BY

ROPER S.O.  
DATE

DO NOT SCALE  
DIMS IN INCHES [MM]

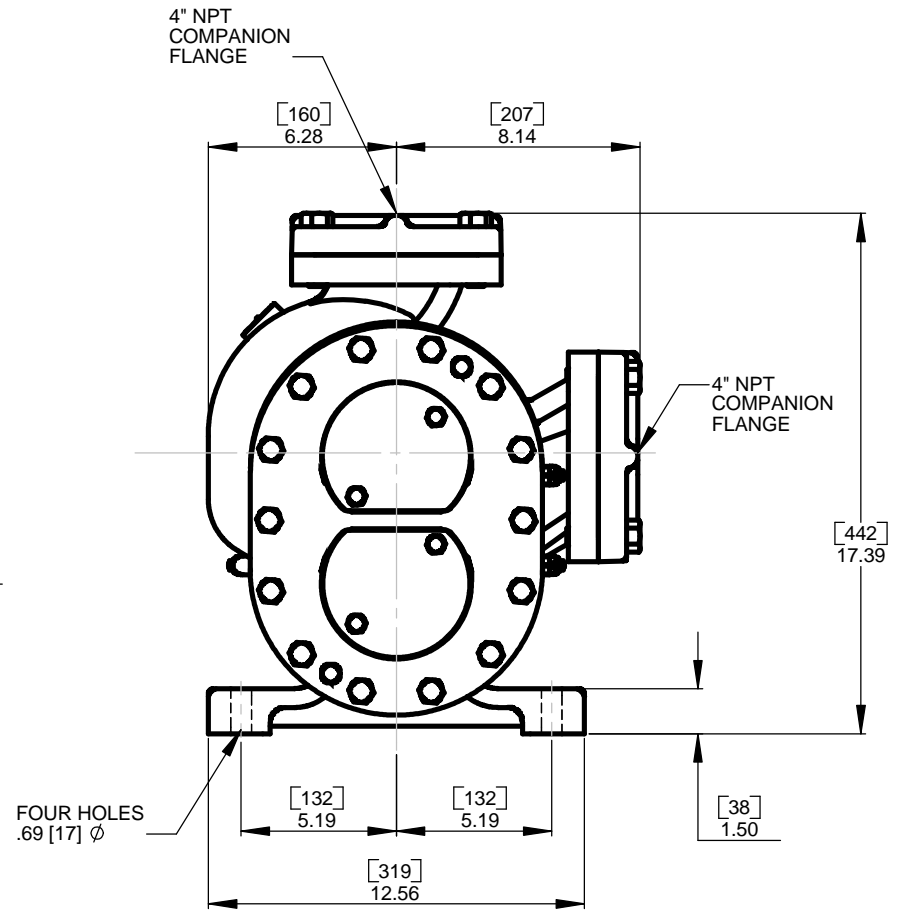
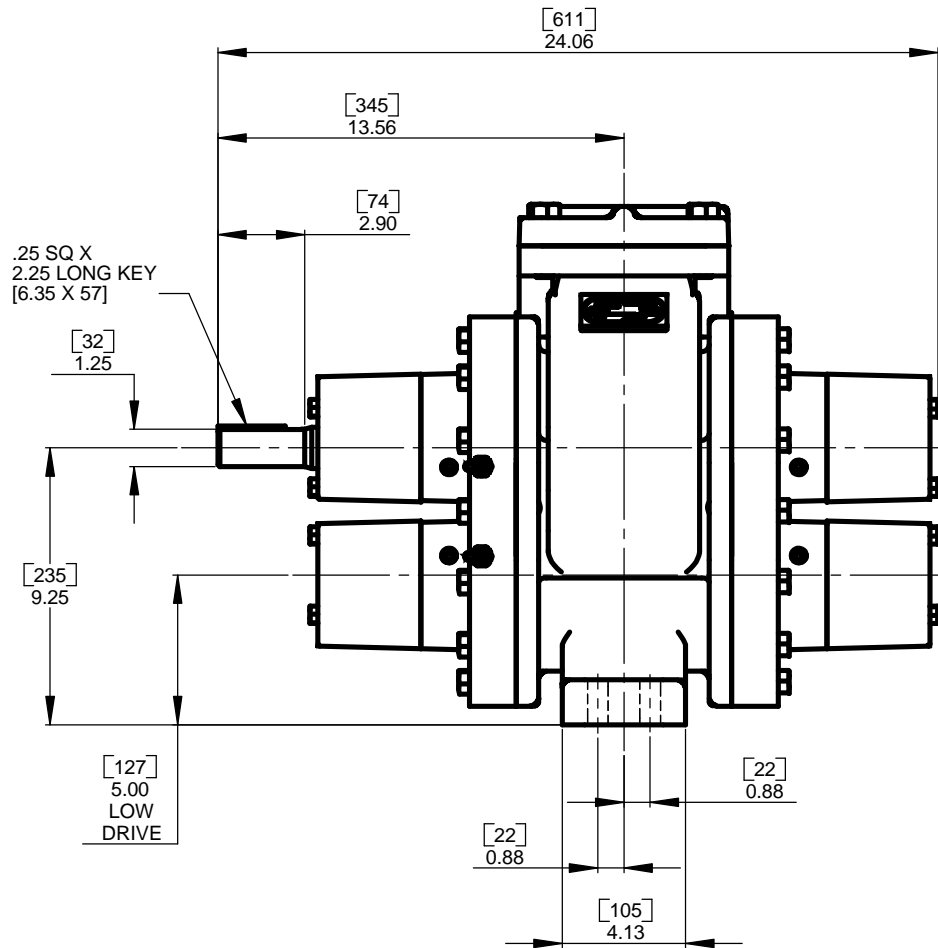
PROJECTION



FIGURE  
3848F

SPEC

TYPE  
3



PROPRIETARY NOTICE: THIS DOCUMENT CONTAINS PROPRIETARY AND CONFIDENTIAL INFORMATION WHICH IS THE EXCLUSIVE PROPERTY OF ROPER PUMP COMPANY, COMMERCE, GEORGIA AND SHALL NOT BE COMMUNICATED, DISCLOSED, OR REPRODUCED WITHOUT WRITTEN CONSENT OF MANAGEMENT AND SHALL NOT BE DISCLOSED IN ANY MANNER TO OUTSIDE PARTIES WITHOUT PRIOR WRITTEN CONSENT OF MANAGEMENT.

**CERTIFIED DIMENSIONALLY CORRECT FOR:**  
 CUSTOMER  
 CUSTOMER P.O.  
 BY

ROPER S.O.  
 DATE

DO NOT SCALE  
 DIMS IN INCHES [MM]  
 PROJECTION



FIGURE  
 3858F

SPEC

TYPE  
 3