

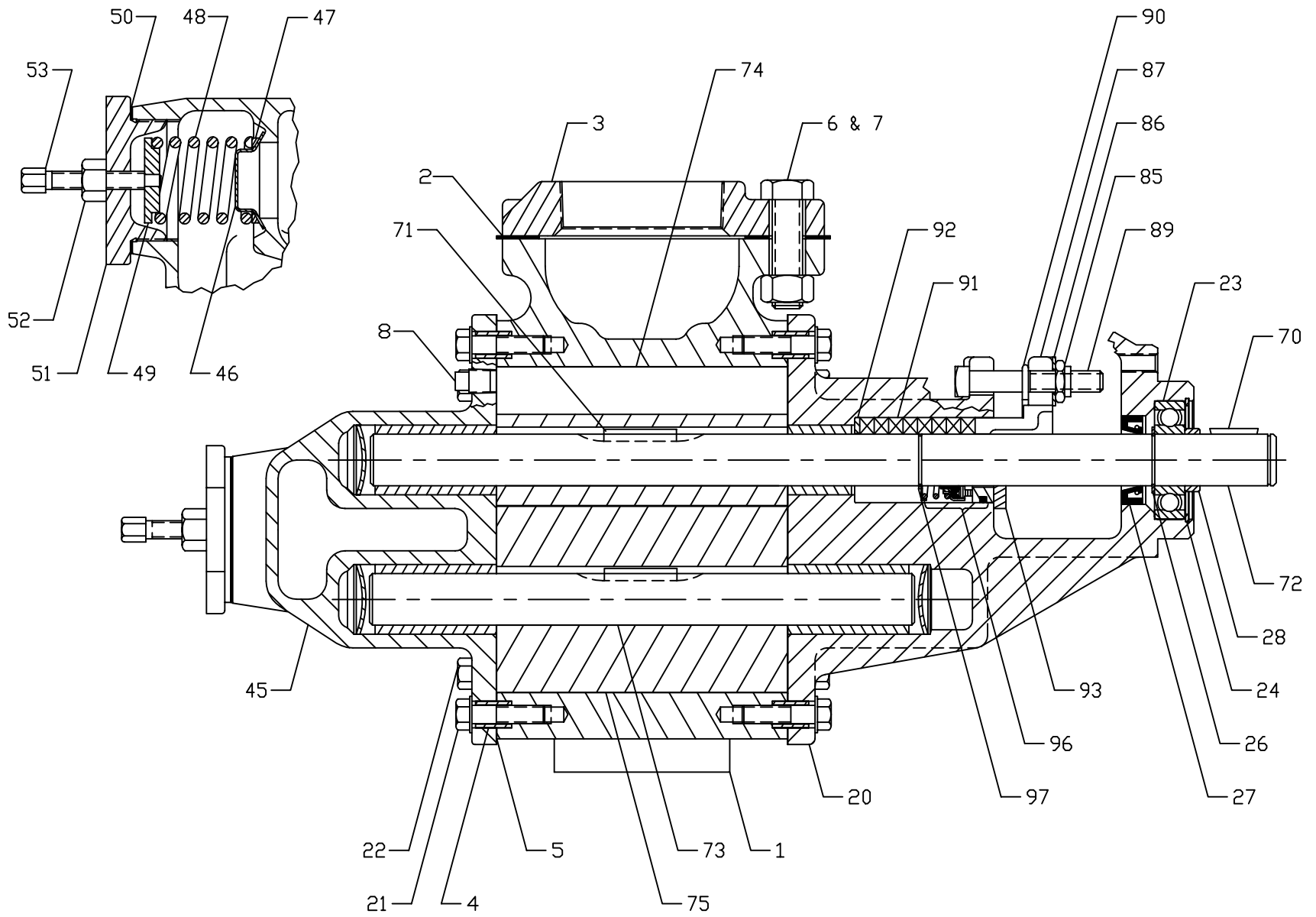
3611-4722 BH,F,RV

3611-4722 BH,F,RV

KEY NO.	DESCRIPTION	3611-4711		3617-4717		3622-4722	
		QTY	PART NO.	QTY	PART NO.	QTY	PART NO.
1	Case (36xx-37xx BH)	1	P1-178	1	P1-177	1	N/A
	Case (36xx-37xx BHF)	1	P1-401	1	P1-402	1	P1-175
	Case (46xx-47xx BHF)	1	P1-170	1	P1-181	1	P1-171
2	Gasket, Flange	2	D11-333	2	D11-332	2	D11-90
3	Flange (36xx-37xx)	2	P23-30	2	P23-12	2	P23-10
	Flange (46xx-47xx)	2	P23-30	2	P23-35	2	P23-19
4	Dowel Pin	4	D48-34	4	D48-34	4	D48-34
5	Case Gasket	2	D11-338	2	D11-338	2	D11-338
6	Hex Hd Cap Screw	8	G49-050150	8	G49-050125	8	G49-062225
7	Nut, Flange		N/A		N/A	8	G44-062
8	Pipe Plug	2	G56-12	2	G56-12	2	G56-12
20	Backplate Assy, Brz Brgs	1	N2-1312	1	N2-1312	1	N2-1312
21	Washer Hd Cap Screw	4	G49-24	4	G49-24	4	G49-24
22	Hex Hd Cap Screw	16	G49-037100	16	G49-037100	16	G49-037100
45	Faceplate Assy, Plain, Brz Brgs	1	N3-177	1	N3-177	1	N3-177
	Faceplate Assy, RV, Brz Brgs	1	N3-200	1	N3-200	1	N3-200
46	Poppet	1	D16-16	1	D16-16	1	D16-16
47	Adapter	1	G8-281	1	G8-281	1	G8-281
48	Spring, Std Press	1	G10-355	1	G10-355	1	G10-355
	Spring, High Press	1	G10-375	1	G10-375	1	G10-375
49	Spring Guide	1	D8-348	1	D8-348	1	D8-348
50	Gasket, RV Cap	1	D828-41	1	D828-41	1	D828-41
51	RV Cap	1	P17-110	1	P17-110	1	P17-110
52	Nut, Lock & Seal	1	G43-18	1	G43-18	1	G43-18
53	Adjusting Screw	1	G62-44	1	G62-44	1	G62-44
70	Key, Drive	1	D30-32	1	D30-32	1	D30-32
71	Key, Gear	2	D30-9	2	D30-9	2	D30-9
72	Drive Shaft	1	D1-2424	1	D1-2425	1	D1-2426
73	Idler Shaft	1	D1-1098	1	D1-1100	1	D1-1077
74	Gear, LH	1	P6-418	1	P6-414	1	P6-430
75	Gear, RH	1	P6-275	1	P6-273	1	P6-277
76	Ret Ring	2	G41-108	2	G41-108	2	G41-108
85	Locknut	2	D441-755	2	D441-755	2	D441-755
86	Pkg Gland Clip	2	D42-1	2	D42-1	2	D42-1
87	Pkg Gland	1	P10-178	1	P10-178	1	P10-178
89	Sq Hd Bolt, Pkg	2	G67-043250	2	G67-043250	2	G67-043250
	Sq Hd Bolt, Mech Seal	2	G67-043125	2	G67-043125	2	G67-043125
90	Spring Clip	1	D42-2	1	D42-2	1	D42-2
91	Pkg Set	1	N43-1	1	N43-1	1	N43-1
92	Pkg Washer	1	G8-246	1	G8-246	1	G8-246
93	Seal Retainer	1	D23-252	1	D23-252	1	D23-252
96	Mech Seal, Complete	1	G4-101	1	G4-101	1	G4-101
97	Ret Ring	1	G41-76	1	G41-76	1	G41-76
99	Seal Locator Ring	1	D8-443	1	D8-443	1	D8-443

Backplate Assy includes Brz Brgs: (1) G5-257 and (1) G5-258

Faceplate Assy includes Brz Brgs: (2) G5-257



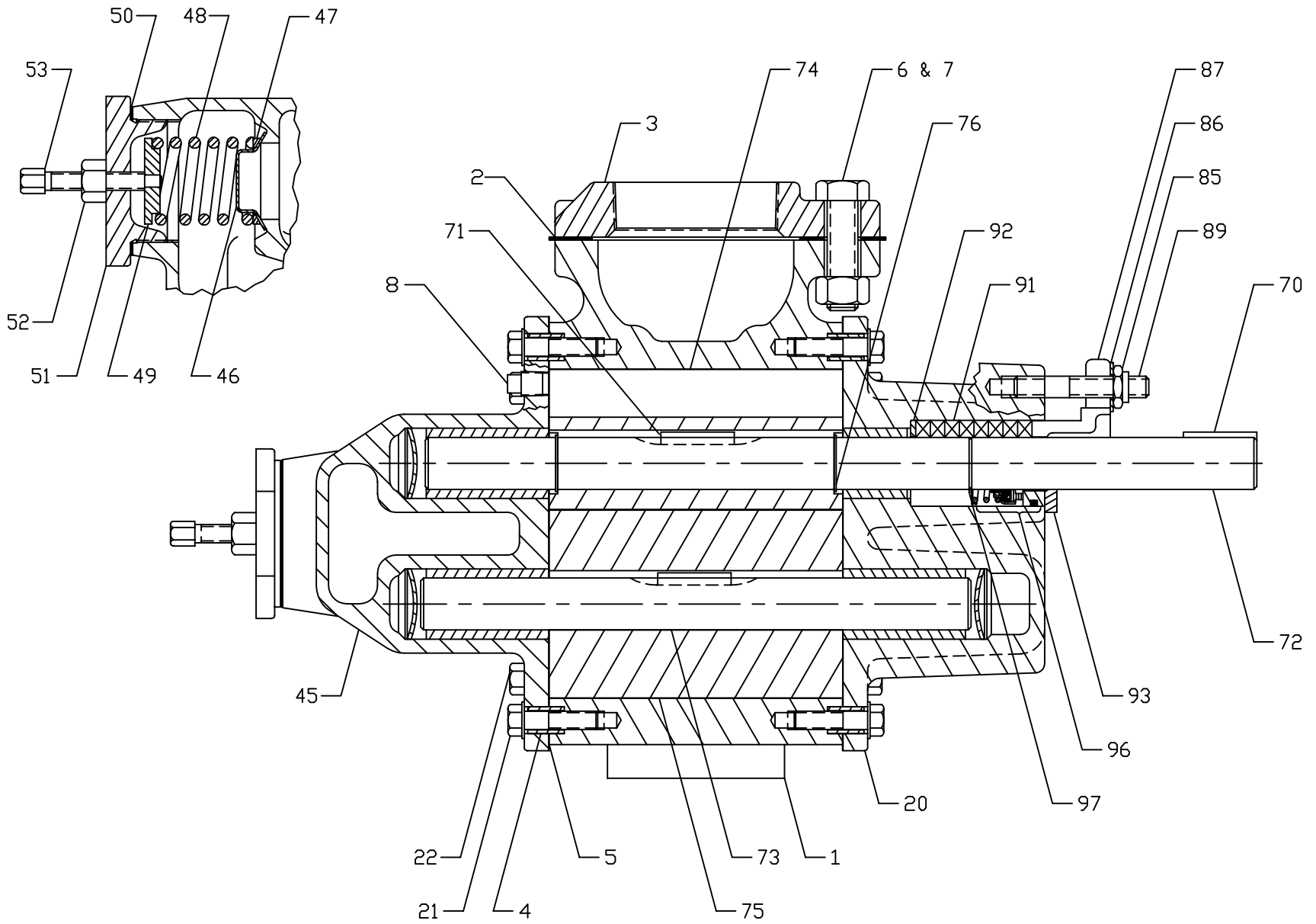
3611-4722 GHB,F,□,RV

3611-4722 GHB,F,O,RV

KEY NO.	DESCRIPTION	3611-4711		3617-4717		3622-4722	
		QTY	PART NO.	QTY	PART NO.	QTY	PART NO.
1	Case (36xx-37xx GHB)	1	P1-178	1	P1-177	1	N/A
	Case (36xx-37xx GHBF)	1	P1-401	1	P1-402	1	P1-175
	Case (46xx-47xx GHBF)	1	P1-170	1	P1-181	1	P1-171
2	Gasket, Flange	2	D11-333	2	D11-332	2	D11-90
3	Flange (36xx-37xx)	2	P23-30	2	P23-12	2	P23-10
	Flange (46xx-47xx)	2	P23-30	2	P23-35	2	P23-19
4	Dowel Pin	4	D48-34	4	D48-34	4	D48-34
5	Case Gasket	2	D11-338	2	D11-338	2	D11-338
6	Hex Hd Cap Screw	8	G49-050150	8	G49-050125	8	G49-062225
7	Nut, Flange		N/A		N/A	8	G44-062
8	Pipe Plug	2	G56-12	2	G56-12	2	G56-12
20	Backplate Assy, Brz Brgs	1	N2-406	1	N2-406	1	N2-406
21	Washer Hd Cap Screw	4	G49-24	4	G49-24	4	G49-24
22	Hex Hd Cap Screw	16	G49-037100	16	G49-037100	16	G49-037100
23	Ball Brg	1	G40-147	1	G40-147	1	G40-147
24	Ret Ring	1	G41-20	1	G41-20	1	G41-20
26	Ret Ring	1	G41-76	1	G41-76	1	G41-76
27	Lip Seal	1	D83-5	1	D83-5	1	D83-5
28	Spacer	1	D45-100	1	D45-100	1	D45-100
45	Faceplate Assy, Plain, Brz Brgs	1	N3-177	1	N3-177	1	N3-177
	Faceplate Assy, RV, Brz Brgs	1	N3-200	1	N3-200	1	N3-200
46	Poppet	1	D16-16	1	D16-16	1	D16-16
47	Adapter	1	G8-281	1	G8-281	1	G8-281
48	Spring, Std Press	1	G10-355	1	G10-355	1	G10-355
	Spring, High Press	1	G10-375	1	G10-375	1	G10-375
49	Spring Guide	1	D8-348	1	D8-348	1	D8-348
50	Gasket, RV Cap	1	D828-41	1	D828-41	1	D828-41
51	RV Cap	1	P17-110	1	P17-110	1	P17-110
52	Nut, Lock & Seal	1	G43-18	1	G43-18	1	G43-18
53	Adjusting Screw	1	G62-44	1	G62-44	1	G62-44
70	Key, Drive	1	D30-32	1	D30-32	1	D30-32
71	Key, Gear	2	D30-9	2	D30-9	2	D30-9
72	Drive Shaft	1	D1-2074	1	D1-2075	1	D1-2001
73	Idler Shaft	1	D1-1098	1	D1-1100	1	D1-1077
74	Gear, LH	1	P6-276	1	P6-274	1	P6-278
75	Gear, RH	1	P6-275	1	P6-273	1	P6-277
85	Locknut	2	D441-755	2	D441-755	2	D441-755
86	Pkg Gland Clip	2	D42-1	2	D42-1	2	D42-1
87	Pkg Gland	1	P10-178	1	P10-178	1	P10-178
89	Sq Hd Bolt, Pkg	2	G67-043250	2	G67-043250	2	G67-043250
	Sq Hd Bolt, Mech Seal	2	G67-043125	2	G67-043125	2	G67-043125
90	Spring Clip	1	D42-2	1	D42-2	1	D42-2
91	Pkg Set	1	N43-1	1	N43-1	1	N43-1
92	Pkg Washer	1	G8-246	1	G8-246	1	G8-246
93	Seal Retainer	1	D23-252	1	D23-252	1	D23-252
96	Mech Seal, Complete	1	G4-101	1	G4-101	1	G4-101
97	Ret Ring	1	G41-76	1	G41-76	1	G41-76

Backplate Assy includes Brz Brgs: (1) G5-257 and (1) G5-258

Faceplate Assy includes Brz Brgs: (2) G5-257



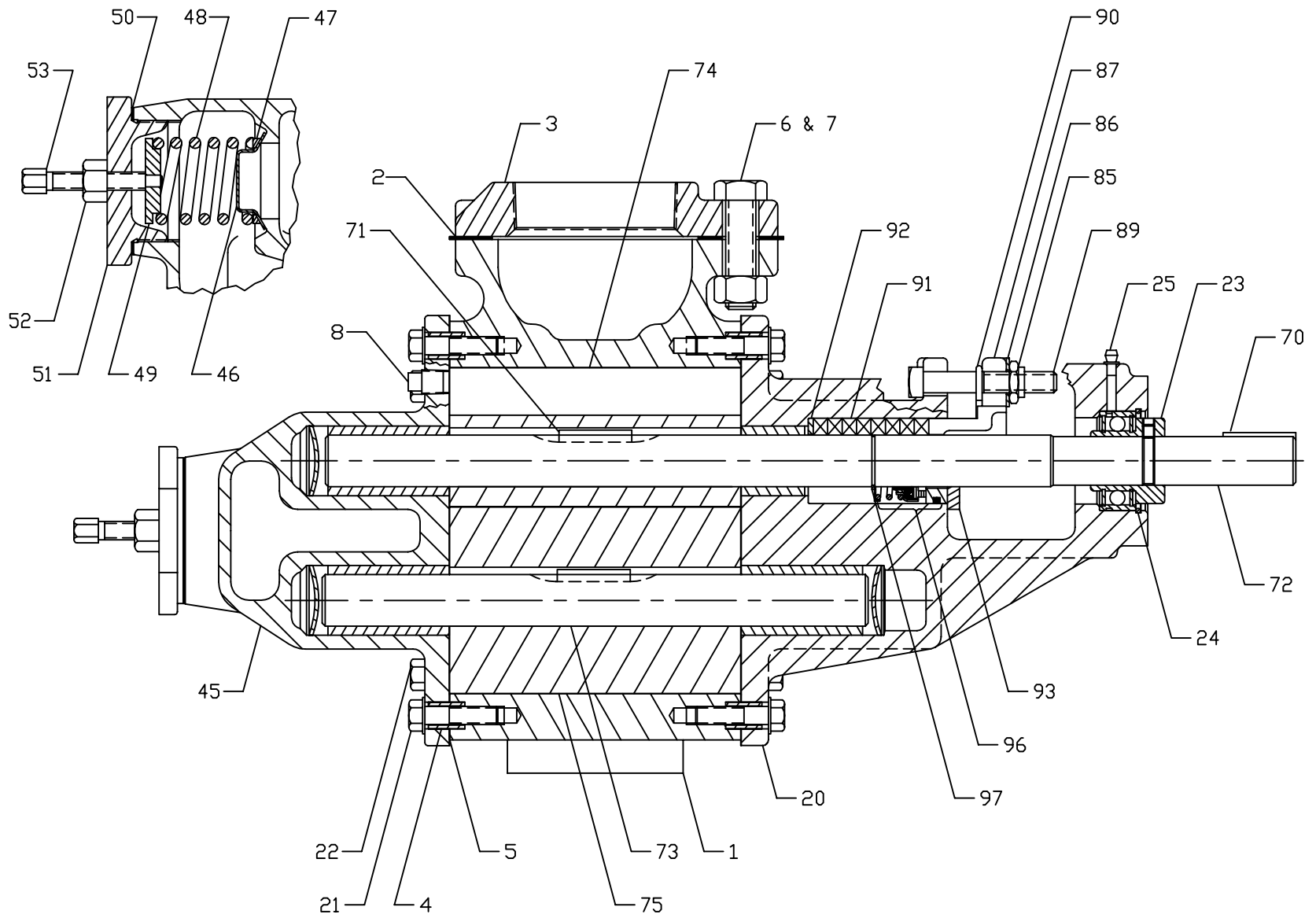
3611-4722 H,F,RV

3611-4722 H,F,RV SPEC G

KEY NO.	DESCRIPTION	3611-4711		3617-4717		3622-4722	
		QTY	PART NO.	QTY	PART NO.	QTY	PART NO.
1	Case (36xx-37xx H)	1	P1-178	1	P1-177	1	N/A
	Case (36xx-37xx HF)	1	P1-401	1	P1-402	1	P1-175
	Case (46xx-47xx HF)	1	P1-170	1	P1-181	1	P1-171
2	Gasket, Flange	2	D11-333	2	D11-332	2	D11-90
3	Flange (36xx-37xx)	2	P23-30	2	P23-12	2	P23-10
	Flange (46xx-47xx)	2	P23-30	2	P23-35	2	P23-19
4	Dowel Pin	4	D48-34	4	D48-34	4	D48-34
5	Case Gasket	2	D11-338	2	D11-338	2	D11-338
6	Hex Hd Cap Screw	8	G49-050150	8	G49-050125	8	G49-062225
7	Nut, Flange		N/A		N/A	8	G44-062
8	Pipe Plug	2	G56-12	2	G56-12	2	G56-12
20	Backplate Assy, Brz Brgs	1	N2-1012	1	N2-1012	1	N2-1012
21	Washer Hd Cap Screw	4	G49-24	4	G49-24	4	G49-24
22	Hex Hd Cap Screw	16	G49-037100	16	G49-037100	16	G49-037100
45	Faceplate Assy, Plain, Brz Brgs	1	N3-177	1	N3-177	1	N3-177
	Faceplate Assy, RV, Brz Brgs	1	N3-200	1	N3-200	1	N3-200
46	Poppet	1	D16-16	1	D16-16	1	D16-16
47	Adapter	1	G8-281	1	G8-281	1	G8-281
48	Spring, Std Press	1	G10-355	1	G10-355	1	G10-355
	Spring, High Press	1	G10-375	1	G10-375	1	G10-375
49	Spring Guide	1	D8-348	1	D8-348	1	D8-348
50	Gasket, RV Cap	1	D828-41	1	D828-41	1	D828-41
51	RV Cap	1	P17-110	1	P17-110	1	P17-110
52	Nut, Lock & Seal	1	G43-18	1	G43-18	1	G43-18
53	Adjusting Screw	1	G62-44	1	G62-44	1	G62-44
70	Key, Drive	1	D30-9	1	D30-9	1	D30-9
71	Key, Gear	2	D30-9	2	D30-9	2	D30-9
72	Drive Shaft	1	D1-2093	1	D1-2097	1	D1-2099
73	Idler Shaft	1	D1-1098	1	D1-1100	1	D1-1077
74	Gear, LH	1	P6-418	1	P6-414	1	P6-430
75	Gear, RH	1	P6-275	1	P6-273	1	P6-277
76	Ret Ring	2	G41-108	2	G41-108	2	G41-108
85	Locknut	2	D441-755	2	D441-755	2	D441-755
86	Pkg Gland Clip	2	D42-1	2	D42-1	2	D42-1
87	Pkg Gland	1	P10-178	1	P10-178	1	P10-178
89	Stud, Pkg	2	D22-245	2	D22-245	2	D22-245
	Hex Hd Cap Screw, Mech Seal	2	G49-043100	2	G49-043100	2	G49-043100
91	Pkg Set	1	N43-1	1	N43-1	1	N43-1
92	Pkg Washer	1	G8-246	1	G8-246	1	G8-246
93	Seal Retainer	1	D23-252	1	D23-252	1	D23-252
96	Mech Seal, Complete	1	G4-101	1	G4-101	1	G4-101
97	Ret Ring	1	G41-76	1	G41-76	1	G41-76

Backplate Assy includes Brz Brgs: (1) G5-257 and (1) G5-258

Faceplate Assy includes Brz Brgs: (2) G5-257



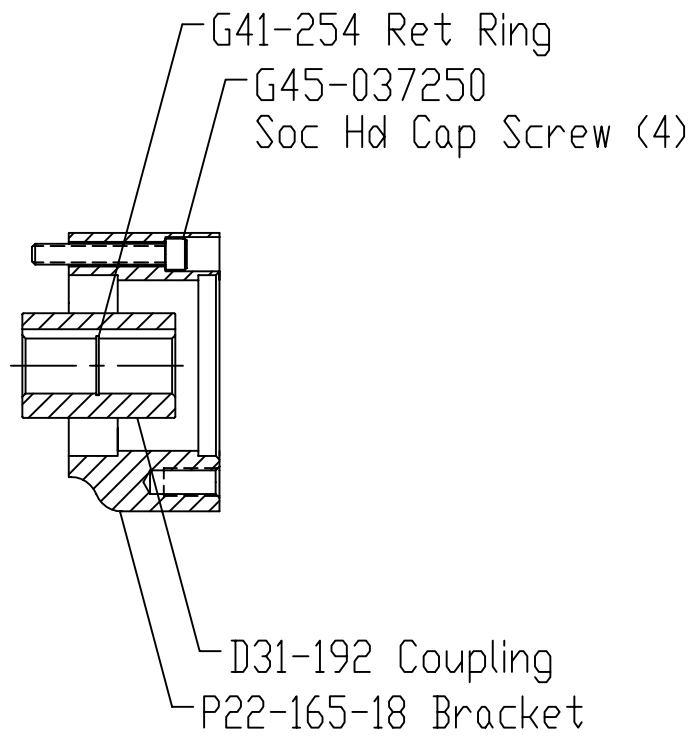
3611-4722 HB,F,RV

3611-4722 HB,F,RV

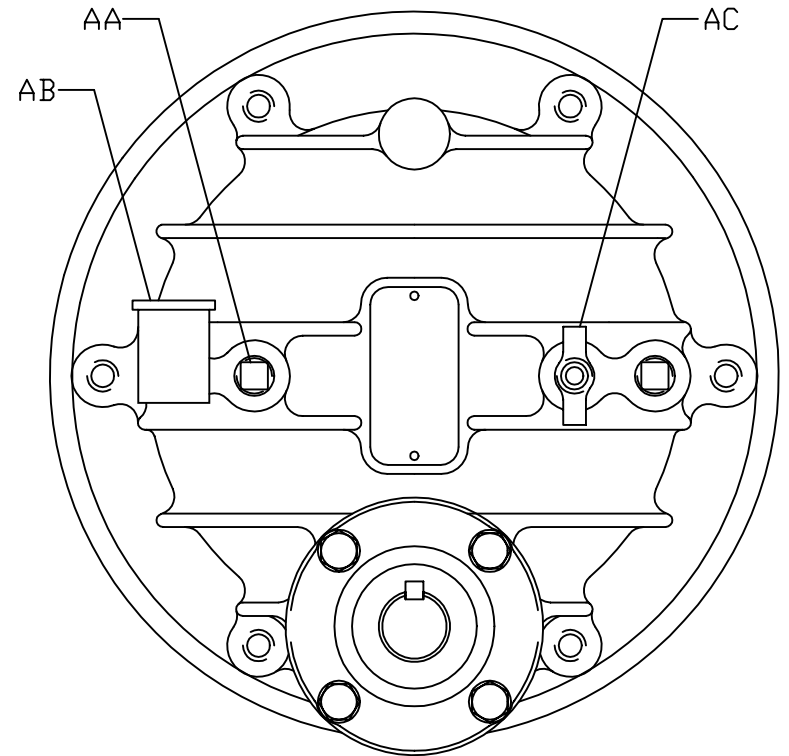
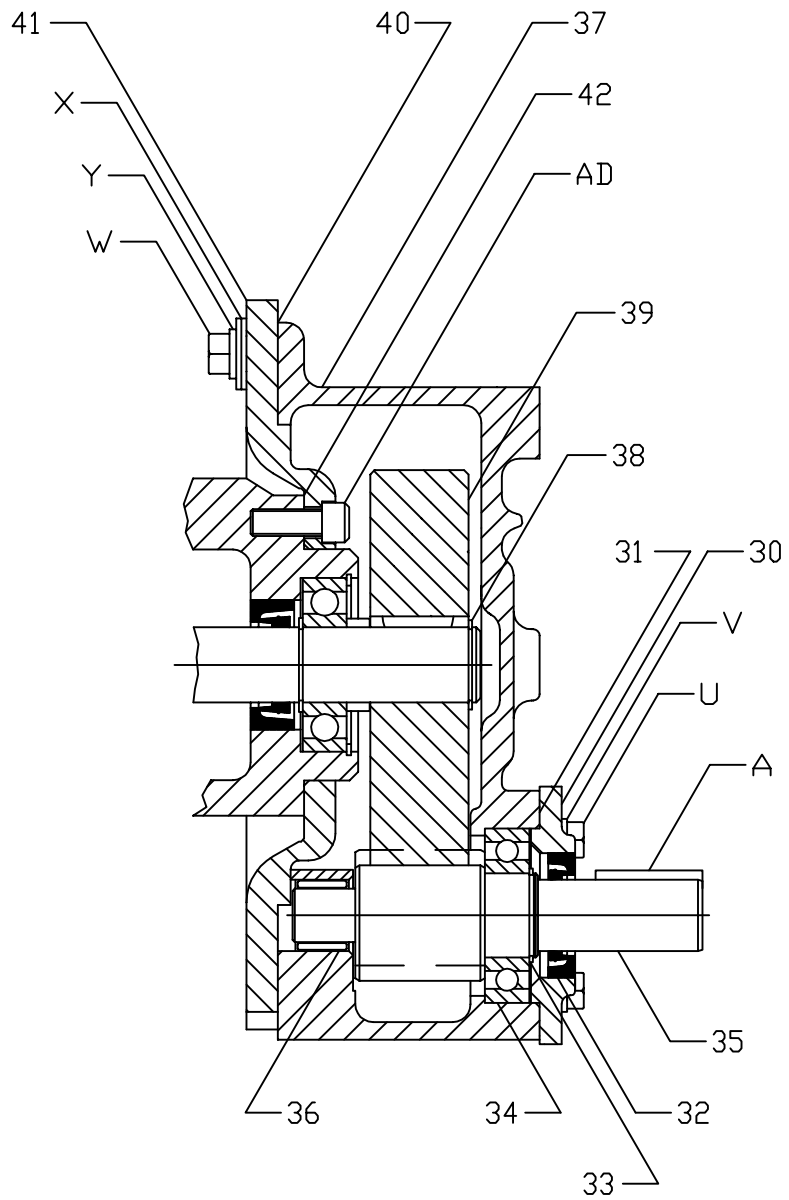
KEY NO.	DESCRIPTION	3611-4711		3617-4717		3622-4722	
		QTY	PART NO.	QTY	PART NO.	QTY	PART NO.
1	Case (36xx-37xx HB)	1	P1-178	1	P1-177	1	N/A
	Case (36xx-37xx HBF)	1	P1-401	1	P1-402	1	P1-175
	Case (46xx-47xx HBF)	1	P1-170	1	P1-181	1	P1-171
2	Gasket, Flange	2	D11-333	2	D11-332	2	D11-90
3	Flange (36xx-37xx)	2	P23-30	2	P23-12	2	P23-10
	Flange (46xx-47xx)	2	P23-30	2	P23-35	2	P23-19
4	Dowel Pin	4	D48-34	4	D48-34	4	D48-34
5	Case Gasket	2	D11-338	2	D11-338	2	D11-338
6	Hex Hd Cap Screw	8	G49-050150	8	G49-050125	8	G49-062225
7	Nut, Flange		N/A		N/A	8	G44-062
8	Pipe Plug	2	G56-12	2	G56-12	2	G56-12
20	Backplate Assy, Brz Brgs	1	N2-403	1	N2-403	1	N2-403
21	Washer Hd Cap Screw	4	G49-24	4	G49-24	4	G49-24
22	Hex Hd Cap Screw	16	G49-037100	16	G49-037100	16	G49-037100
23	Ball Brg	1	G40-41	1	G40-41	1	G40-41
24	Ret Ring	1	G41-10	1	G41-10	1	G41-10
25	Lube Ftg	1	G63-1	1	G63-1	1	G63-1
45	Faceplate Assy, Plain, Brz Brgs	1	N3-177	1	N3-177	1	N3-177
	Faceplate Assy, RV, Brz Brgs	1	N3-200	1	N3-200	1	N3-200
46	Poppet	1	D16-16	1	D16-16	1	D16-16
47	Adapter	1	G8-281	1	G8-281	1	G8-281
48	Spring, Std Press	1	G10-355	1	G10-355	1	G10-355
	Spring, High Press	1	G10-375	1	G10-375	1	G10-375
49	Spring Guide	1	D8-348	1	D8-348	1	D8-348
50	Gasket, RV Cap	1	D828-41	1	D828-41	1	D828-41
51	RV Cap	1	P17-110	1	P17-110	1	P17-110
52	Nut, Lock & Seal	1	G43-18	1	G43-18	1	G43-18
53	Adjusting Screw	1	G62-44	1	G62-44	1	G62-44
70	Key, Drive	1	D30-9	1	D30-9	1	D30-9
71	Key, Gear	2	D30-9	2	D30-9	2	D30-9
72	Drive Shaft	1	D1-2072	1	D1-2073	1	D1-1998
73	Idler Shaft	1	D1-1098	1	D1-1100	1	D1-1077
74	Gear, LH	1	P6-276	1	P6-274	1	P6-278
75	Gear, RH	1	P6-275	1	P6-273	1	P6-277
85	Locknut	2	D441-755	2	D441-755	2	D441-755
86	Pkg Gland Clip	2	D42-1	2	D42-1	2	D42-1
87	Pkg Gland	1	P10-178	1	P10-178	1	P10-178
89	Sq Hd Bolt, Pkg	2	G67-043250	2	G67-043250	2	G67-043250
	Sq Hd Bolt, Mech Seal	2	G67-043125	2	G67-043125	2	G67-043125
90	Spring Clip	1	D42-2	1	D42-2	1	D42-2
91	Pkg Set	1	N43-1	1	N43-1	1	N43-1
92	Pkg Washer	1	G8-246	1	G8-246	1	G8-246
93	Seal Retainer	1	D23-252	1	D23-252	1	D23-252
96	Mech Seal, Complete	1	G4-101	1	G4-101	1	G4-101
97	Ret Ring	1	G41-76	1	G41-76	1	G41-76

Backplate Assy includes Brz Brgs: (1) G5-257 and (1) G5-258

Faceplate Assy includes Brz Brgs: (2) G5-257



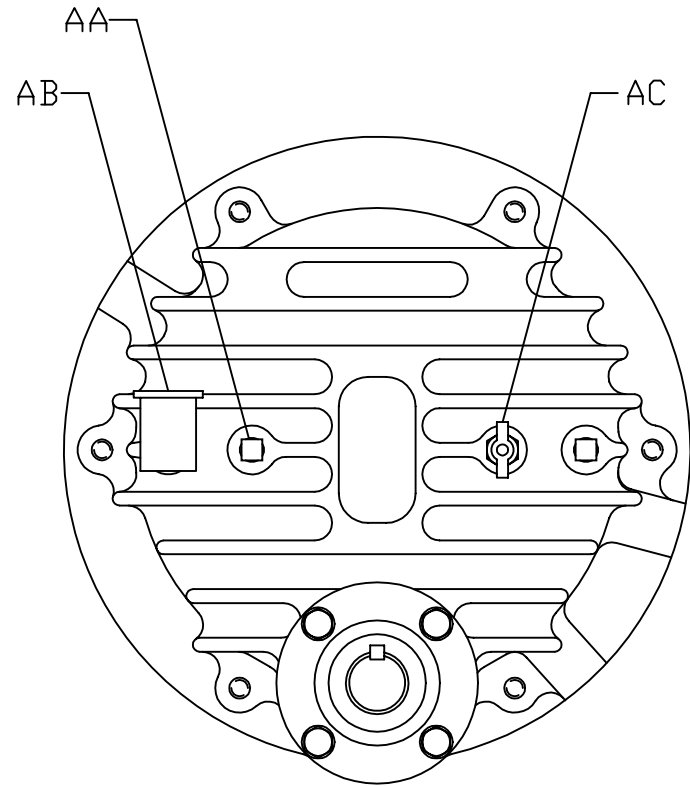
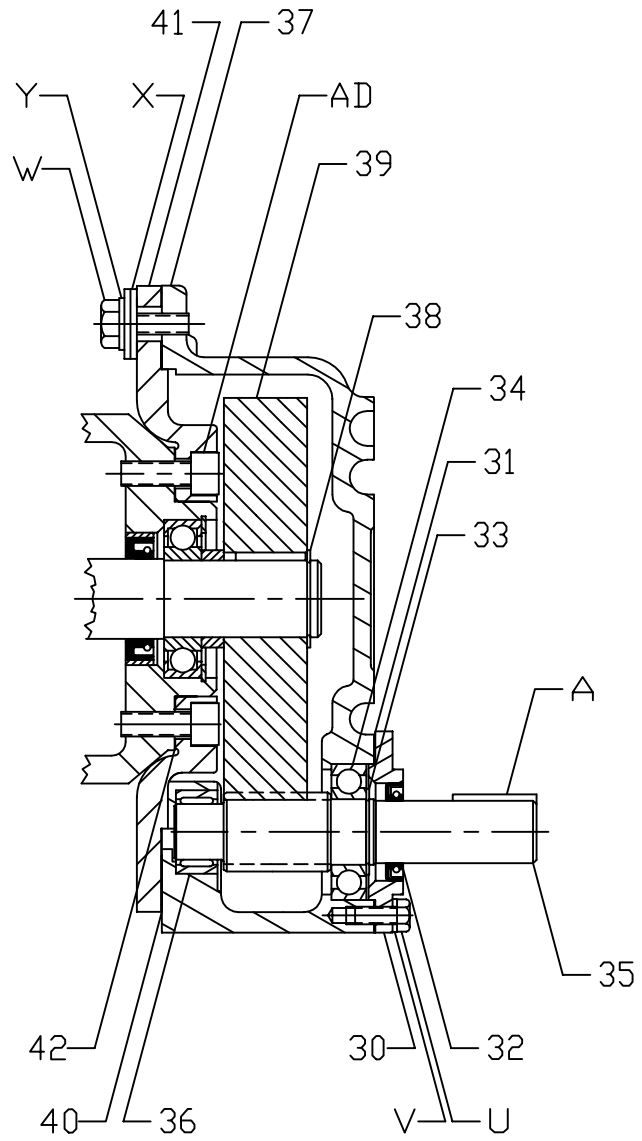
3611-4722 MBH,F,RV
COUPLING ASSEMBLY



N41-1

N41-XXX-1

KEY NO.	DESCRIPTION	N41-320-1		N41-394-1		N41-460-1	
		QTY	PART NO.	QTY	PART NO.	QTY	PART NO.
30	Bearing Retainer	1	P4-384	1	P4-384	1	P4-384
31	Bearing Retainer Gasket	1	D11-277	1	D11-277	1	D11-277
32	Lip Seal	1	D83-22	1	D83-22	1	D83-22
33	Retaining Ring	1	G41-78	1	G41-78	1	G41-78
34	Ball Bearing	1	G40-10	1	G40-10	1	G40-10
35	Pinion Gear and Shaft	1	D37-120	1	D37-117	1	D37-115
36	Needle Bearing	1	G40-30	1	G40-30	1	G40-30
37	Gear Case	1	P49-2	1	P49-2	1	P49-2
38	Retaining Ring	1	G41-76	1	G41-76	1	G41-76
39	Drive Gear	1	D37-64	1	D37-67	1	D37-69
40	Gear Case Gasket	1	D11-278	1	D11-278	1	D11-278
41	Gear Box Cover	1	P22-13	1	P22-13	1	P22-13
42	Cover Gasket	1	D11-276	1	D11-276	1	D11-276
A	Drive Key	1	D30-9	1	D30-9	1	D30-9
AA	Pipe Plug	2	G56-12	2	G56-12	2	G56-12
AB	Oil Cup	1	G61-239	1	G61-239	1	G61-239
AC	Petcock	1	G61-71	1	G61-71	1	G61-71
AD	Socket Head Cap Screw	4	G45-037100	4	G45-037100	4	G45-037100
U	Hex Head Cap Screw	4	G49-031075	4	G49-031075	4	G49-031075
V	Lockwasher	4	G8-71	4	G8-71	4	G8-71
W	Hex Head Cap Screw	6	G49-037125	6	G49-037125	6	G49-037125
X	Flat Washer	12	G8-52	12	G8-52	12	G8-52
Y	Lockwasher	6	G8-72	6	G8-72	6	G8-72



N41-3

N41-XXX-3

KEY NO.	DESCRIPTION	N41-426-3		N41-488-3		N41-566-3	
		QTY	PART NO.	QTY	PART NO.	QTY	PART NO.
30	Bearing Retainer	1	P4-384	1	P4-384	1	P4-384
31	Bearing Retainer Gasket	1	D11-277	1	D11-277	1	D11-277
32	Lip Seal	1	G17-84	1	G17-84	1	G17-84
33	Retaining Ring	1	G41-78	1	G41-78	1	G41-78
34	Ball Bearing	1	G40-10	1	G40-10	1	G40-10
35	Pinion Gear and Shaft	1	D37-119	1	D37-118	1	D37-116
36	Needle Bearing	1	G40-51	1	G40-51	1	G40-51
37	Gear Case	1	P49-6	1	P49-6	1	P49-6
38	Retaining Ring	1	G41-80	1	G41-80	1	G41-80
39	Drive Gear	1	D37-91	1	D37-93	1	D37-95
40	Gear Case Gasket	1	D11-305	1	D11-305	1	D11-305
41	Gear Box Cover	1	P22-25	1	P22-25	1	P22-25
42	Cover Gasket	1	D11-304	1	D11-304	1	D11-304
A	Drive Key	1	D30-9	1	D30-9	1	D30-9
AA	Pipe Plug	2	G56-12	2	G56-12	2	G56-12
AB	Oil Cap	1	G61-239	1	G61-239	1	G61-239
AC	Petcock	1	G61-71	1	G61-71	1	G61-71
AD	Socket Head Cap Screw	4	G45-050125	4	G45-050125	4	G45-050125
U	Hex Head Cap Screw	4	G49-031075	4	G49-031075	4	G49-031075
V	Lockwasher	4	G8-71	4	G8-71	4	G8-71
W	Hex Head Cap Screw	6	G49-050125	6	G49-050125	6	G49-050125
X	Flat Washer	12	G8-54	12	G8-54	12	G8-54
Y	Lockwasher	6	G8-74	6	G8-74	6	G8-74