

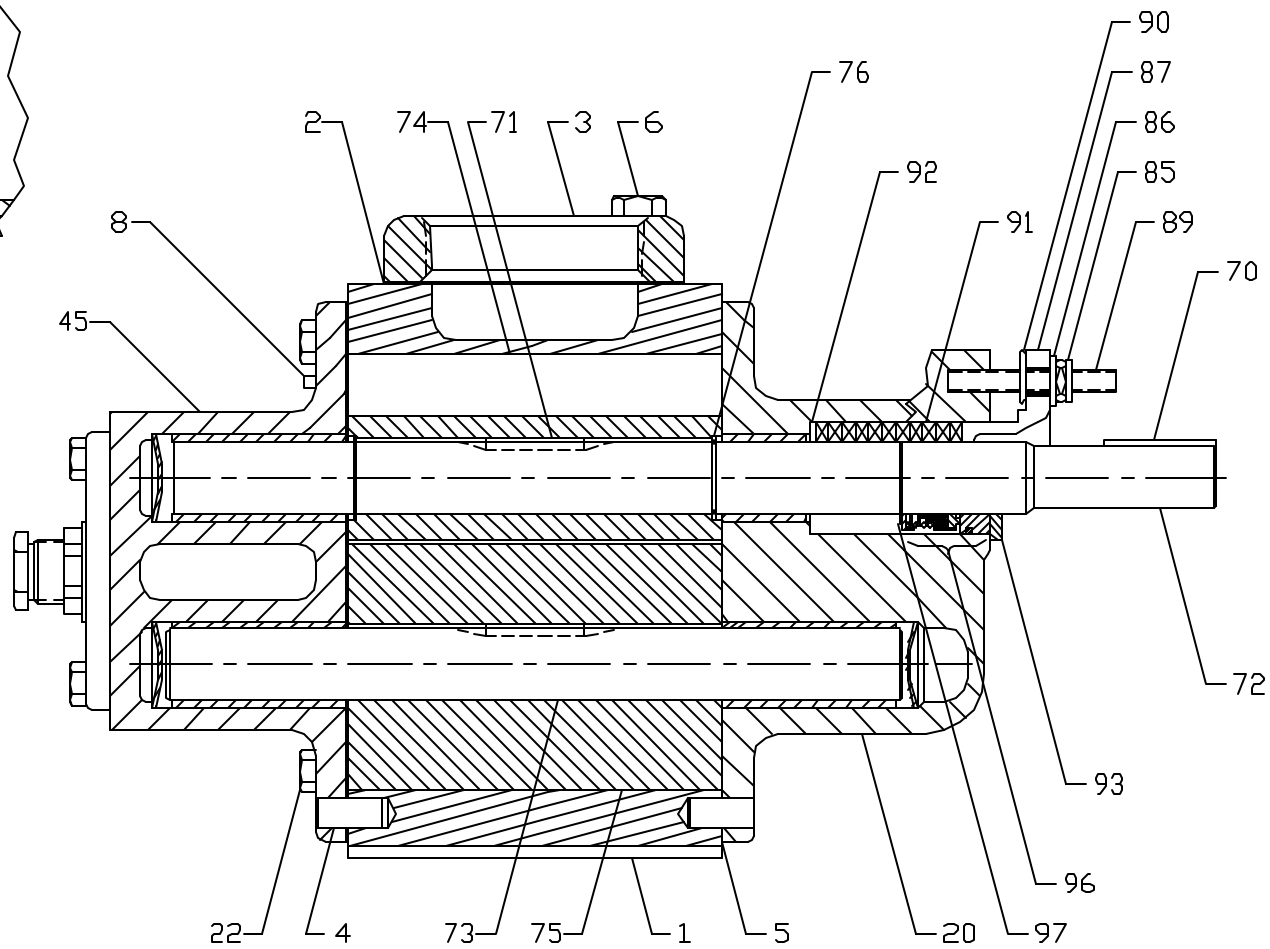
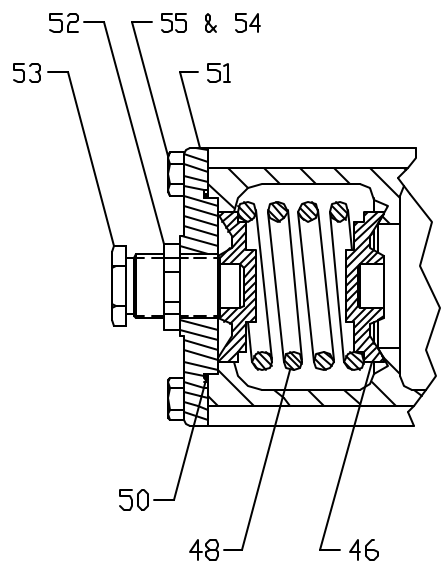
3632, 3643, 3648 BHF,RV
3732, 3743, 3748 BHF,RV

3632 THRU 3748 BHF,RV

KEY NO.	DESCRIPTION	3632 & 3732		3643 & 3743		3648 & 3748	
		QTY	PART NO.	QTY	PART NO.	QTY	PART NO.
1	Case	1	N22-223	1	N22-222	1	P1-481
2	Gasket, Flange	2	D11-612	2	D11-90	2	D11-90
3	Flange	2	P23-150	2	P23-10	2	P23-19
4	Dowel Pin	4	G48-49	4	G48-49	4	G48-49
5	Case Gasket	3	D11-397	3	D11-397	3	D11-397
6	Hex Hd Cap Screw	8	G49-062200	8	G49-062200	8	G49-062200
8	Pipe Plug	2	G56-12	2	G56-12	2	G56-12
20	Backplate Assy, Brz Brgs	1	N2-1340	1	N2-1340	1	N2-1040
22	Hex Hd Cap Screw, Plain	16	G49-050150	16	G49-050150	16	G49-050150
	Hex Hd Cap Screw, RV	14	G49-050150	14	G49-050150	14	G49-050150
45	Faceplate Assy, Plain, Brz Brgs	1	N3-477	1	N3-477	1	N3-477
	Faceplate Assy, RV, Brz Brgs	1	N3-405	1	N3-405	1	N3-405
46	Poppet	1	D16-112	1	D16-112	1	D16-112
48	Spring, Std Press	1	G10-383	1	G10-383	1	G10-383
	Spring, High Press	1	G10-386	1	G10-386	1	G10-386
50	"O" Ring, RV Cap	1	G14-485	1	G14-485	1	G14-485
51	RV Cap	1	P14-44	1	P14-44	1	P14-44
52	Nut, Lock & Seal	1	G33-6	1	G33-6	1	G33-6
53	Adjusting Screw	1	D15-42	1	D15-42	1	D15-42
54	Nut	1	G44-050	1	G44-050	1	G44-050
55	Hex Hd Cap Screw, RV	2	G49-050600	2	G49-050600	2	G49-050600
70	Key, Drive	1	D30-216	1	D30-216	1	D30-216
71	Key, Gear	2	D30-10	2	D30-10	2	D30-10
72	Drive Shaft	1	D1-2690	1	D1-2691	1	D1-2435
73	Idler Shaft	1	D1-2686	1	D1-2676	1	D1-2087
74	Gear, RH	1	P6-478	1	P6-479	1	P6-385
75	Gear, LH	1	D6-1264	1	D6-1265	1	P6-383
76	Ret Ring	2	G41-119	2	G41-119	2	G41-119
85	Locknut	2	G43-12	2	G43-12	2	G43-12
86	Pkg Gland Clip	2	D42-4	2	D42-4	2	D42-4
87	Pkg Gland	1	P10-179	1	P10-179	1	P10-179
89	Sq Hd Bolt, Pkg	2	G67-050300	2	G67-050300	2	G67-050300
	Sq Hd Bolt, Mech Seal	2	G67-050125	2	G67-050125	2	G67-050125
90	Spring Clip	1	D42-3	1	D42-3	1	D42-3
91	Pkg Set	1	N43-3	1	N43-3	1	N43-3
92	Pkg Washer	1	G8-249	1	G8-249	1	G8-249
93	Seal Retainer	1	D23-267	1	D23-267	1	D23-267
96	Mech Seal, Complete	1	G4-112	1	G4-112	1	G4-112
97	Ret Ring	1	G41-155	1	G41-155	1	G41-155
99	Seal Locator Ring	1	D8-444	1	D8-444	1	D8-444

Backplate Assy includes Brz Brgs: (1) G5-264 and (1) G5-265

Faceplate Assy includes Brz Brgs: (2) G5-265



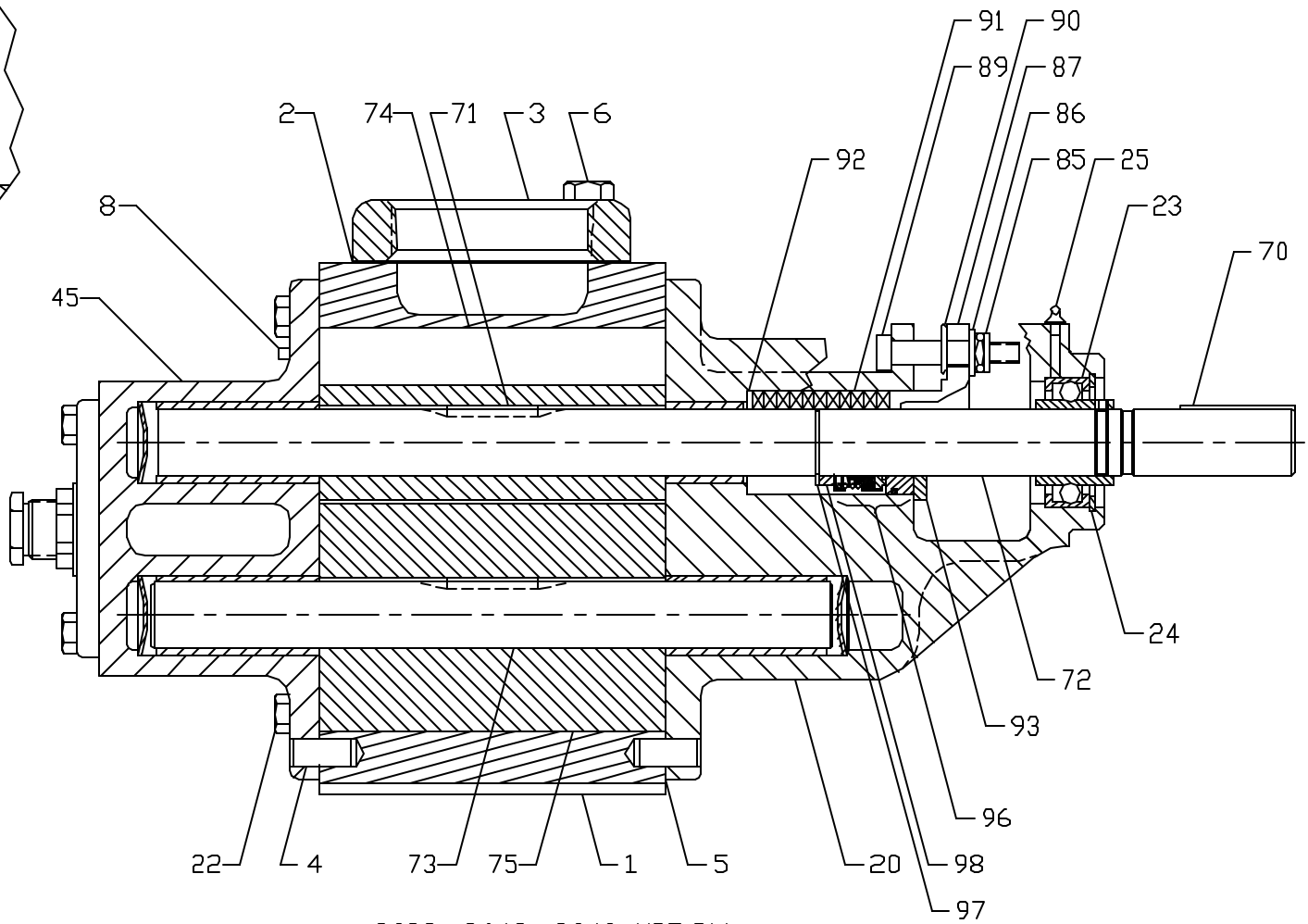
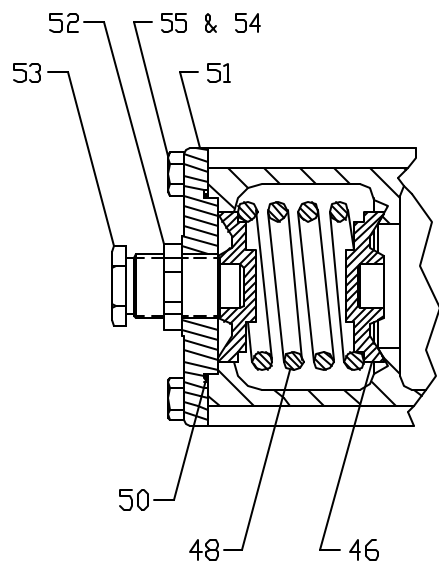
3632, 3643, 3648 HF,RV
3732, 3743, 3748 HF,RV

3632 THRU 3748 HF,RV

KEY NO.	DESCRIPTION	3632 & 3732		3643 & 3743		3648 & 3748	
		QTY	PART NO.	QTY	PART NO.	QTY	PART NO.
1	Case	1	N22-223	1	N22-222	1	P1-481
2	Gasket, Flange	2	D11-612	2	D11-90	2	D11-90
3	Flange	2	P23-150	2	P23-10	2	P23-19
4	Dowel Pin	4	G48-49	4	G48-49	4	G48-49
5	Case Gasket	3	D11-397	3	D11-397	3	D11-397
6	Hex Hd Cap Screw	8	G49-062200	8	G49-062200	8	G49-062200
8	Pipe Plug	2	G56-12	2	G56-12	2	G56-12
20	Backplate Assy, Brz Brgs	1	N2-1032	1	N2-1032	1	N2-1032
22	Hex Hd Cap Screw, Plain	16	G49-050150	16	G49-050150	16	G49-050150
	Hex Hd Cap Screw, RV	14	G49-050150	14	G49-050150	14	G49-050150
45	Faceplate Assy, Plain, Brz Brgs	1	N3-477	1	N3-477	1	N3-477
	Faceplate Assy, RV, Brz Brgs	1	N3-405	1	N3-405	1	N3-405
46	Poppet	1	D16-112	1	D16-112	1	D16-112
48	Spring, Std Press	1	G10-383	1	G10-383	1	G10-383
	Spring, High Press	1	G10-386	1	G10-386	1	G10-386
50	"O" Ring, RV Cap	1	G14-485	1	G14-485	1	G14-485
51	RV Cap	1	P14-44	1	P14-44	1	P14-44
52	Nut, Lock & Seal	1	G33-6	1	G33-6	1	G33-6
53	Adjusting Screw	1	D15-42	1	D15-42	1	D15-42
54	Nut	1	G44-050	1	G44-050	1	G44-050
55	Hex Hd Cap Screw, RV	2	G49-050600	2	G49-050600	2	G49-050600
70	Key, Drive	1	D30-11	1	D30-11	1	D30-11
71	Key, Gear	2	D30-10	2	D30-10	2	D30-10
72	Drive Shaft	1	D1-2689	1	D1-2687	1	D1-2086
73	Idler Shaft	1	D1-2686	1	D1-2676	1	D1-2087
74	Gear, RH	1	P6-478	1	P6-479	1	P6-385
75	Gear, LH	1	D6-1264	1	D6-1265	1	P6-383
76	Ret Ring	2	G41-119	2	G41-119	2	G41-119
85	Locknut	2	G43-12	2	G43-12	2	G43-12
86	Pkg Gland Clip	2	D42-4	2	D42-4	2	D42-4
87	Pkg Gland	1	P10-179	1	P10-179	1	P10-179
89	Stud, Pkg	2	G2-4	2	G2-4	2	G2-4
	Hex Hd Cap Screw, Mech Seal	2	G49-050150	2	G49-050150	2	G49-050150
91	Pkg Set	1	N43-3	1	N43-3	1	N43-3
92	Pkg Washer	1	G8-249	1	G8-249	1	G8-249
93	Seal Retainer	1	D23-267	1	D23-267	1	D23-267
96	Mech Seal, Complete	1	G4-112	1	G4-112	1	G4-112
97	Ret Ring	1	G41-155	1	G41-155	1	G41-155

Backplate Assy includes Brz Brgs: (1) G5-264 and (1) G5-265

Faceplate Assy includes Brz Brgs: (2) G5-265



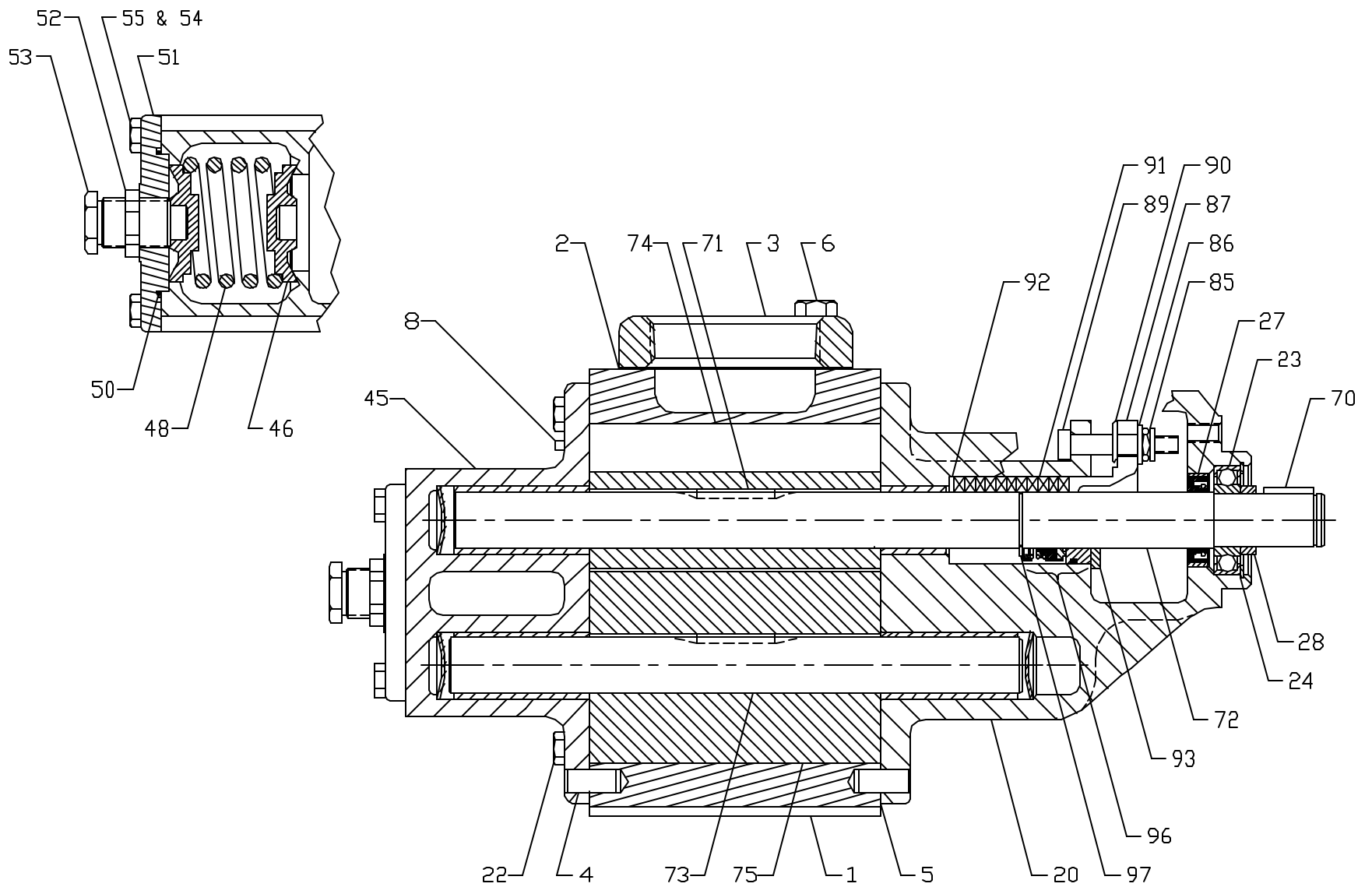
3632, 3643, 3648 HBF,RV
3732, 3743, 3748 HBF,RV

3632 THRU 3748 HBF, RV

KEY NO.	DESCRIPTION	3632 & 3732		3643 & 3743		3648 & 3748	
		QTY	PART NO.	QTY	PART NO.	QTY	PART NO.
1	Case	1	N22-223	1	N22-222	1	P1-481
2	Gasket, Flange	2	D11-612	2	D11-90	2	D11-90
3	Flange	2	P23-150	2	P23-10	2	P23-19
4	Dowel Pin	4	G48-49	4	G48-49	4	G48-49
5	Case Gasket	3	D11-397	3	D11-397	3	D11-397
6	Hex Hd Cap Screw	8	G49-062200	8	G49-062200	8	G49-062200
8	Pipe Plug	2	G56-12	2	G56-12	2	G56-12
20	Backplate Assy, Brz Brgs	1	N2-1036	1	N2-1036	1	N2-1036
22	Hex Hd Cap Screw, Plain	16	G49-050150	16	G49-050150	16	G49-050150
	Hex Hd Cap Screw, RV	14	G49-050150	14	G49-050150	14	G49-050150
23	Ball Brg	1	G40-35	1	G40-35	1	G40-35
24	Ret Ring	1	G41-5	1	G41-5	1	G41-5
25	Lube Ftg	1	G63-1	1	G63-1	1	G63-1
45	Faceplate Assy, Plain, Brz Brgs	1	N3-477	1	N3-477	1	N3-477
	Faceplate Assy, RV, Brz Brgs	1	N3-405	1	N3-405	1	N3-405
46	Poppet	1	D16-112	1	D16-112	1	D16-112
48	Spring, Std Press	1	G10-383	1	G10-383	1	G10-383
	Spring, High Press	1	G10-386	1	G10-386	1	G10-386
50	"O" Ring, RV Cap	1	G14-485	1	G14-485	1	G14-485
51	RV Cap	1	P14-44	1	P14-44	1	P14-44
52	Nut, Lock & Seal	1	G33-6	1	G33-6	1	G33-6
53	Adjusting Screw	1	D15-42	1	D15-42	1	D15-42
54	Nut	1	G44-050	1	G44-050	1	G44-050
55	Hex Hd Cap Screw, RV	2	G49-050600	2	G49-050600	2	G49-050600
70	Key, Drive	1	D30-11	1	D30-11	1	D30-11
71	Key, Gear	2	D30-10	2	D30-10	2	D30-10
72	Drive Shaft	1	D1-2685	1	D1-2675	1	D1-2009
73	Idler Shaft	1	D1-2686	1	D1-2676	1	D1-2087
74	Gear, RH	1	P6-477	1	P6-475	1	P6-384
75	Gear, LH	1	D6-1264	1	D6-1265	1	P6-383
85	Locknut	2	G43-12	2	G43-12	2	G43-12
86	Pkg Gland Clip	2	D42-4	2	D42-4	2	D42-4
87	Pkg Gland	1	P10-179	1	P10-179	1	P10-179
89	Sq Hd Bolt, Pkg	2	G67-050300	2	G67-050300	2	G67-050300
	Sq Hd Bolt, Mech Seal	2	G67-050125	2	G67-050125	2	G67-050125
90	Spring Clip	1	D42-3	1	D42-3	1	D42-3
91	Pkg Set	1	N43-3	1	N43-3	1	N43-3
92	Pkg Washer	1	G8-249	1	G8-249	1	G8-249
93	Seal Retainer	1	D23-267	1	D23-267	1	D23-267
96	Mech Seal, Complete	1	G4-112	1	G4-112	1	G4-112
97	Ret Ring	1	G41-155	1	G41-155	1	G41-155
98	Seal Spacer	0	N/A	0	N/A	1	D45-166

Backplate Assy includes Brz Brgs: (1) G5-264 and (1) G5-265

Faceplate Assy includes Brz Brgs: (2) G5-265



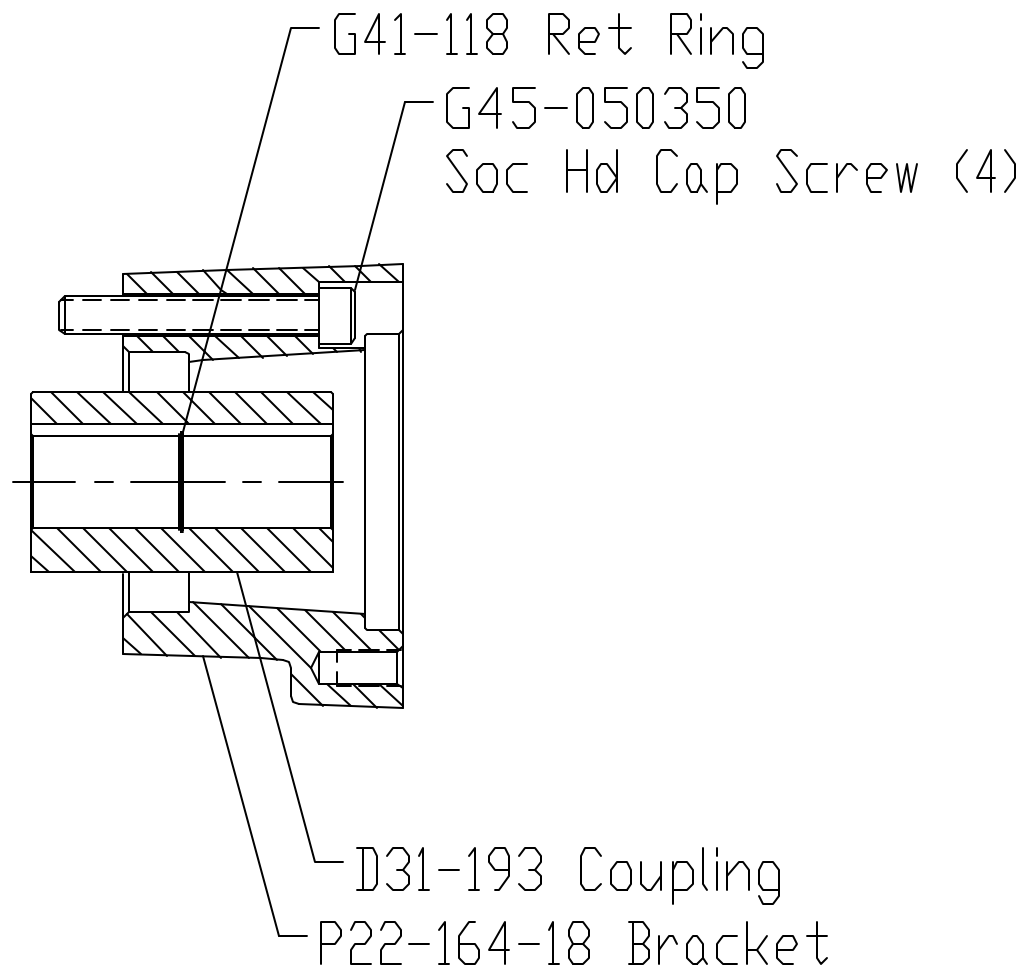
3632, 3643, 3648 GHBF, □, RV
 3732, 3743, 3748 GHBF, □, RV

3632 THRU 3748 GHBF,O,RV

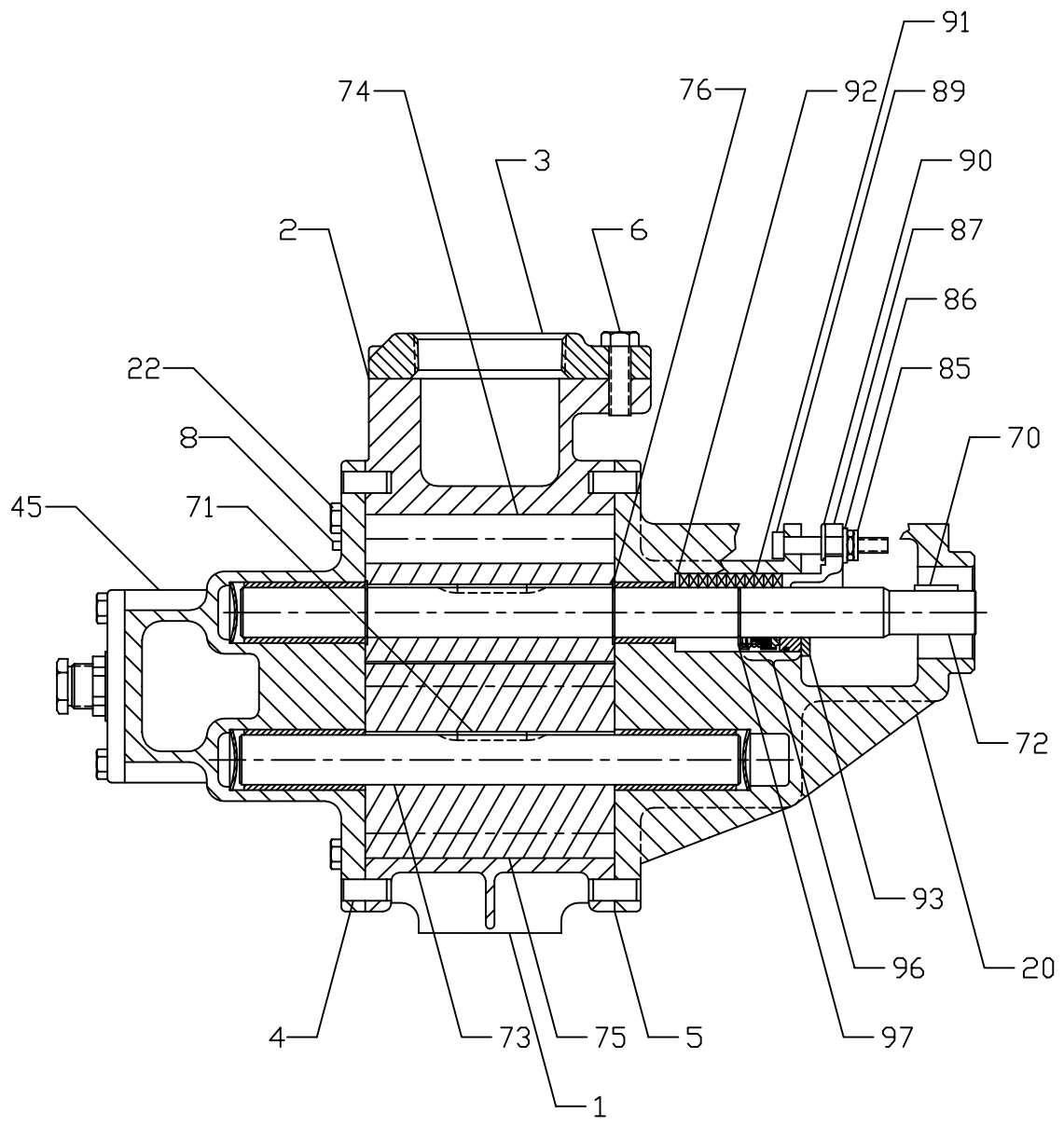
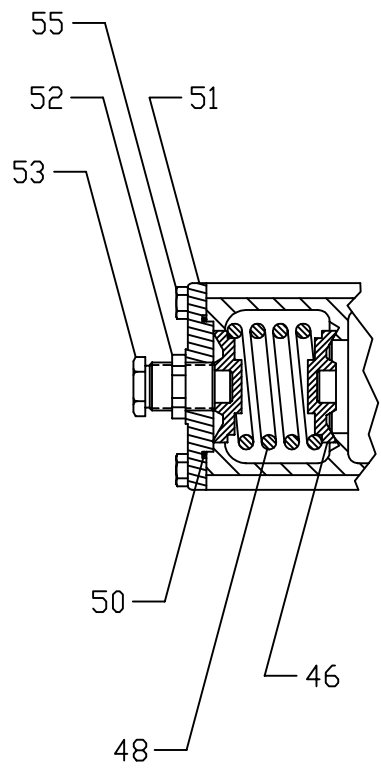
KEY NO.	DESCRIPTION	3632 & 3732		3643 & 3743		3648 & 3748	
		QTY	PART NO.	QTY	PART NO.	QTY	PART NO.
1	Case	1	N22-223	1	N22-222	1	P1-481
2	Gasket, Flange	2	D11-612	2	D11-90	2	D11-90
3	Flange	2	P23-150	2	P23-10	2	P23-19
4	Dowel Pin	4	G48-49	4	G48-49	4	G48-49
5	Case Gasket	3	D11-397	3	D11-397	3	D11-397
6	Hex Hd Cap Screw	8	G49-062200	8	G49-062200	8	G49-062200
8	Pipe Plug	2	G56-12	2	G56-12	2	G56-12
20	Backplate Assy, Brz Brgs	1	N2-1040	1	N2-1040	1	N2-1040
22	Hex Hd Cap Screw, Plain	16	G49-050150	16	G49-050150	16	G49-050150
	Hex Hd Cap Screw, RV	14	G49-050150	14	G49-050150	14	G49-050150
23	Ball Brg	1	G40-31	1	G40-31	1	G40-31
24	Ret Ring	1	G41-25	1	G41-25	1	G41-25
27	Lip Seal	1	D83-9	1	D83-9	1	D83-9
28	Spacer	1	D45-27	1	D45-27	1	D45-27
45	Faceplate Assy, Plain, Brz Brgs	1	N3-477	1	N3-477	1	N3-477
	Faceplate Assy, RV, Brz Brgs	1	N3-405	1	N3-405	1	N3-405
46	Poppet	1	D16-112	1	D16-112	1	D16-112
48	Spring, Std Press	1	G10-383	1	G10-383	1	G10-383
	Spring, High Press	1	G10-386	1	G10-386	1	G10-386
50	"O" Ring, RV Cap	1	G14-485	1	G14-485	1	G14-485
51	RV Cap	1	P14-44	1	P14-44	1	P14-44
52	Nut, Lock & Seal	1	G33-6	1	G33-6	1	G33-6
53	Adjusting Screw	1	D15-42	1	D15-42	1	D15-42
54	Nut	1	G44-050	1	G44-050	1	G44-050
55	Hex Hd Cap Screw, RV	2	G49-050600	2	G49-050600	2	G49-050600
70	Key, Drive	1	D30-22	1	D30-22	1	D30-22
71	Key, Gear	2	D30-10	2	D30-10	2	D30-10
72	Drive Shaft	1	D1-2688	1	D1-2692	1	D1-2011
73	Idler Shaft	1	D1-2686	1	D1-2676	1	D1-2087
74	Gear, RH	1	P6-477	1	P6-475	1	P6-384
75	Gear, LH	1	D6-1264	1	D6-1265	1	P6-383
85	Locknut	2	G43-12	2	G43-12	2	G43-12
86	Pkg Gland Clip	2	D42-4	2	D42-4	2	D42-4
87	Pkg Gland	1	P10-179	1	P10-179	1	P10-179
89	Sq Hd Bolt, Pkg	2	G67-050300	2	G67-050300	2	G67-050300
	Sq Hd Bolt, Mech Seal	2	G67-050125	2	G67-050125	2	G67-050125
90	Spring Clip	1	D42-3	1	D42-3	1	D42-3
91	Pkg Set	1	N43-3	1	N43-3	1	N43-3
92	Pkg Washer	1	G8-249	1	G8-249	1	G8-249
93	Seal Retainer	1	D23-267	1	D23-267	1	D23-267
96	Mech Seal, Complete	1	G4-112	1	G4-112	1	G4-112
97	Ret Ring	1	G41-155	1	G41-155	1	G41-155
98	Seal Spacer	1	D45-166	1	D45-166	1	D45-166

Backplate Assy includes Brz Brgs: (1) G5-264 and (1) G5-265

Faceplate Assy includes Brz Brgs: (2) G5-265



3632, 3643, 3648 MBH,F,RV
3732, 3743, 3748 MBH,F,RV
COUPLING ASSEMBLY



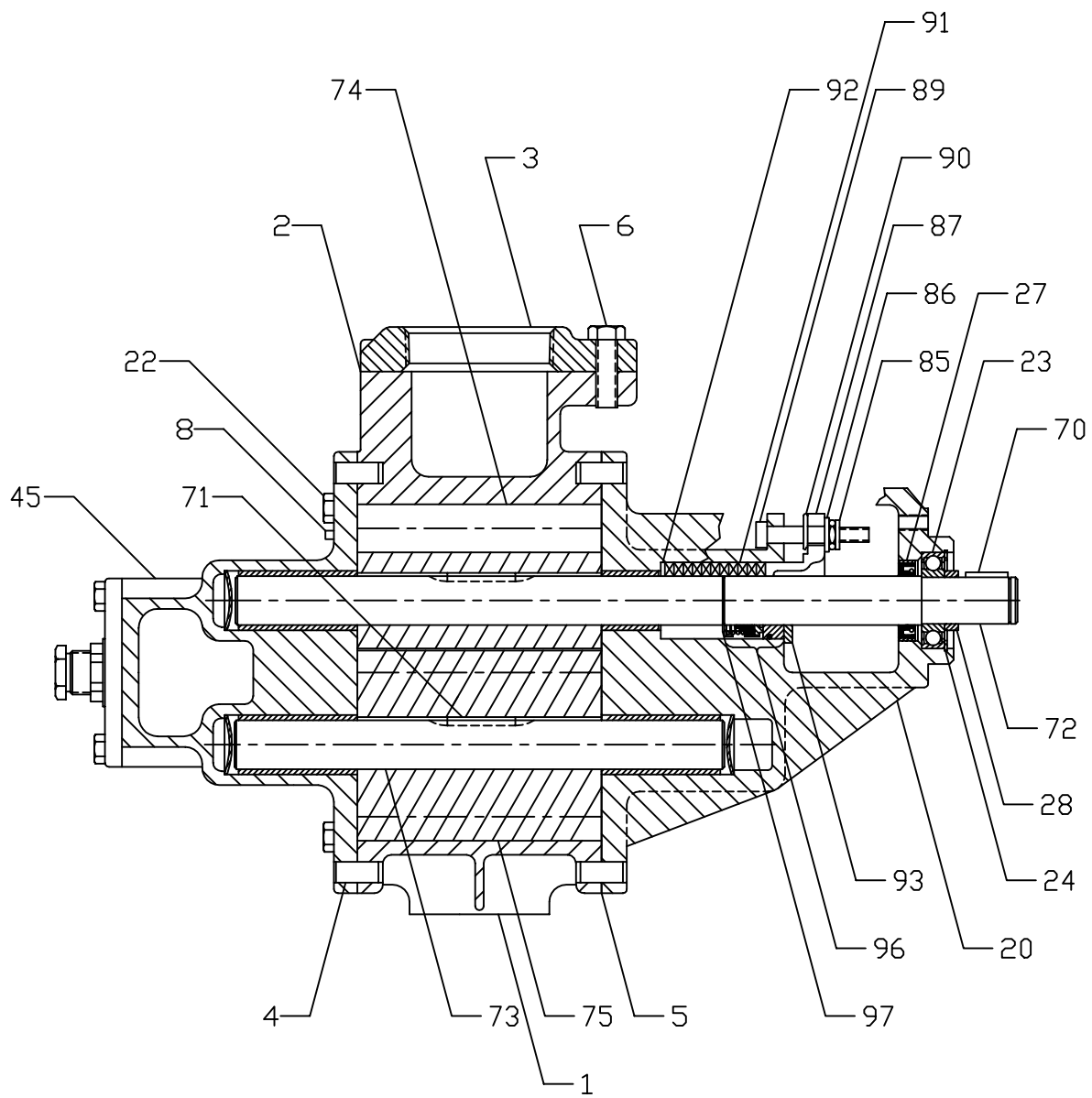
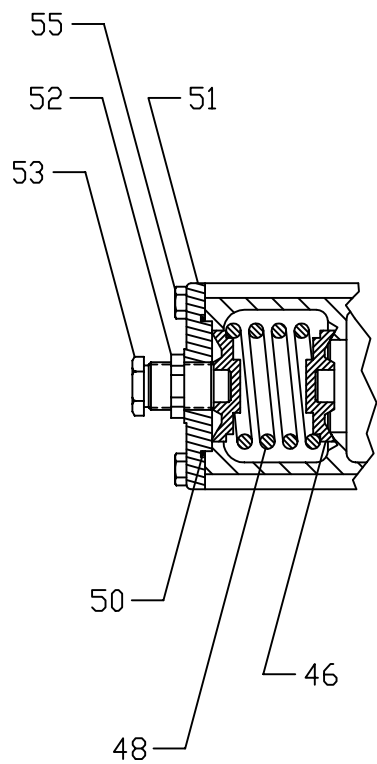
3635-4758 BH,F,RV

3635-4758 BH,F,RV

KEY NO.	DESCRIPTION	3635 & 3735		3658-4758	
		QTY	PART NO.	QTY	PART NO.
1	Case (36xx-37xx BH)	1	P-5140		N/A
	Case (36xx-37xx BHF)	1	P1-695	1	P1-229
	Case (46xx-47xx BHF)		N/A	1	P1-277
2	Gasket, Flange	2	D11-332	2	D11-283
3	Flange (36xx-37xx)	2	P23-35	2	P23-52
	Flange (46xx-47xx)		N/A	2	P23-52
4	Dowel Pin	4	D48-55	4	D48-55
5	Case Gasket	3	D441-492	3	D441-492
6	Hex Hd Cap Screw	8	G49-062200	8	G49-062200
8	Pipe Plug	2	G56-12	2	G56-12
20	Backplate Assy, Brz Brgs	1	N2-1332	1	N2-1332
22	Hex Hd Cap Screw	28	G49-050125	28	G49-050125
45	Faceplate Assy, Plain, Brz Brgs	1	N3-85	1	N3-85
	Faceplate Assy, RV, Brz Brgs	1	N3-304	1	N3-304
46	Poppet	1	D16-112	1	D16-112
48	Spring, Std Press	1	G10-383	1	G10-383
	Spring, High Press	1	G10-386	1	G10-386
50	"O" Ring, RV Cap	1	G14-485	1	G14-485
51	RV Cap	1	P14-44	1	P14-44
52	Nut, Lock & Seal	1	G33-6	1	G33-6
53	Adjusting Screw	1	D15-42	1	D15-42
55	Hex Hd Cap Screw, RV	3	G49-050125	3	G49-050125
70	Key, Drive	1	D30-216	1	D30-216
71	Key, Gear	2	D30-10	2	D30-10
72	Drive Shaft	1	D1-2462	1	D1-2488
73	Idler Shaft	1	D1-2089	1	D1-2087
74	Gear, LH	1	P6-420	1	P6-421
75	Gear, RH	1	P6-290	1	P6-280
76	Ret Ring	2	G41-119	2	G41-119
85	Locknut	2	G43-12	2	G43-12
86	Pkg Gland Clip	2	D42-4	2	D42-4
87	Pkg Gland	1	P10-179	1	P10-179
89	Sq Hd Bolt, Pkg	2	G67-050300	2	G67-050300
	Sq Hd Bolt, Mech Seal	2	G67-050125	2	G67-050125
90	Spring Clip	1	D42-3	1	D42-3
91	Pkg Set	1	N43-3	1	N43-3
92	Pkg Washer	1	G8-249	1	G8-249
93	Seal Retainer	1	D23-267	1	D23-267
96	Mech Seal, Complete	1	G4-112	1	G4-112
97	Ret Ring	1	G41-155	1	G41-155

Backplate Assy includes Brz Brgs: (1) G5-264 and (1) G5-265

Faceplate Assy includes Brz Brgs: (2) G5-265



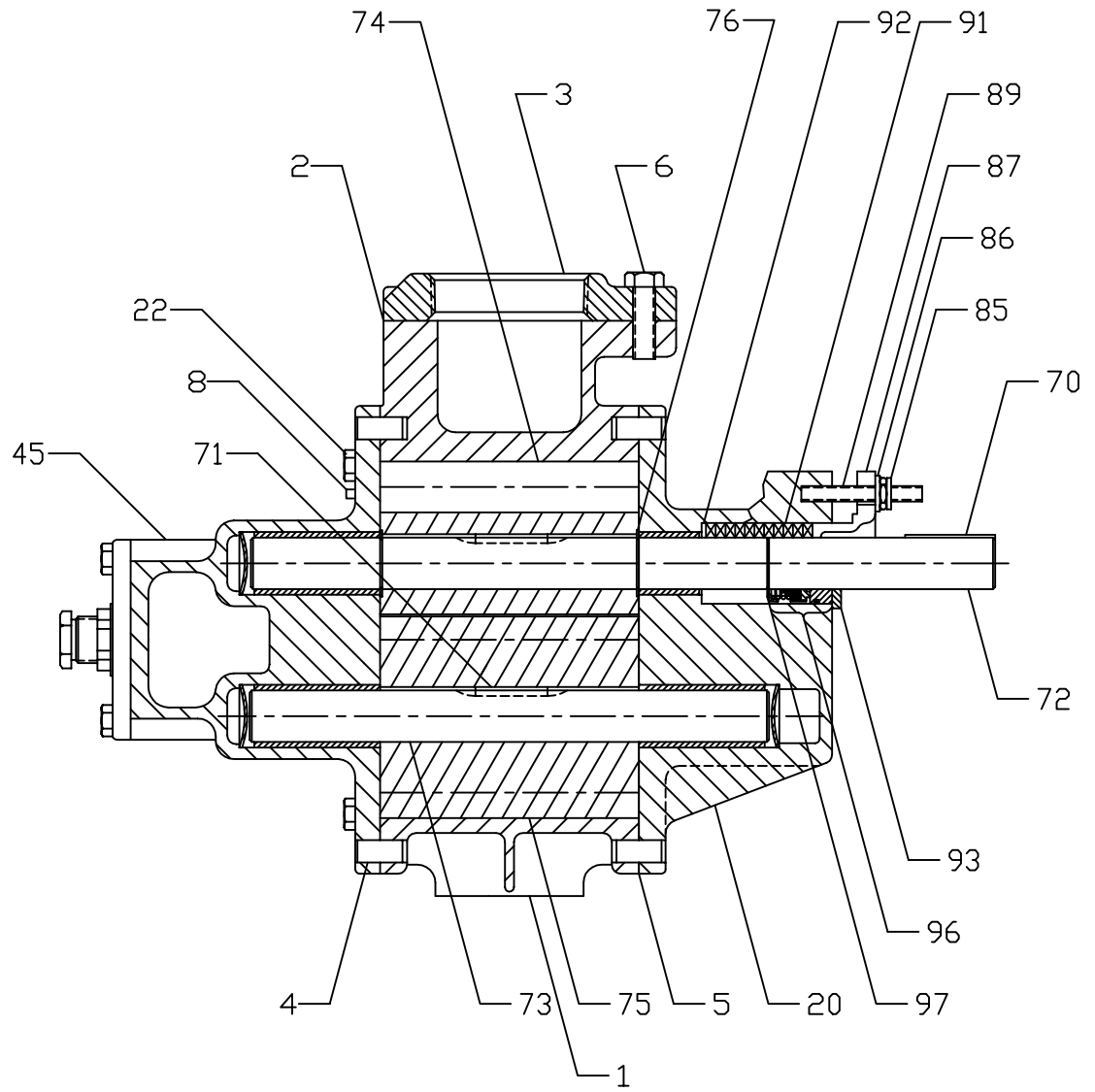
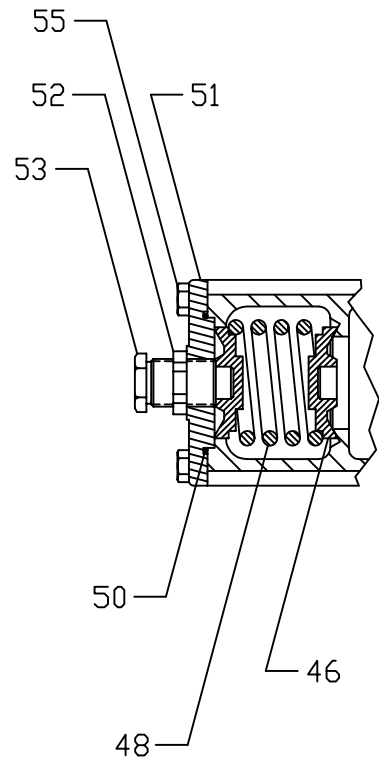
3635-4758 GHB,F,□,RV

3635-4758 GHB,F,O,RV

KEY NO.	DESCRIPTION	3635 & 3735		3658-4758	
		QTY	PART NO.	QTY	PART NO.
1	Case (36xx-37xx GHB)	1	P-5140		N/A
	Case (36xx-37xx GHBF)	1	P1-695	1	P1-229
	Case (46xx-47xx GHBF)		N/A	1	P1-277
2	Gasket, Flange	2	D11-332	2	D11-283
3	Flange (36xx-37xx)	2	P23-35	2	P23-52
	Flange (46xx-47xx)		N/A	2	P23-52
4	Dowel Pin	4	D48-55	4	D48-55
5	Case Gasket	3	D441-492	3	D441-492
6	Hex Hd Cap Screw	8	G49-062200	8	G49-062200
8	Pipe Plug	2	G56-12	2	G56-12
20	Backplate Assy, Brz Brgs	1	N2-646	1	N2-646
22	Hex Hd Cap Screw	28	G49-050125	28	G49-050125
23	Ball Brg	1	G40-35	1	G40-35
24	Ret Ring	1	G41-25	1	G41-25
25	Lube Ftg	1	G63-1	1	G63-1
27	Lip Seal	1	D83-9	1	D83-9
28	Spacer	1	D45-27	1	D45-27
45	Faceplate Assy, Plain, Brz Brgs	1	N3-85	1	N3-85
	Faceplate Assy, RV, Brz Brgs	1	N3-304	1	N3-304
46	Poppet	1	D16-112	1	D16-112
48	Spring, Std Press	1	G10-383	1	G10-383
	Spring, High Press	1	G10-386	1	G10-386
50	"O" Ring, RV Cap	1	G14-485	1	G14-485
51	RV Cap	1	P14-44	1	P14-44
52	Nut, Lock & Seal	1	G33-6	1	G33-6
53	Adjusting Screw	1	D15-42	1	D15-42
55	Hex Hd Cap Screw, RV	3	G49-050125	3	G49-050125
70	Key, Drive	1	D30-10	1	D30-11
71	Key, Gear	2	D30-10	2	D30-10
72	Drive Shaft	1	D1-2010	1	D1-2012
73	Idler Shaft	1	D1-2089	1	D1-2087
74	Gear, LH	1	P6-291	1	P6-279
75	Gear, RH	1	P6-290	1	P6-280
85	Locknut	2	G43-12	2	G43-12
86	Pkg Gland Clip	2	D42-4	2	D42-4
87	Pkg Gland	1	P10-179	1	P10-179
89	Sq Hd Bolt, Pkg	2	G67-050300	2	G67-050300
	Sq Hd Bolt, Mech Seal	2	G67-050125	2	G67-050125
90	Spring Clip	1	D42-3	1	D42-3
91	Pkg Set	1	N43-3	1	N43-3
92	Pkg Washer	1	G8-249	1	G8-249
93	Seal Retainer	1	D23-267	1	D23-267
96	Mech Seal, Complete	1	G4-112	1	G4-112
97	Ret Ring	1	G41-155	1	G41-155

Backplate Assy includes Brz Brgs: (1) G5-264 and (1) G5-265

Faceplate Assy includes Brz Brgs: (2) G5-265



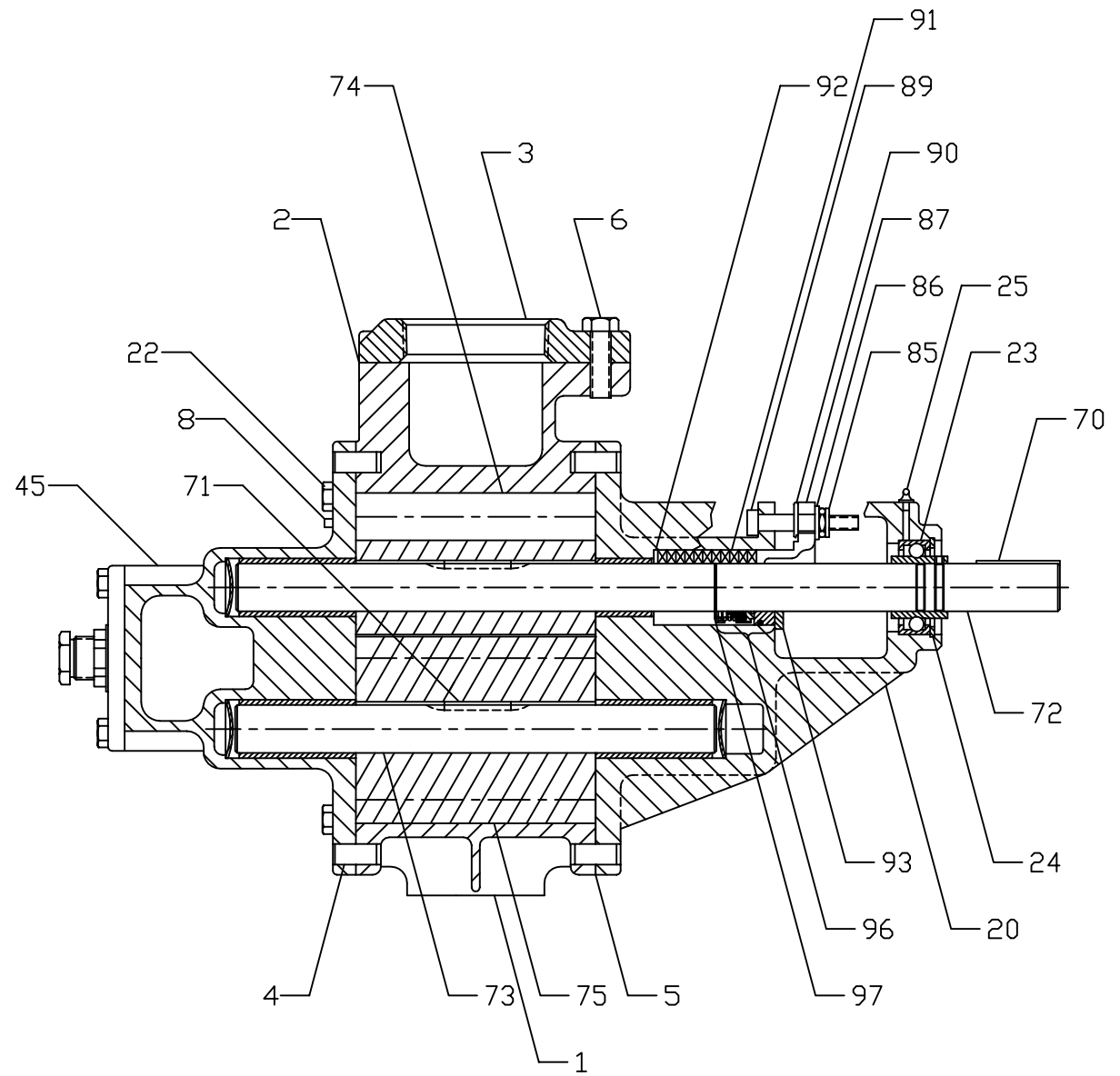
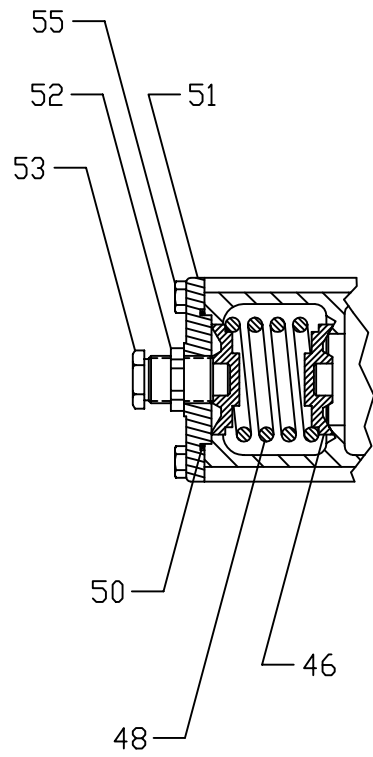
3635-4758 H,F,RV

3635-4758 H,F,RV SPEC G

KEY NO.	DESCRIPTION	3635 & 3735		3658-4758	
		QTY	PART NO.	QTY	PART NO.
1	Case (36xx-37xx H)	1	P-5140		N/A
	Case (36xx-37xx HF)	1	P1-695	1	P1-229
	Case (46xx-47xx HF)		N/A	1	P1-277
2	Gasket, Flange	2	D11-332	2	D11-283
3	Flange (36xx-37xx)	2	P23-35	2	P23-52
	Flange (46xx-47xx)		N/A	2	P23-52
4	Dowel Pin	4	D48-55	4	D48-55
5	Case Gasket	3	D441-492	3	D441-492
6	Hex Hd Cap Screw	8	G49-062200	8	G49-062200
8	Pipe Plug	2	G56-12	2	G56-12
20	Backplate Assy, Brz Brgs	1	N2-664	1	N2-664
22	Hex Hd Cap Screw	28	G49-050125	28	G49-050125
45	Faceplate Assy, Plain, Brz Brgs	1	N3-85	1	N3-85
	Faceplate Assy, RV, Brz Brgs	1	N3-304	1	N3-304
46	Poppet	1	D16-112	1	D16-112
48	Spring, Std Press	1	G10-383	1	G10-383
	Spring, High Press	1	G10-386	1	G10-386
50	"O" Ring, RV Cap	1	G14-485	1	G14-485
51	RV Cap	1	P14-44	1	P14-44
52	Nut, Lock & Seal	1	G33-6	1	G33-6
53	Adjusting Screw	1	D15-42	1	D15-42
55	Hex Hd Cap Screw, RV	3	G49-050125	3	G49-050125
70	Key, Drive	1	D30-25	1	D30-25
71	Key, Gear	2	D30-10	2	D30-10
72	Drive Shaft	1	D1-2101	1	D1-2104
73	Idler Shaft	1	D1-2089	1	D1-2087
74	Gear, LH	1	P6-420	1	P6-421
75	Gear, RH	1	P6-290	1	P6-280
76	Ret Ring	2	G41-119	2	G41-119
85	Locknut	2	G43-12	2	G43-12
86	Pkg Gland Clip	2	D42-4	2	D42-4
87	Pkg Gland	1	P10-179	1	P10-179
89	Stud, Pkg	2	G2-4	2	G2-4
	Hex Hd Cap Screw, Mech Seal	2	G49-050150	2	G49-050150
91	Pkg Set	1	N43-3	1	N43-3
92	Pkg Washer	1	G8-249	1	G8-249
93	Seal Retainer	1	D23-267	1	D23-267
96	Mech Seal, Complete	1	G4-112	1	G4-112
97	Ret Ring	1	G41-155	1	G41-155

Backplate Assy includes Brz Brgs: (1) G5-264 and (1) G5-265

Faceplate Assy includes Brz Brgs: (2) G5-265



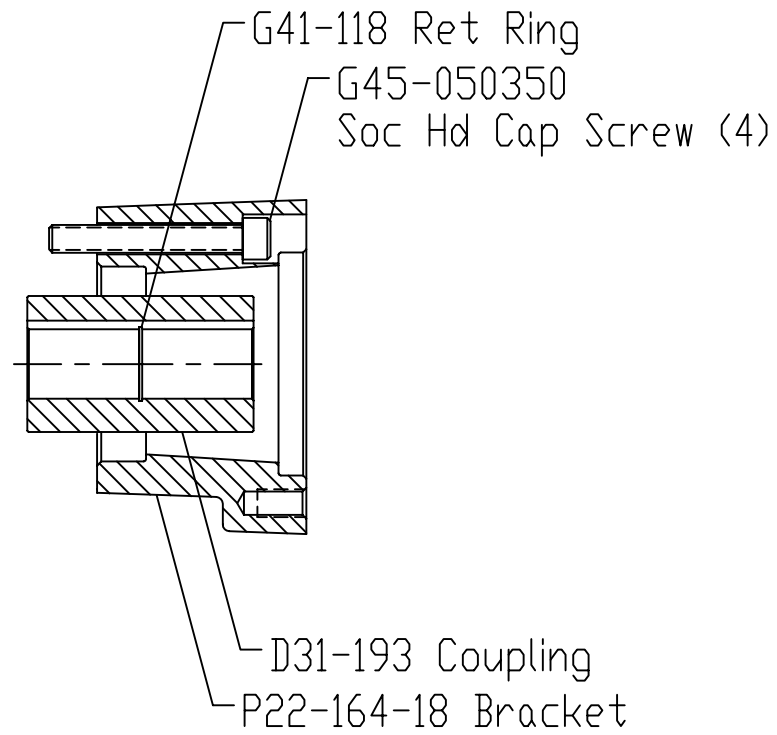
3635-4758 HB,F,RV

3635-4758 HB,F,RV

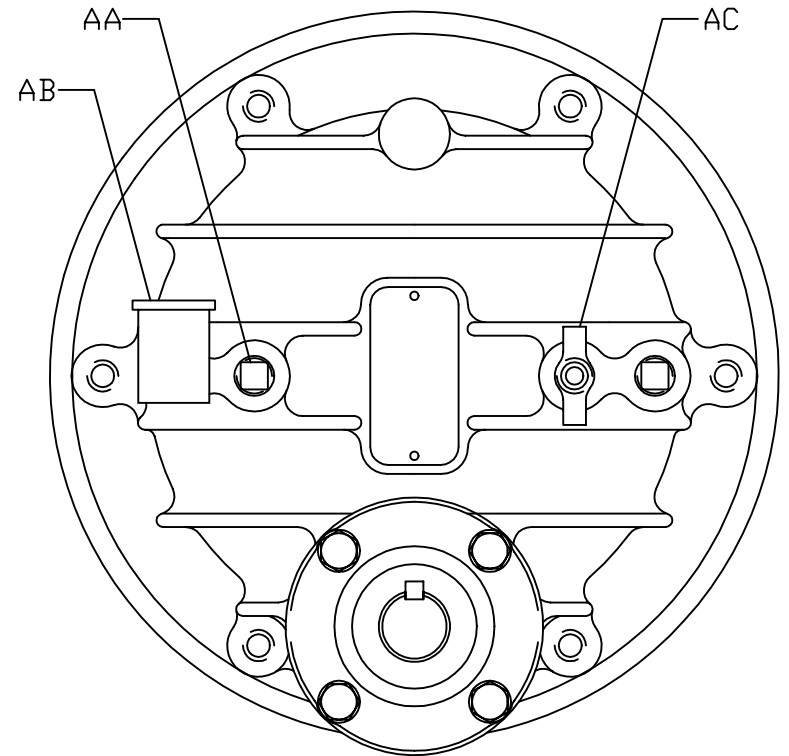
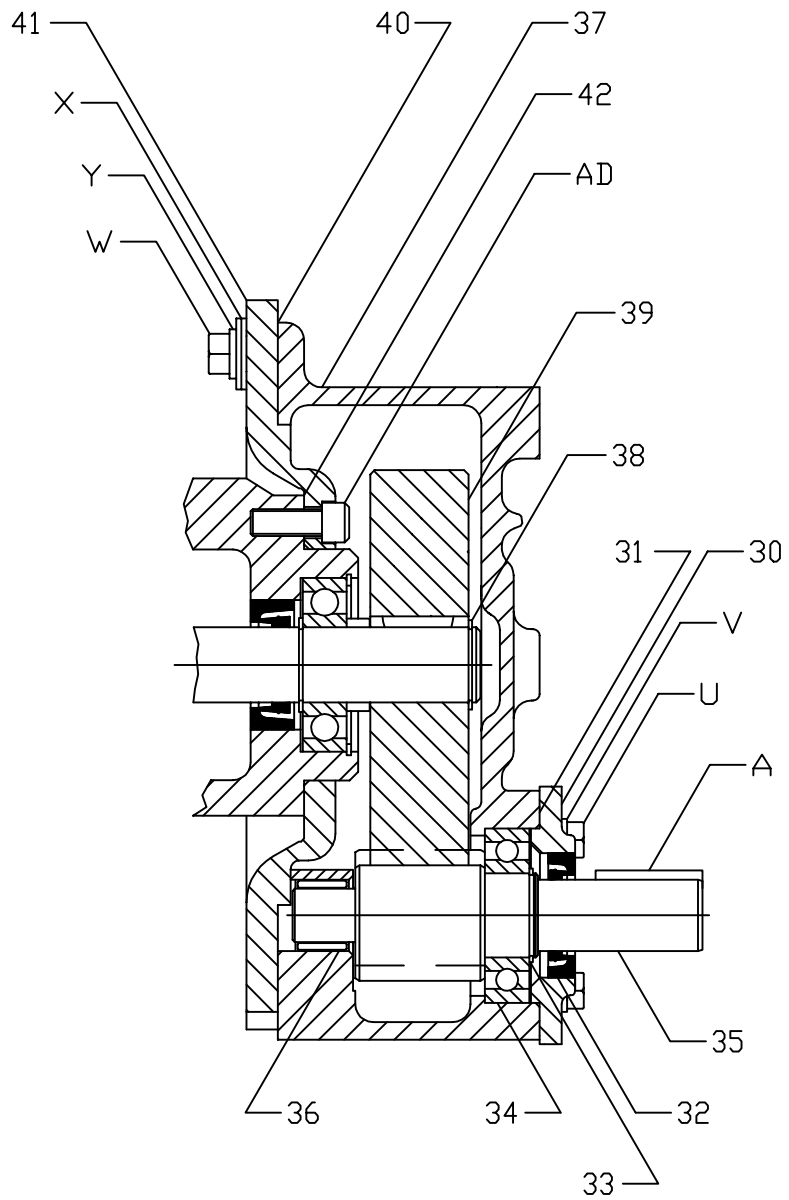
KEY NO.	DESCRIPTION	3635 & 3735		3658-4758	
		QTY	PART NO.	QTY	PART NO.
1	Case (36xx-37xx HB)	1	P-5140		N/A
	Case (36xx-37xx HBF)	1	P1-695	1	P1-229
	Case (46xx-47xx HBF)		N/A	1	P1-277
2	Gasket, Flange	2	D11-332	2	D11-283
3	Flange (36xx-37xx)	2	P23-35	2	P23-52
	Flange (46xx-47xx)		N/A	2	P23-52
4	Dowel Pin	4	D48-55	4	D48-55
5	Case Gasket	3	D441-492	3	D441-492
6	Hex Hd Cap Screw	8	G49-062200	8	G49-062200
8	Pipe Plug	2	G56-12	2	G56-12
20	Backplate Assy, Brz Brgs	1	N2-635	1	N2-635
22	Hex Hd Cap Screw	28	G49-050125	28	G49-050125
23	Ball Brg	1	G40-35	1	G40-35
24	Ret Ring	1	G41-5	1	G41-5
25	Lube Ftg	1	G63-1	1	G63-1
45	Faceplate Assy, Plain, Brz Brgs	1	N3-85	1	N3-85
	Faceplate Assy, RV, Brz Brgs	1	N3-304	1	N3-304
46	Poppet	1	D16-112	1	D16-112
48	Spring, Std Press	1	G10-383	1	G10-383
	Spring, High Press	1	G10-386	1	G10-386
50	"O" Ring, RV Cap	1	G14-485	1	G14-485
51	RV Cap	1	P14-44	1	P14-44
52	Nut, Lock & Seal	1	G33-6	1	G33-6
53	Adjusting Screw	1	D15-42	1	D15-42
55	Hex Hd Cap Screw, RV	3	G49-050125	3	G49-050125
70	Key, Drive	1	D30-216	1	D30-216
71	Key, Gear	2	D30-10	2	D30-10
72	Drive Shaft	1	D1-2006	1	D1-2009
73	Idler Shaft	1	D1-2089	1	D1-2087
74	Gear, LH	1	P6-291	1	P6-279
75	Gear, RH	1	P6-290	1	P6-280
85	Locknut	2	G43-12	2	G43-12
86	Pkg Gland Clip	2	D42-4	2	D42-4
87	Pkg Gland	1	P10-179	1	P10-179
89	Sq Hd Bolt, Pkg	2	G67-050300	2	G67-050300
	Sq Hd Bolt, Mech Seal	2	G67-050125	2	G67-050125
90	Spring Clip	1	D42-3	1	D42-3
91	Pkg Set	1	N43-3	1	N43-3
92	Pkg Washer	1	G8-249	1	G8-249
93	Seal Retainer	1	D23-267	1	D23-267
96	Mech Seal, Complete	1	G4-112	1	G4-112
97	Ret Ring	1	G41-155	1	G41-155

Backplate Assy includes Brz Brgs: (1) G5-264 and (1) G5-265

Faceplate Assy includes Brz Brgs: (2) G5-265



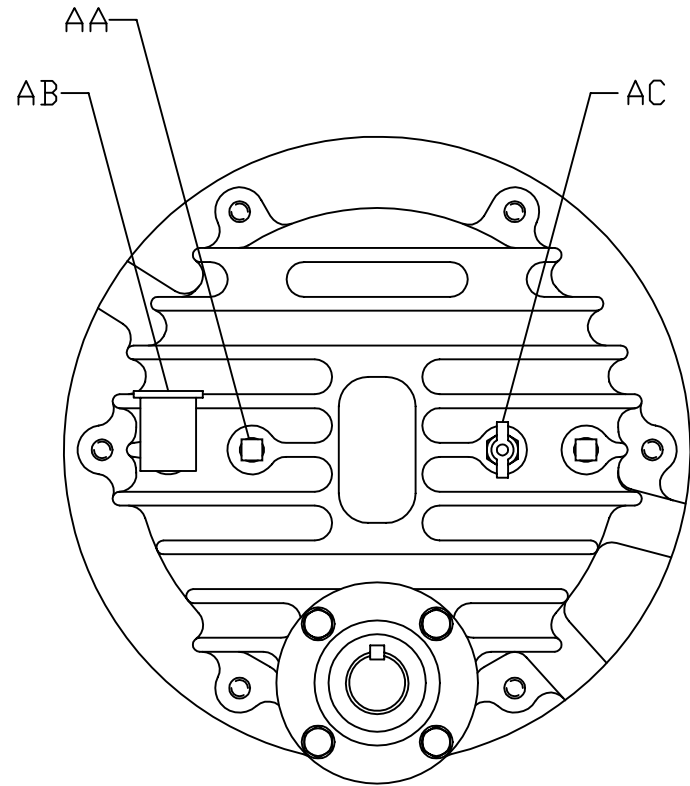
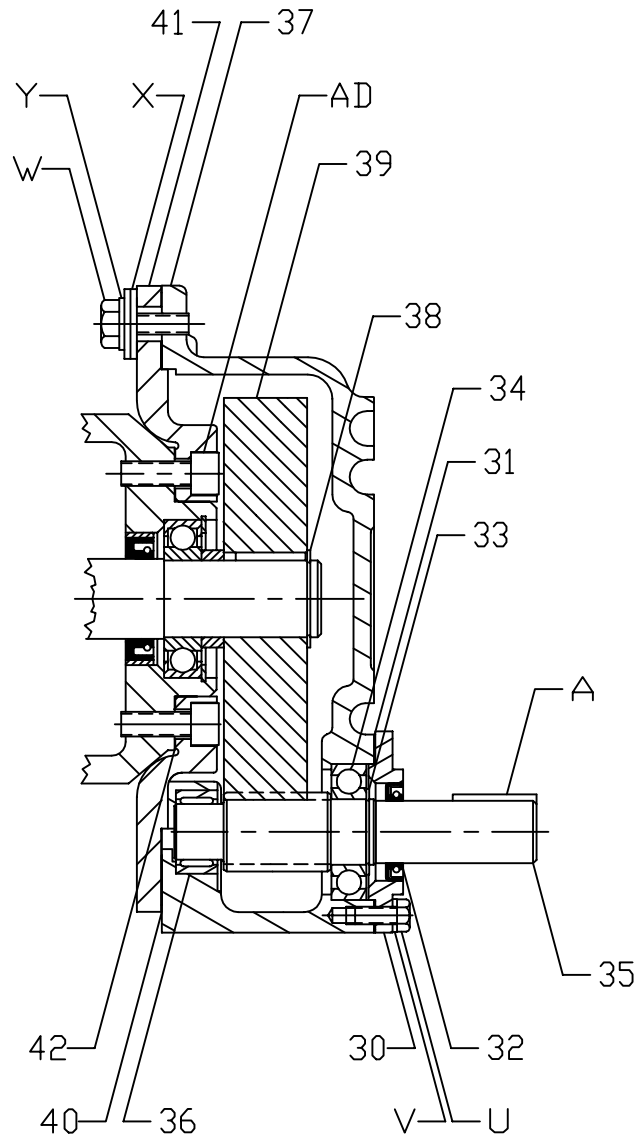
3635-4758 MBH,F,RV
COUPLING ASSEMBLY



N41-1

N41-XXX-1

KEY NO.	DESCRIPTION	N41-320-1		N41-394-1		N41-460-1	
		QTY	PART NO.	QTY	PART NO.	QTY	PART NO.
30	Bearing Retainer	1	P4-384	1	P4-384	1	P4-384
31	Bearing Retainer Gasket	1	D11-277	1	D11-277	1	D11-277
32	Lip Seal	1	D83-22	1	D83-22	1	D83-22
33	Retaining Ring	1	G41-78	1	G41-78	1	G41-78
34	Ball Bearing	1	G40-10	1	G40-10	1	G40-10
35	Pinion Gear and Shaft	1	D37-120	1	D37-117	1	D37-115
36	Needle Bearing	1	G40-30	1	G40-30	1	G40-30
37	Gear Case	1	P49-2	1	P49-2	1	P49-2
38	Retaining Ring	1	G41-76	1	G41-76	1	G41-76
39	Drive Gear	1	D37-64	1	D37-67	1	D37-69
40	Gear Case Gasket	1	D11-278	1	D11-278	1	D11-278
41	Gear Box Cover	1	P22-13	1	P22-13	1	P22-13
42	Cover Gasket	1	D11-276	1	D11-276	1	D11-276
A	Drive Key	1	D30-9	1	D30-9	1	D30-9
AA	Pipe Plug	2	G56-12	2	G56-12	2	G56-12
AB	Oil Cup	1	G61-239	1	G61-239	1	G61-239
AC	Petcock	1	G61-71	1	G61-71	1	G61-71
AD	Socket Head Cap Screw	4	G45-037100	4	G45-037100	4	G45-037100
U	Hex Head Cap Screw	4	G49-031075	4	G49-031075	4	G49-031075
V	Lockwasher	4	G8-71	4	G8-71	4	G8-71
W	Hex Head Cap Screw	6	G49-037125	6	G49-037125	6	G49-037125
X	Flat Washer	12	G8-52	12	G8-52	12	G8-52
Y	Lockwasher	6	G8-72	6	G8-72	6	G8-72



N41-3

N41-XXX-3

KEY NO.	DESCRIPTION	N41-426-3		N41-488-3		N41-566-3	
		QTY	PART NO.	QTY	PART NO.	QTY	PART NO.
30	Bearing Retainer	1	P4-384	1	P4-384	1	P4-384
31	Bearing Retainer Gasket	1	D11-277	1	D11-277	1	D11-277
32	Lip Seal	1	G17-84	1	G17-84	1	G17-84
33	Retaining Ring	1	G41-78	1	G41-78	1	G41-78
34	Ball Bearing	1	G40-10	1	G40-10	1	G40-10
35	Pinion Gear and Shaft	1	D37-119	1	D37-118	1	D37-116
36	Needle Bearing	1	G40-51	1	G40-51	1	G40-51
37	Gear Case	1	P49-6	1	P49-6	1	P49-6
38	Retaining Ring	1	G41-80	1	G41-80	1	G41-80
39	Drive Gear	1	D37-91	1	D37-93	1	D37-95
40	Gear Case Gasket	1	D11-305	1	D11-305	1	D11-305
41	Gear Box Cover	1	P22-25	1	P22-25	1	P22-25
42	Cover Gasket	1	D11-304	1	D11-304	1	D11-304
A	Drive Key	1	D30-9	1	D30-9	1	D30-9
AA	Pipe Plug	2	G56-12	2	G56-12	2	G56-12
AB	Oil Cap	1	G61-239	1	G61-239	1	G61-239
AC	Petcock	1	G61-71	1	G61-71	1	G61-71
AD	Socket Head Cap Screw	4	G45-050125	4	G45-050125	4	G45-050125
U	Hex Head Cap Screw	4	G49-031075	4	G49-031075	4	G49-031075
V	Lockwasher	4	G8-71	4	G8-71	4	G8-71
W	Hex Head Cap Screw	6	G49-050125	6	G49-050125	6	G49-050125
X	Flat Washer	12	G8-54	12	G8-54	12	G8-54
Y	Lockwasher	6	G8-74	6	G8-74	6	G8-74