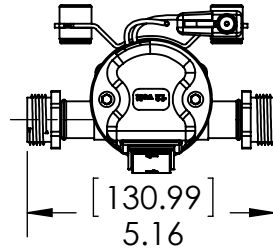
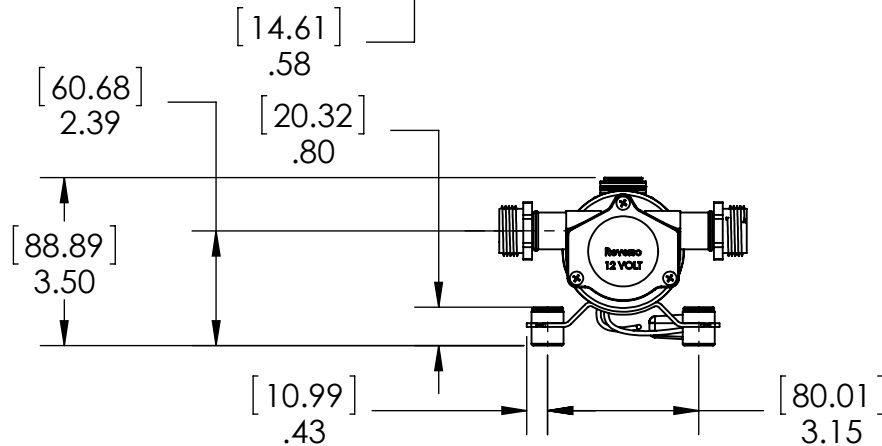
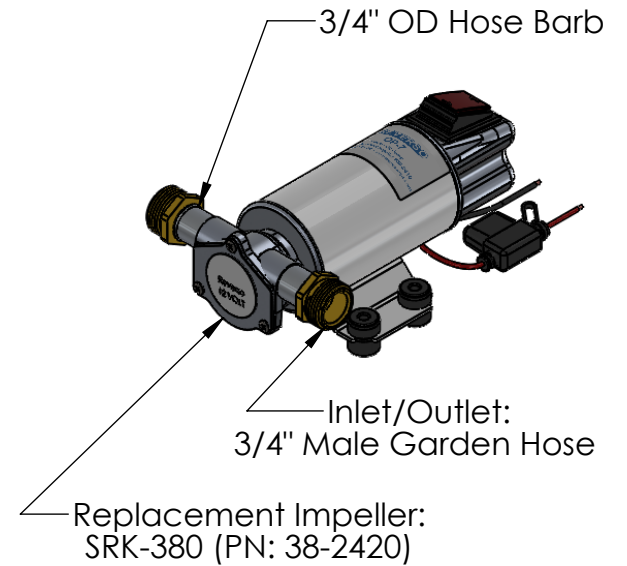
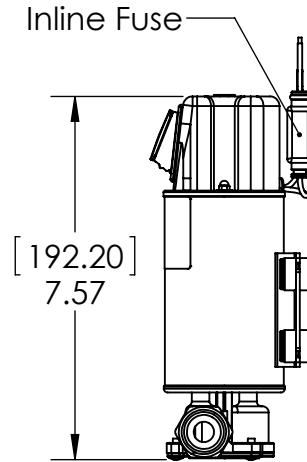
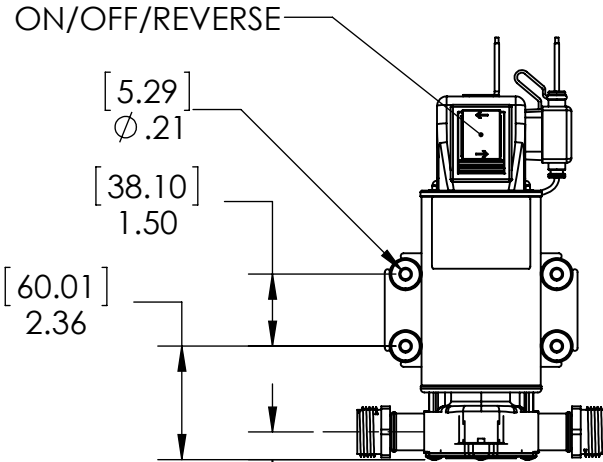


Part #: 33-2300-01-1-2-1



All Dimensions for Reference Only  
Secondary Dimensions in Millimeter



Standard Fitting:

- 3/4" Male Garden Horse
- 3/4" OD Hose Barb

**TECHNICAL SPECIFICATIONS**

Port Size - 3/4" MGH  
Weight - 4 lb.  
Power - 12 VDC  
Fuse - 10amp 12Volt  
Flow Rate - 7.4 GPM

**PROPRIETARY AND CONFIDENTIAL**

THE INFORMATION CONTAINED IN THIS DRAWING IS THE SOLE PROPERTY OF **REVERSO PUMPS**. ANY REPRODUCTION IN PART OR AS A WHOLE WITHOUT THE WRITTEN PERMISSION OF **REVERSO PUMPS** IS PROHIBITED.

UNLESS OTHERWISE SPECIFIED:

DIMENSIONS ARE IN INCHES  
TOLERANCES:  
FRACTIONAL ±1/64  
ANGULAR: MACH ± BEND ±0.2  
TWO PLACE DECIMAL ±.01  
THREE PLACE DECIMAL ±.005  
DO NOT SCALE DRAWING

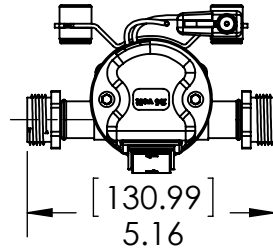
	NAME	DATE
DRAWN	JC	7/8/2016
CHECKED	JC	7/27/2016
ENG APPR.		
MFG APPR.		
Q.A.		
COMMENTS:		

**REVERSO PUMPS**

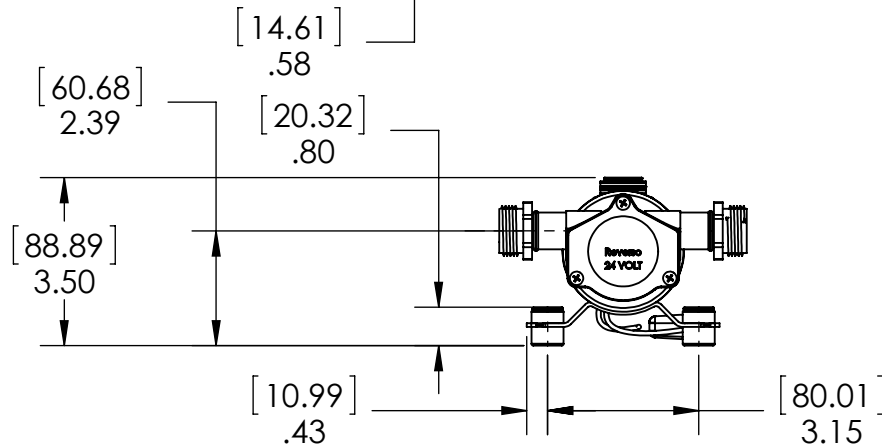
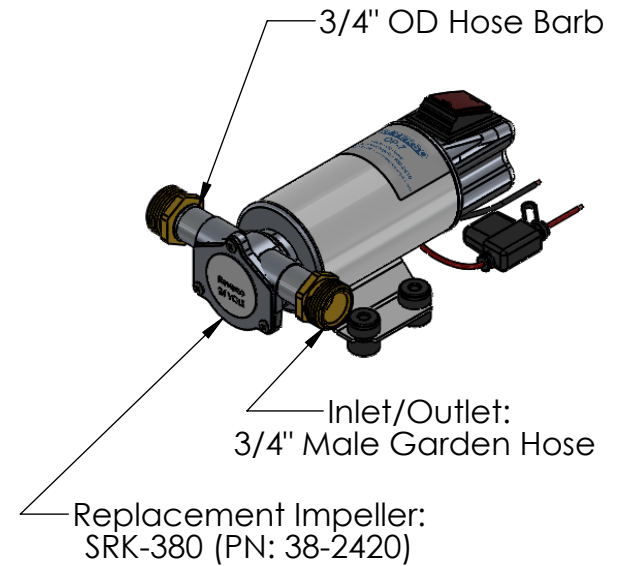
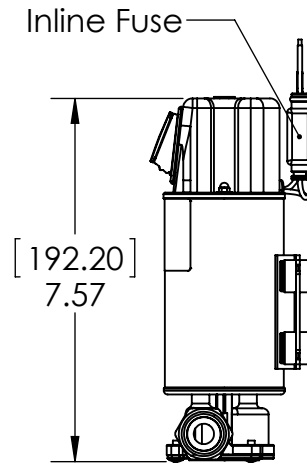
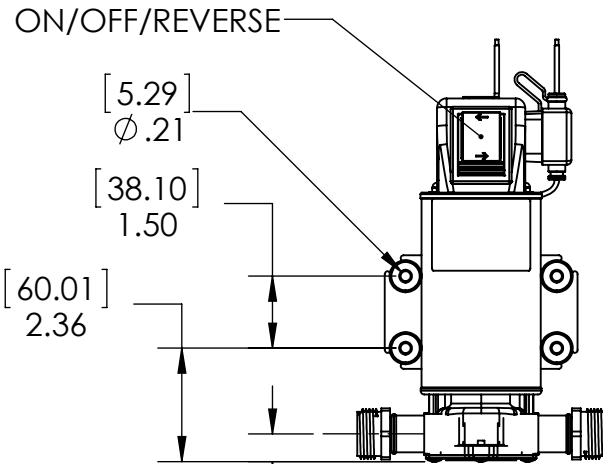
TITLE:  
**OP-7-12 12Volt Pump-  
Transfer Impeller - 3/4" MGH  
x 3/8" MBSPP**

SIZE	DWG. NO.	REV
<b>A</b>	<b>OP-7-ER-0716</b>	<b>A</b>

Part #: 33-2300-02-1-2-1



All Dimensions for Reference Only  
Secondary Dimensions in Millimeter



Standard Fitting:

- 3/4" Male Garden Horse
- 3/4" OD Hose Barb

**TECHNICAL SPECIFICATIONS**

Port Size - 3/4" MGH  
Weight - 4 lb.  
Power - 24VDC  
Fuse - 7.5amp 24Volt  
Flow Rate - 7.4 GPM

**PROPRIETARY AND CONFIDENTIAL**

THE INFORMATION CONTAINED IN THIS DRAWING IS THE SOLE PROPERTY OF **REVERSO PUMPS**. ANY REPRODUCTION IN PART OR AS A WHOLE WITHOUT THE WRITTEN PERMISSION OF **REVERSO PUMPS** IS PROHIBITED.

UNLESS OTHERWISE SPECIFIED:

DIMENSIONS ARE IN INCHES  
TOLERANCES:  
FRACTIONAL ±1/64  
ANGULAR: MACH ± BEND ±0.2  
TWO PLACE DECIMAL ±.01  
THREE PLACE DECIMAL ±.005  
DO NOT SCALE DRAWING

	NAME	DATE
DRAWN	JC	7/8/2016
CHECKED	JC	7/27/2016
ENG APPR.		
MFG APPR.		
Q.A.		
COMMENTS:		

**REVERSO PUMPS**

TITLE:  
**OP-7-24 24Volt Pump-  
Transfer Impeller - 3/4" MGH  
x 3/8" MBSPP**

SIZE	DWG. NO.	REV
<b>A</b>	<b>OP-7-ER-0716</b>	<b>A</b>
SCALE: 1:4	WEIGHT:	SHEET 9 OF 12