

RARITAN'S BIDET/SEAT

Installation and Maintenance Instructions

THE FOLLOWING ARE CAUTIONARY STATEMENTS THAT MUST BE READ AND FOLLOWED DURING BOTH INSTALLATION AND OPERATION

WARNING: *Raritan Engineering Company, Inc. recommends that a qualified person or technician install this product. Equipment damage or injury to personnel could result from improper installation. Raritan Engineering Company, Inc. accepts no responsibility or liability for damage to equipment or injury to personnel that may result from improper installation or operation of this product.*

WARNING: **Hazard of Scalding** - Water temperature over 125°F can cause severe burns instantly.

INTRODUCTION

The Raritan bidet/seat is an accessory that may be added to existing Raritan Atlantes, Hi-Boy Crown Head, Hi-Boy Crown Head II and Jett marine toilet installations. Raritan's bidet/seat provides easy personal hygiene and relief from specific discomforts for any member of your family. It provides comfortable water temperature adjustment and selection of one or two retractable water nozzles for male or female use. All components are noncorrosive and easily cleaned and the unit will not interfere with the toilet's normal operation. The bidet/seat uses onboard pressurized fresh hot and cold water and is plumbed so that it operates completely independent of the marine toilet itself. Minimum operating water pressure of 20 psi.

OPERATION

WARNING: Hazard of Scalding

To turn on the bidet/seat water, move the handle of the mixer valve (see exploded parts view on page 4, item #2) towards the rear. To control the water temperature move the handle of the mixer valve to the left or right. Hot is to the left and cold is to the right when facing the mixer valve. Front/rear adjustment of the water nozzles is accomplished via the control valve (see exploded parts view on page 4, item #10).

MAINTENANCE

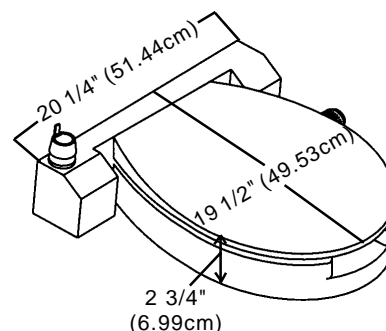
Periodically inspect all plumbing connections for leaks. If the optional push-button rocker flushing

switch is installed, check wire terminals and connections for corrosion semiannually. Cleaning and/or sanitation of the bidet/seat may be done with a sponge or damp cloth and mild soap, detergent or Bon Ami®. Never use chemicals that contain ammonia, ethyl acetate, phosphoric acid or concentrated chlorine bleach; they may damage the bidet/seat or the internal working parts of the attached marine toilet.

STORAGE

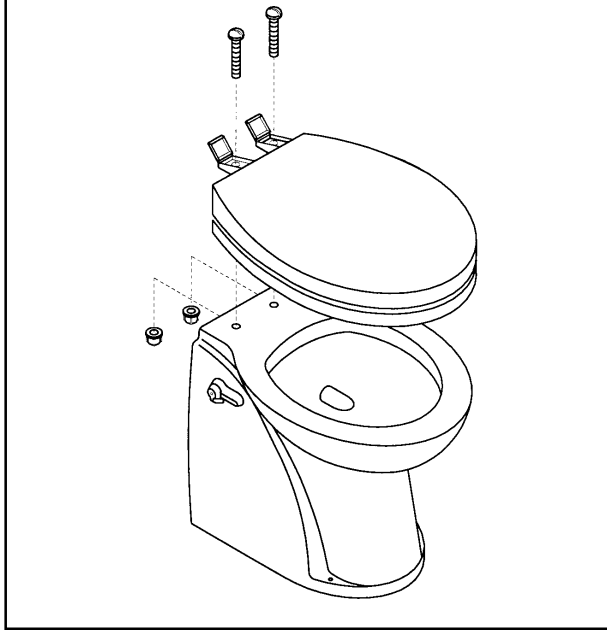
For short term storage (up to two weeks in above freezing temperatures), simply turn off onboard water pressure pump and insure that the hot/cold mixer valve is in the off position and there is no dripping from the nozzles at the front and rear of the seat. For long term storage (more than two weeks in above freezing temperatures) turn off water supply valves to the bidet/seat, turn on mixer valve until

Raritan's Bidet/Seat Dimensions



Bon Ami® is a registered trademark of Faultless Starch/Bon Ami Co.

Figure #1 Removal of existing toilet seat



water stops coming out, then turn off mixer valve. If below freezing temperatures are expected inside the boat, see Winterization.

WINTERIZATION

IMPORTANT: Damage caused by improper winterization and/or freezing of fittings and component parts is not covered by Raritan's Limited Warranty.

Winterization is accomplished by turning off the hot and cold water supply to the bidet/seat, then disconnecting both water lines from their connections on the mixer valve (see exploded parts view on page 4, item #2) and allowing the water to drain from the seat/bidet. Do not use antifreeze in the bidet/seat.

Figure #2 Center-to-Center Distance of Seat Mounting Holes



Figure #3 Underside of Bidet/Seat Mounting Plates

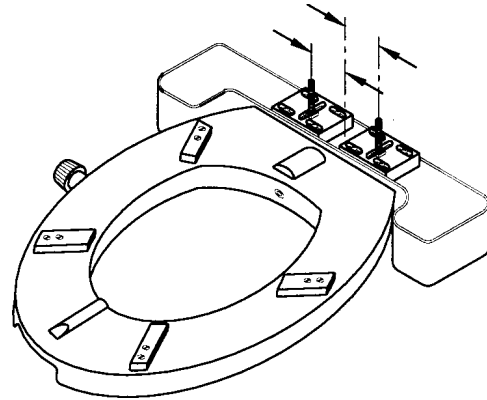
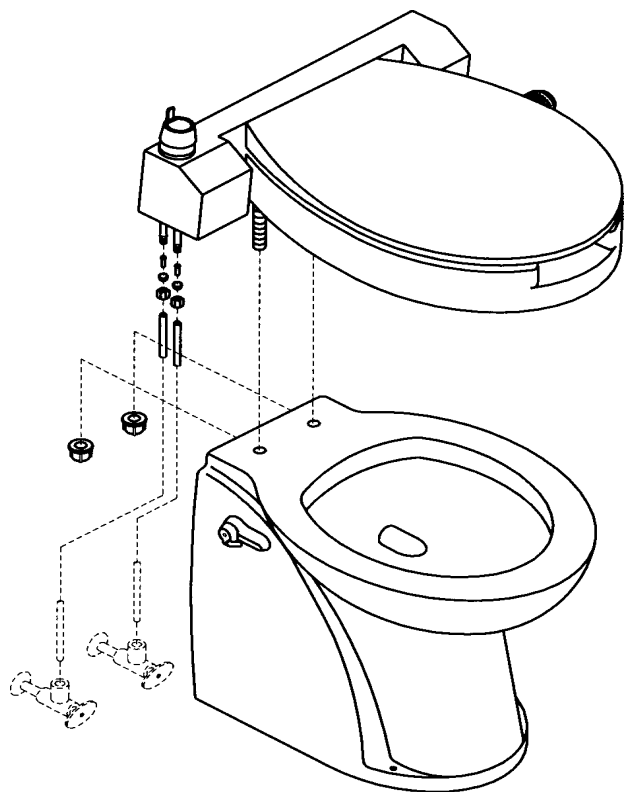


Figure #4 Mounting Bidet/Seat



When recommissioning in the spring, simply reattach the water lines to their correct threaded fittings on the mixer valve and restore pressurized water to the bidet/seat.

SYSTEM COMPONENTS

All bidet/seats are packaged with mounting hardware and ten feet of 1/4 inch OD Poly Tubing and four compression nuts. Specific parts such as shutoff valves, hoses, additional lengths of tubing, clamps,

wire, circuit breakers, etc. must be supplied by the installer.

INSTALLATION

- 1 Remove existing toilet seat by unscrewing seat mounting bolts (see Figure #1).
- 2 Install bidet/seat mounting bolts onto the adjustable mounting plates. They can be held in position by using the retaining washers provided.
- 3 Measure center-to-center distance of seat mounting holes on bowl (see Figure #2). Adjust mounting plates on underside of bidet/seat to the same center-to-center distance, leaving square-headed mounting bolts in place (Figure #3). Be sure the two bolts are the same distance from the center of the bidet/seat.
- 4 Install bidet/seat onto toilet, placing mounting bolts into mounting holes on toilet, then install mounting nuts and tighten, be sure bidet/seat is in correct position (see Figure #4). **DO NOT OVERTIGHTEN NUTS!**

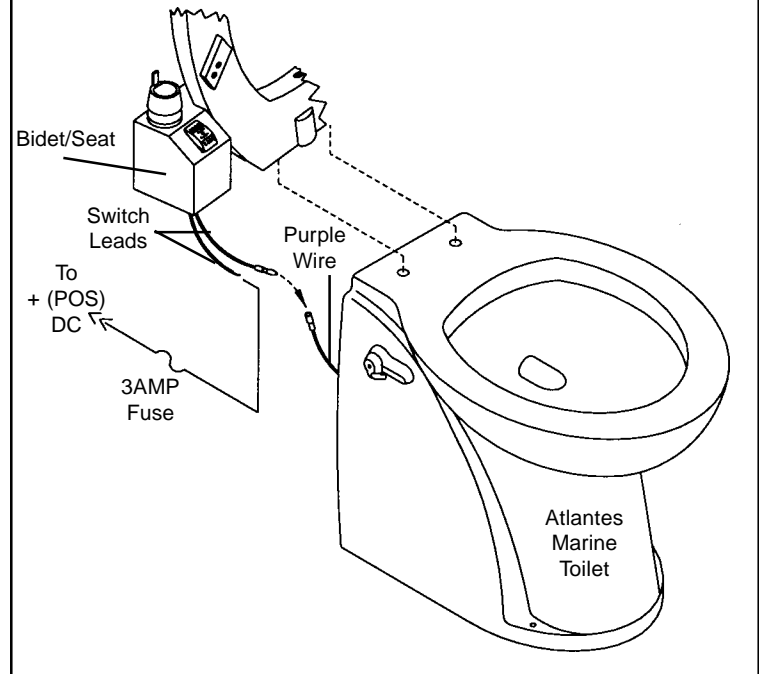
PLUMBING

- 1 Hot and cold water shutoff valves should be installed in the piping. Mount each valve in a convenient, accessible location in its respective hot or cold water supply line.
- 2 From the shutoff valve, the cold water line is plumbed to the blue/green colored connection on the bottom of the mixer valve, and the hot water line is plumbed from the hot water shutoff valve to the red/orange colored connection at the bottom of the mixer valve. Be sure all connections are secured properly and tightened.
- 3 Turn on hot and cold water supply and check all fittings for leaks.

ELECTRICAL

An optional push-button rocker switch kit is available for installation on toilets where access to the flushing handle may be obscured when the bidet/seat is installed. This push-button switch can be shipped separate for remote mounting or it can be shipped

Figure #5 Wiring Diagram with Atlantes



preinstalled on the bidet/seat.

Atlantes (see Figure #5):

- 1 Connect purple wire from switch to purple wire from the back of the Atlantes toilet.
- 2 Connect the red wire (with the inline 3 AMP fuse-provided) from switch to the positive DC source. Refer to Atlantes for proper voltage.

Other electric toilets: Do not operate toilet directly from switch. A power switching relay must be used.

BIDET EXPLODED PARTS VIEW

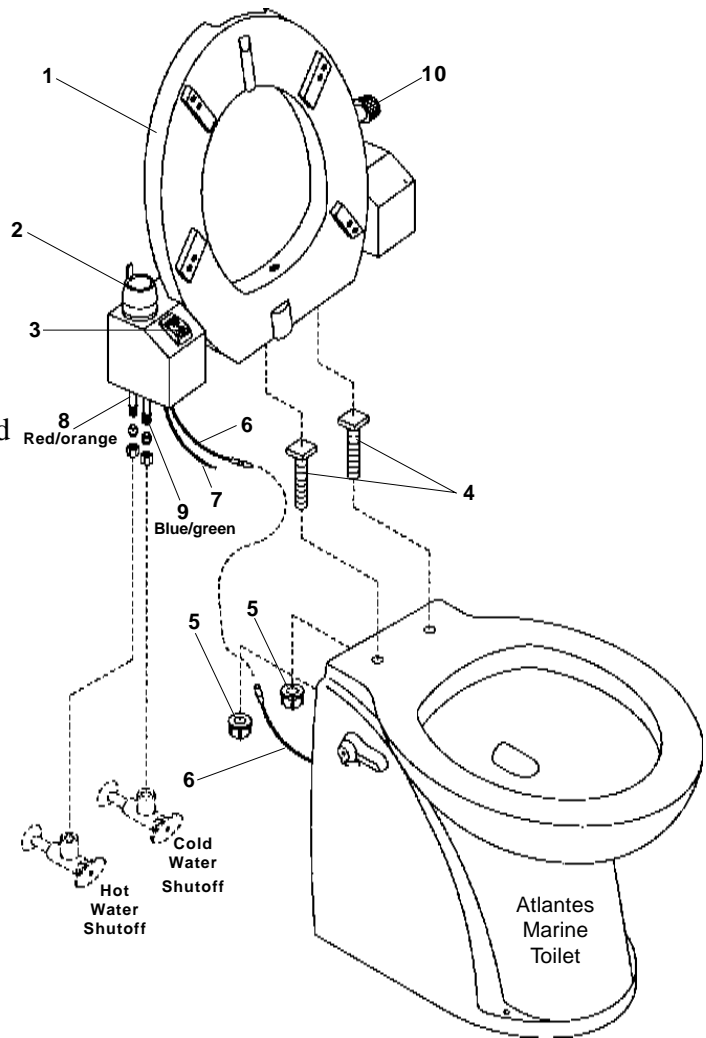
PARTS AND COMPONENTS

Item # Description

- 1 Raritan's Bidet Unit
- 2 Mixer Valve (Hot/Cold/Pressure)
- 3 Push-button Switch (Optional)
- 4 Mounting Bolts
- 5 Mounting Nuts
- 6 Purple toilet activation wire (used with optional push-button switch only)
- 7 Red wire to fused DC source voltage (used with optional push-button switch only)
- 8 Hot water connections
- 9 Cold water connections
- 10 Nozzle Adjustment Valve (Front/Rear)

Part # Description

- BDA01 Bidet, almond, standard
- BDA02 Bidet, almond, w/Atlantes switch kit
- BDW01 Bidet, white, standard
- BDW02 Bidet, white, w/Atlantes switch kit
- BDSK Bidet switch kit
- BDTK Bidet tubing kit
- EF3 Fuse: 3 AMP (not shown)
- EFH01 Fuse Holder: In-line ATO (not shown)
- BD02 Mixer Valve (#2)
- BD05 Mounting Bolts w/nuts (#4 and #5)
- BD10 Nozzle Adjustment valve (# 10)



LIMITED WARRANTY

Raritan Engineering Company warrants against factory defects in material and workmanship for one (1) year. The manufacturer and/or distributor is not responsible for damages caused to the equipment during installation, removal, misuse, or service by other than the factory. No return will be accepted after SEVENTY-TWO HOURS from the time of delivery or if the product has been used. Only returns for factory defects will be granted. To obtain warranty services, you must return the product, shipped prepaid to Raritan engineering Company, 530 Orange Street, P.O. Box 1157, Millville, NJ 08332 USA.

Except as otherwise expressly stated in the previous paragraph, the COMPANY MAKES NO REPRESENTATION OR WARRANTY OF ANY KIND, EXPRESS OR IMPLIED, AS TO MERCHANTABILITY, FITNESS FOR A PARTICULAR PURPOSE, OR ANY OTHER MATTER WITH RESPECT TO THIS PRODUCT. Company shall not be liable for, and purchaser assumes responsibility for, all personal injury and property damages resulting from the handling, possession or use of this product by Purchaser or others who obtain it through purchaser.



RARITAN
Engineering Company, Inc.

530 Orange Street, P.O. Box 1157, Millville, NJ 08332 USA
 Telephone: 609-825-4900 FAX: 609-825-4409
 Southern Office and Plant:
 3101 SW Second Avenue, Fort Lauderdale, FL 33315 USA
 Telephone: 954-525-0378 FAX: 954-764-4370