

Established 1958

RARITAN

Marine Products for Power & Sail



1700 SERIES WATER HEATER



World-renowned water heater specially designed for the marine environment. Provides the comfort and convenience of reliable hot water.

Benefits

- Simple installation – retrofits to most on-board pressure systems
- Proven long-life design
- Withstands the rigors of the marine environment
- Glass-lined steel tank is more durable than stainless steel
- Attractive polymer jacket resists corrosion from dampness
- Ignition-protected, adjustable thermostat
- Round tanks are designed to withstand more pressure than square tanks
- Glass-lined steel tank for long life and high efficiency
- Environmentally friendly CFC-free foam insulation
- Replaceable magnesium anode to protect tank and neutralize acids in the water
- The tank is covered by a five-year Limited Warranty
- Each unit is assembled by hand, individually tested and backed by Raritan's two-year Limited Warranty and legendary technical support team

Options

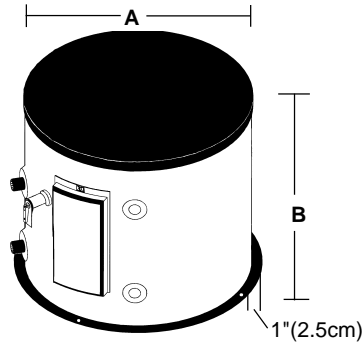
- Available in 6, 12 and 20 gallon models – with or without engine heat exchangers
- Available for 120V AC or 240V AC

Raritan manufactures equipment for pleasure boats throughout the world. Products include marine toilets, waste treatment systems, icemakers and water heaters.

Committed to the environment and preserving sea life, Raritan designs products to help maintain an environmental balance and ensure the quality of marine waters. In addition, the company has achieved ISO 9001:2000 certification for quality.

Innovation Through Experience

1700 SERIES WATER HEATER

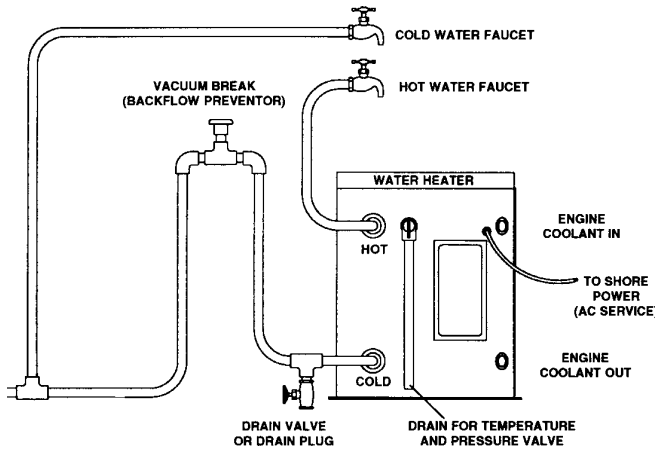


Size	A	B	Shipping Wt.
6 gal.	14 1/2" (36.9cm)	16 1/4" (41.9cm)	36lbs/16kg
12 gal.	18 3/4" (47.6cm)	16 1/4" (41.9cm)	62lbs/28kg
20 gal.	18 3/4" (47.6cm)	24 1/4" (60.6cm)	81lbs/37kg

The "1700 Series" water heater provides hot water for galley and shower. Dense foam insulation provides better and longer heat retention than traditional fiberglass. The tank itself is protected by a 75 PSIT&P (temperature and pressure) relief valve. The cylindrical design of the tank enables it to withstand more pressure than a cube shaped tank.

Heat exchanger models can be connected to the engine cooling system. This provides the added convenience of hot water when underway or generator power is not available. The innovative heat exchanger is over seven feet in length and is evenly coiled throughout the interior of the tank, providing hot water rapidly and efficiently.

Raritan's water heaters use an ignition protected thermostat. Although it is factory set to 120°F, it is adjustable from 110° to 160°F and has a safety shut down limit of 190°F. All models and sizes have the plumbing connections on the same side to simplify installation. Hot and cold water connections are 3/4" male NPT (National Pipe Thread). Heat exchanger connections are 3/4" female NPT.



17	Water Heater	06	six gallon	0	without heat exchanger	1	120V AC	01	GAZ heat exchanger fittings
		12	twelve gallon	1	with heat exchanger	2	220V AC	02	METRIC heat exchanger fittings
		20	twenty gallon					03	4500 W heating element 240VAC only

RARITAN

For more information contact:

Raritan Engineering Company Inc.
 530 Orange Street, PO Box 1157
 Millville, NJ 08332, USA
 Telephone: 856-825-4900
 FAX: 856-825-4409
 e-mail: info@raritaneng.com
www.raritaneng.com

Southern Plant and Office
 3101 SW 2nd Avenue
 Ft. Lauderdale, FL 33315 USA
 Telephone: 954-525-0378
 FAX: 954-764-4370



L1015s 1100srif

Innovation Through Experience