

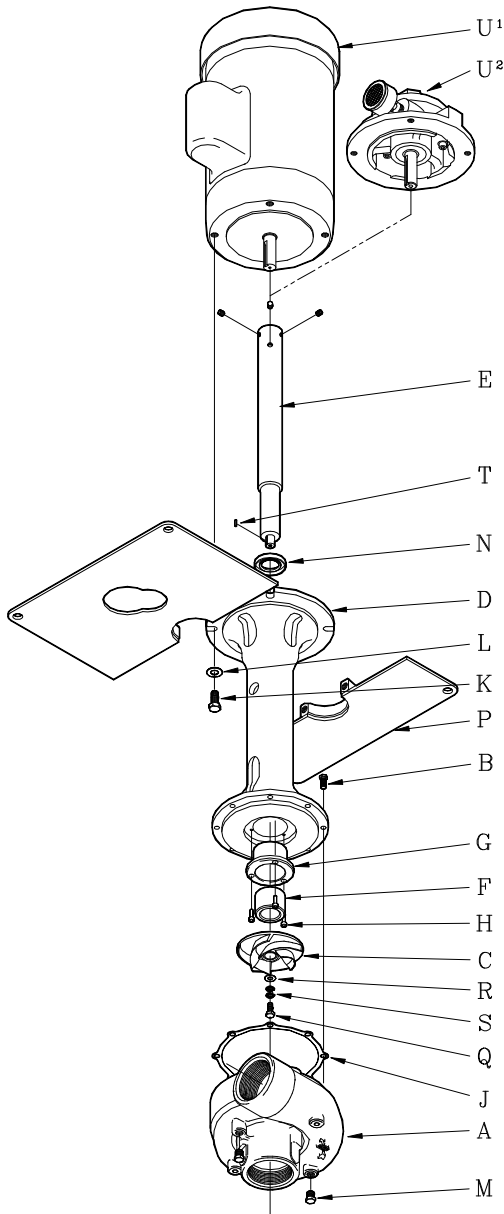


**PRICE PUMP CO.**

**RC-V Parts List**

New (June 1996) Keyed Shaft Style

Effective: March 25, 1998



	<u>RC200V</u>	<u>RC200/300V</u>	<u>RC300V</u>
A. Volute	0183		0120
B. Volute Bolts (8 rqd)		0376	
C. Impeller (Iron)	*4184-dia		*4230-dia
	*4128-dia		*4119-dia
D. Column Assembly			
13" CI		0396-8	
13" SS		0467	
20" SS		0466	
32" SS		0472	
44" SS		0469	
E. 5/8" ID Shaft w/Setscrews			
13" SS		*2431-1	
20" SS		*2432-1	
32" SS		*2433-1	
44" SS		*2434-1	
. 7/8" ID Shaft w/Setscrews			
13" SS		*2436-1	
20" SS		*2437-1	
32" SS		*2438-1	
44" SS		*2439-1	
Shafts Includes: 1 Half Dog Setscrew		0566	
3 Cup Point Setscrews		0680	
F. Bushing Plate		0747	
H. Bushing Plate Screws (3 rqd)		0256	
I. Bushing			
Carbon Graphite (std)		0676	
Glass Filled Teflon® (opt)		1135	
** Silicon Carbide (opt)		0616	
Bushing plate for Silicon Carbide		0747ASC	
Pin SS for Glass Filled Teflon® & Silicon Carbide (1 rqd)		0727	
J. Gasket Syn fiber		0506	
K. Motor Bolts (4 rqd)		0592	
L. Motor Bolt Washers (4 req 13" CI only)		3081	
M. 1/8" Pipe Plugs (2 rqd)		0559	
N. Fume Barrier (opt)			
Viton® for 5/8" ID shaft		0875	
Viton® for 7/8" ID shaft		0877	
Teflon® for 5/8" ID shaft		0876	
Teflon® for 7/8" ID shaft		0878	
P. Plate Assembly (opt)			
12 x 12 Sq Steel		0923	
12 x 12 Sq Stainless Steel		0924	
Q. Impeller Lockdown Bolt		*0575	
R. Impeller Lockdown Washer		*2423	
S. Impeller Lockwasher (2 Rqd)		*2344	
T. Impeller Lockdown Key		*2424	
U <sup>1</sup> . Motor - Specify P/N			
U <sup>2</sup> . Air Motor - Specify P/N			

\* **Note:** These part numbers are the new **keyed** style parts. For the old **threaded** style part numbers review the RC-V Parts List dated January 1993.

\*\* **Note:** If using an optional silicon carbide bushing, the shaft must be tungsten coated - Contact Factory

**Price® Pump Company**

21775 8th Street East ♦ P.O. Box Q ♦ Sonoma, CA 95476-0329 ♦ (707) 938-8441 ♦ Fax (707) 938-0764

(RCVpart6.doc Parts 98)

SS = Stainless Steel
CI = Cast Iron

**Price® Pump Company**

21775 8th Street East ♦ P.O. Box Q ♦ Sonoma, CA 95476-0329 ♦ (707) 938-8441 ♦ Fax (707) 938-0764