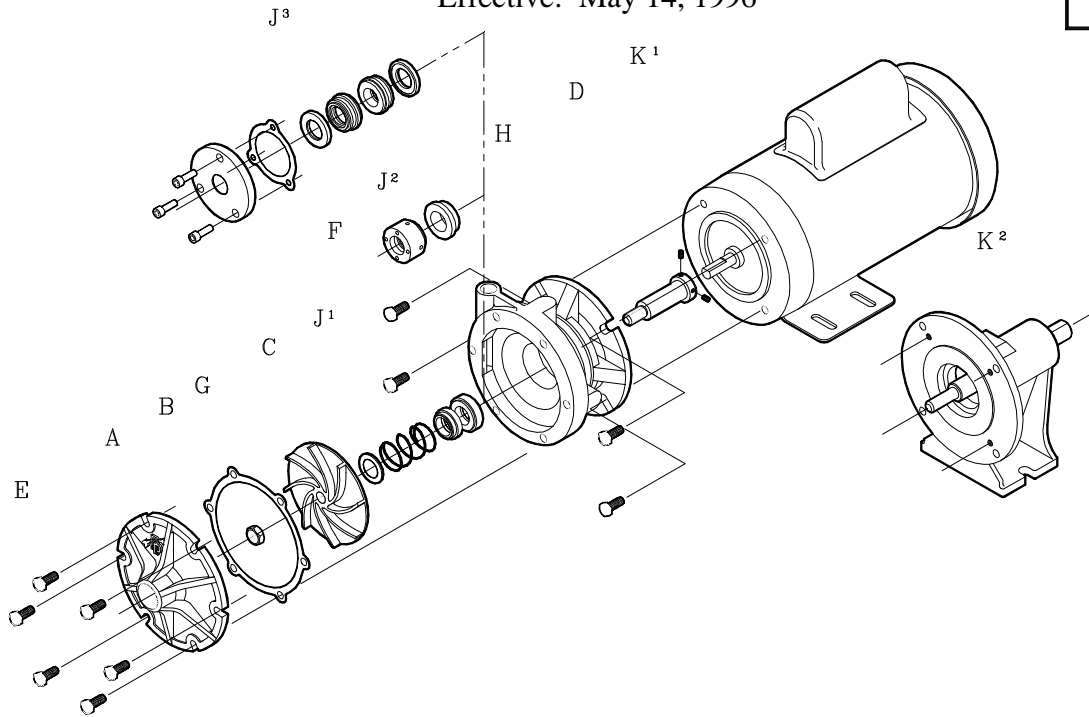




PRICE PUMP CO.

LT25 PARTS LIST

Effective: May 14, 1996



	<u>LT25AB</u>	<u>LT25SS</u>
A. Volute Cover	0312	0313
B. Gasket	0317 (Syn. Fiber)	0318 (PTFE)
C. Impeller	0314-3.34	0315-3.34
D. Shaft w/ Setscrews	0316-1	0316-1
E. Volute Bolts (6 rqd)	0376	0917
F. Motor Bolts (4 rqd)	0591	0591
G. Impeller Lockdown	0897	0897
H. Volute Bracket	0310	0311
w/Internal single flush	N/A	0311-4
w/External single flush	0310-2	0311-2
for Double Seal	N/A	0311-1
Seal with Seat:		
J ¹ . T.21 Single Seal/seat Fluorocarbon (std)	0553	0553
J ² . T.9 Single Seal/seat PTFE	1150	1150
J ³ . T.21 Double Fluorocarbon Seal/seat		N/A Specify P/N
DS Seal Cover		0973
DS Seal Cover Gasket, PTFE		0974
Seal Cover Bolts (3 rqd)		0256
K ¹ . Motors	<u>Specify P/N Below</u>	
1/8HP, 1800 RPM, 1/60/115/230, TEFC	1608	
1/3HP, 3600 RPM, 1/60/115/230, DP	1438	
1/3HP, 3600 RPM, 1/50/60/100/200/115/230, TEFC	1439	
1/3HP, 3600 RPM, 3/50/60/220/440/230/460, TEFC	1440	
1/3HP, 3600 RPM, 1/50/60/115/230, X-P	1441	
1/3HP, 3600 RPM, 3/50/60/220/440/230/460, X-P	1442	
K ² . Power Frame	0500	

LT Repair Parts Kits		
Bronze	P/N 0725	Syn. Fiber Gasket, Shaft w/setscrews
Stainless	P/N 0726	PTFE Gasket, Shaft w/setscrews
Note: Seal/seat must be ordered in addition to repair kit.		
5/8" T.21 Fluorocarbon Seal is standard. Option: 5/8" T.9 Seal		

Price® Pump Company

21775 8th Street East ♦ P.O. Box Q ♦ Sonoma, CA 95476-0329 ♦ (707) 938-8441 ♦ Fax (707) 938-0764