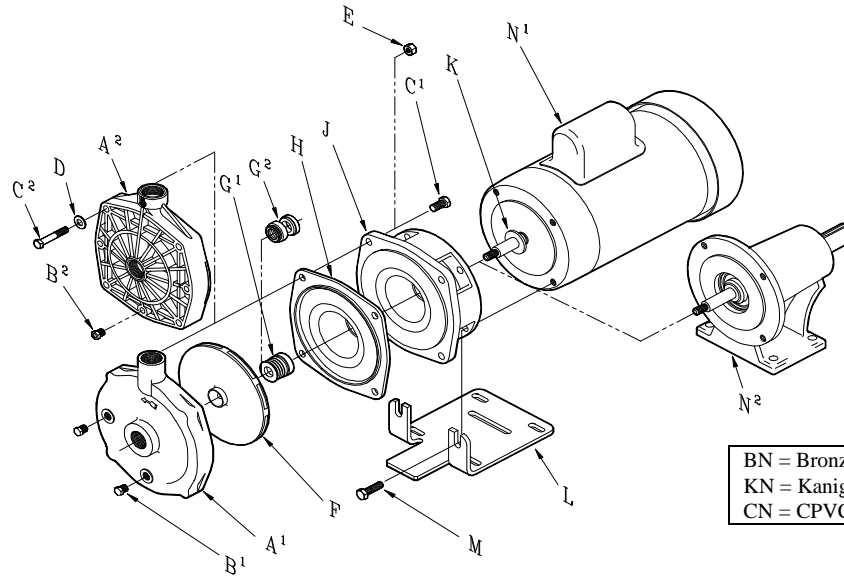




**PRICE PUMP CO.**

**HP Parts List**

Effective: May 9, 2001



BN = Bronze Nonmetallic  
 KN = Kanigen Nonmetallic  
 CN = CPVC Nonmetallic

		<u>HP75BN</u>	<u>HP75KN</u>	<u>HP75CN</u>
A.	Volute	0229 (A <sup>1</sup> )	0229KP (A <sup>1</sup> )	8300CP (A <sup>2</sup> )
B.	1/8" Pipe Plug	0558 (B <sup>1</sup> )(2 rqd)	0559 (B <sup>1</sup> )(2 rqd)	8012PF (B <sup>2</sup> )(1 rqd)
C.	Volute Bolts (4 rqd)	0592 (C <sup>1</sup> )	0588 (C <sup>1</sup> )	1136 (C <sup>2</sup> )
D.	Washers (4 rqd)	N/A	N/A	1137
E.	Volute Bolt Nuts (4 rqd)	N/A	N/A	1138
F.	Impeller CPVC for all HP75's		<u>All Models</u>	
	Size: 6.00"		0918-6.00	
	5.75"		0918-5.75	
	5.50"		0918-5.50	
	5.25"		0918-5.25	
	5.00"		0918-5.00	
	4.50"		0918-4.50	
	4.00"		0918-4.00	
	Seal with Seat:			
G1.	T.6 Buna (std)		0118	
G2.	Diplo T.36 Viton (opt)		0914HP	
H.	End Bell Gasket, EPR (std)		0232	
	End Bell Gasket, Viton (opt)		1149	
J.	Bracket		0228	
K.	Slinger		0515	
L.	Base		0199	
M.	Motor Bolts: 2 each and		0583	
	2 each		0588	
N1.	Motor - Specify P/N			
N2.	Power Frame		0479	

<b>HP Repair Parts Kits</b>			
<u>P/N</u>	<u>Includes</u>	<u>P/N</u>	<u>Includes</u>
0661-8	4.00" Imp., EPR Gasket, and Slinger	0661-2	5.50" Imp., EPR Gasket, and Slinger
0661-5	4.50" Imp., EPR Gasket, and Slinger	0661-1	5.75" Imp., EPR Gasket, and Slinger
0661-4	5.00" Imp., EPR Gasket, and Slinger	0661	6.00" Imp., EPR Gasket, and Slinger
0661-3	5.25" Imp., EPR Gasket, and Slinger		

**Note: Seal/Seat must be ordered in addition to repair kit.**  
 5/8" T.6 Buna seal std., 5/8" T.21 and T.36 seals (opt)

**Price® Pump Company**