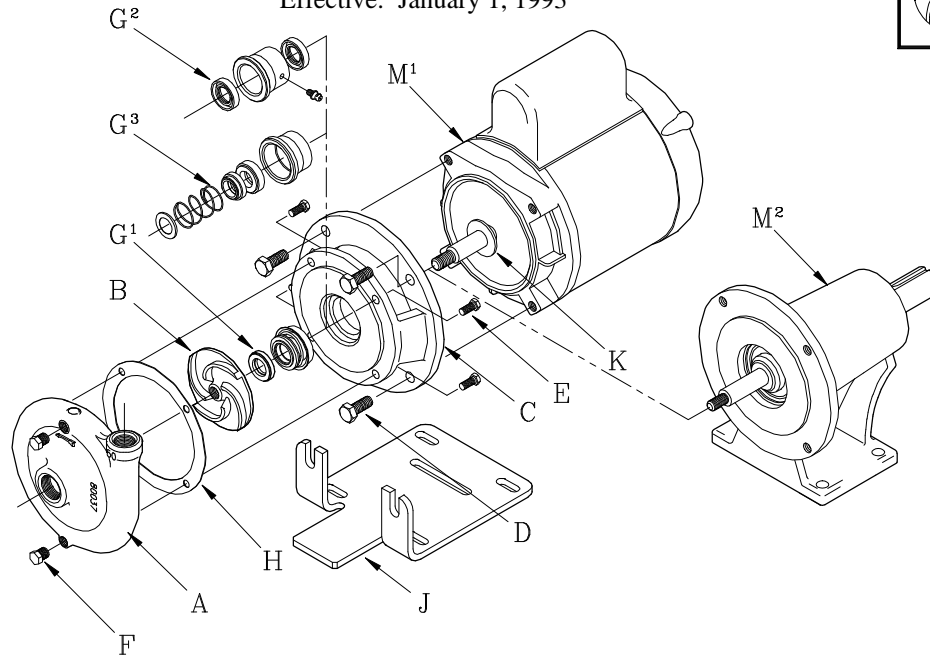




PRICE PUMP CO.

F - PARTS LIST

Effective: January 1, 1993



A.	Volute	<u>CI</u>	<u>CI or BR</u>	<u>BR</u>
	F50	0189		0203
	F75	0190		0204
	F95	0191		0205
B.	Impeller Specify diameter			
	F50	0195-dia		0196-dia
	F75	0195-dia		0196-dia
	F95	0195-dia		0196-dia
C.	Bracket	0284		0285
D.	Motor Bolts; 2 each	0583		0587
	and 2 each	0588		0592
E.	Volute Bolts	0573		0581
F.	1/8" Pipe Plugs	0557		0558
	Seal with Seat:			
G1.	T.6A Buna (std)		0538	
	T.6A Fluorocarbon		0539	
	T.6A Neoprene		0540	
	T.6A Neoprene /NiResist		0675	
G2.	Lip seal (opt)			
	Lip seal (2 rqd)		0751	
	Lip seal cage		0750	
	Zirk Grease Fitting		0839	
G3.	T.21 & T.9 Seal Case		0850	
	T.21 Fluorocarbon Single Seal (opt)		0553	
	T.9 Teflon Single Seal (opt)		1150	
H.	Gasket, Vegetable Fiber		0508	
J.	Base		0199	
K.	Slinger		0515	
M1.	Motor - Specify P/N			
M2.	Power Frame		0479	

F - Repair Parts Kit:

P/N 0656 Includes: Veg. Fiber Gasket & Slinger

Note: Seal/seat must be ordered in addition to seal kit.

5/8" T.6A seal std., 5/8" T.9 and T.21 seals optional

CI = Cast Iron
BR = Bronze

(F-Parts5.doc)

Price® Pump Company

21775 8th Street East ♦ P.O. Box Q ♦ Sonoma, CA 95476-0329 ♦ (707) 938-8441 ♦ Fax (707) 938-0764