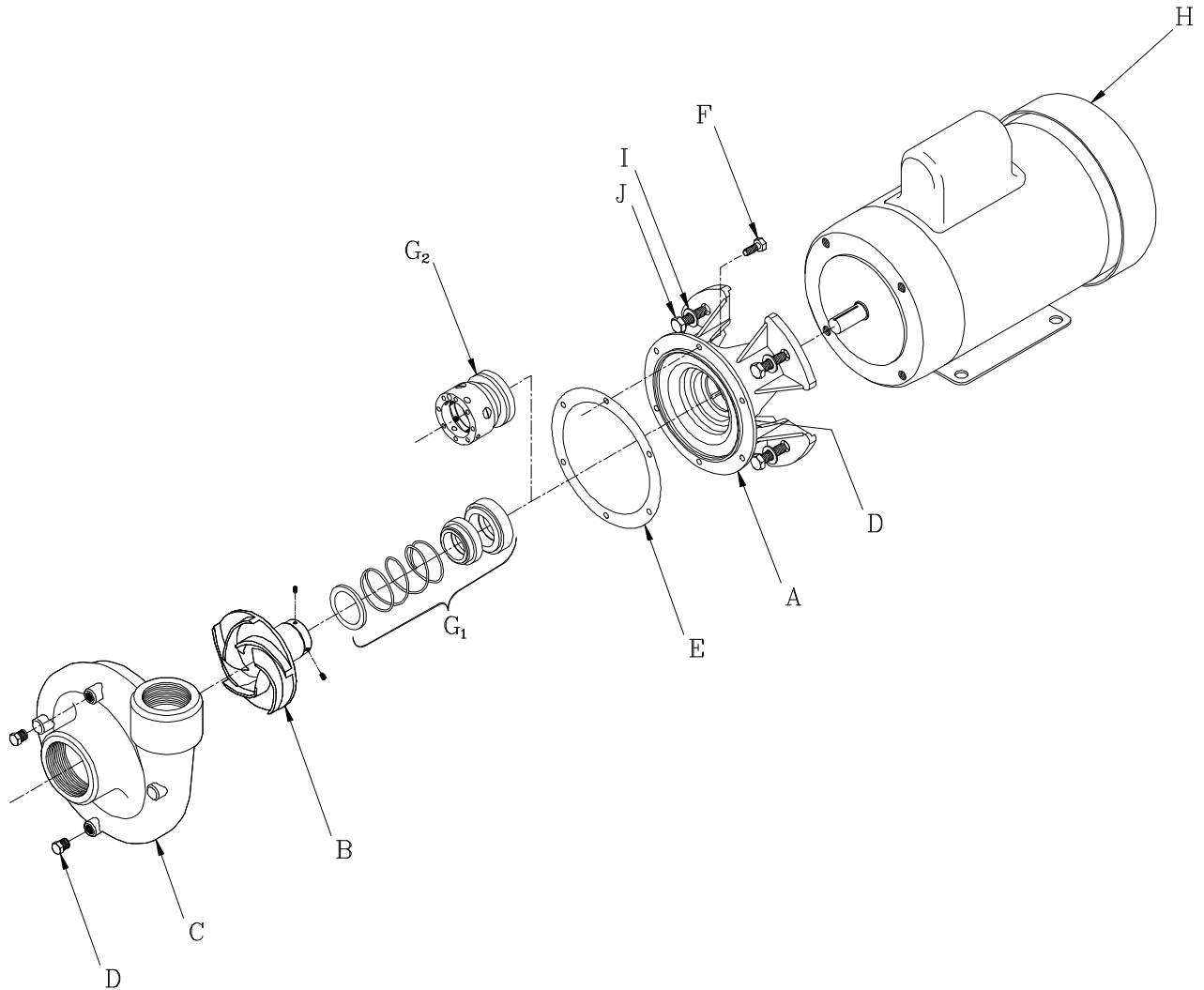


**PRICE® PUMP CO.**

CL150SS Parts List

Effective: November 8, 2001



| | | | | | |
|----|-----------------------|----------|------------------|-----------------------------|------|
| A. | Bracket | 3501 | F. | Volute bolt (6 req.) | 0917 |
| B. | Impeller w/ Setscrews | 3502-dia | G ₁ . | Seal/Seat T.21 Viton (std.) | 3516 |
| | Specify diameter | | G ₂ . | Seal/Seat T.9 Teflon | 3567 |
| C. | Volute | 3503 | H. | Motor – Specify P/N | |
| D. | Pipe Plug (3 req.) | 0559 | I. | Washer (4 req.) | 1199 |
| E. | Gasket | 3515 | J. | Motor bolt (4 req.) | 0575 |

Price® Pump Co.

21775 Eighth Street East * P.O. Box Q * Sonoma, CA 95476-0329 * (707) 938-8441 * Fax (707) 938-0764