

# EASYPUMP

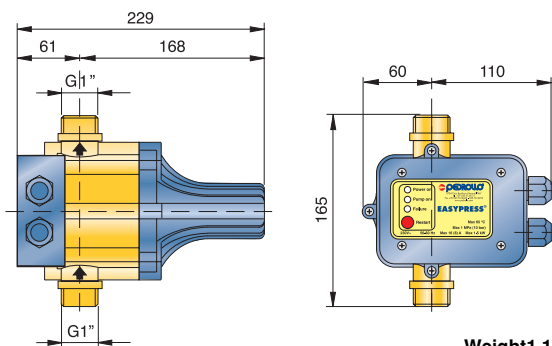
## Pumps with electronic controller

Domestic pumps with a pressure sensing electronic controller for automatic operation; the pump operates as required as a tap is opened or closed. The controller also provides protection for the pump against dry running.



TYPE	POWER	
	kW	HP
Single-phase		
PKm 60 - EP	0.37	0.50
PKm 65 - EP	0.50	0.70
PKm 70 - EP	0.60	0.85
PKm 80 - EP	0.75	1
PKm 100 - EP	1.1	1.5
PKSm 60 - EP	0.37	0.50
PKSm 65 - EP	0.50	0.70
PKSm 70 - EP	0.60	0.85
PKSm 80 - EP	0.75	1
CPm 150 - EP	0.75	1
CPm 158 - EP	0.75	1
CPm 170 - EP	1.1	1.5
CPm 170M - EP	1.1	1.5
2CPm 25/130N - EP	0.75	1
2CPm 25/140H - EP	1.1	1.5
2CPm 25/140M - EP	1.1	1.5
2CPm 80E - EP	0.37	0.50
3CPm 80E - EP	0.45	0.60
4CPm 80E - EP	0.60	0.85
3CPm 100E - EP	0.60	0.85
4CPm 100E - EP	0.75	1
JSWm 1C - EP	0.37	0.50
JSWm 1B - EP	0.50	0.70
JSWm 1A - EP	0.60	0.85
JSWm 10H - EP	0.75	1
JSWm 12H - EP	0.90	1.25
JSWm 15H - EP	1.1	1.5
JSWm 10M - EP	0.75	1
JSWm 12M - EP	0.90	1.25
JSWm 15M - EP	1.1	1.5
JSWm 3CH - EP	1.1	1.5
JSWm 3CM - EP	1.1	1.5
JSWm 3CL - EP	1.1	1.5
PLURIJETm 3/80 - EP	0.45	0.60
PLURIJETm 4/80 - EP	0.60	0.85
PLURIJETm 3/100 - EP	0.60	0.85
PLURIJETm 4/100 - EP	0.75	1

### DIMENSIONS mm



Weight 1.1 kg

### Typical installation

### COMPONENTS

- Single-phase electropump 230V - 50Hz
- EASYPRESS controller
- 1.5 metre cable with Schuko plug

\* For correct operation of the EASYPRESS device, the height of the column of water must not exceed 15 metres.

