



OBERDORFER

"N" SERIES CONVERSION INFORMATION

CLAMP MOUNT CLOSE COUPLED BRONZE GEAR PUMPS

Oberdorfer Pumps has been working on improving its Bronze Rotary Gear Pumps with several important features. Some of the changes have affected the overall physical dimensions of these pumps. The letter designation "N" indicates the new version (e.g., N999). **The chart on this page reflects the dimensional changes for our bronze close coupled clamp mount gear pumps.**

These dimensional changes are the result of a design upgrade package which includes replac-

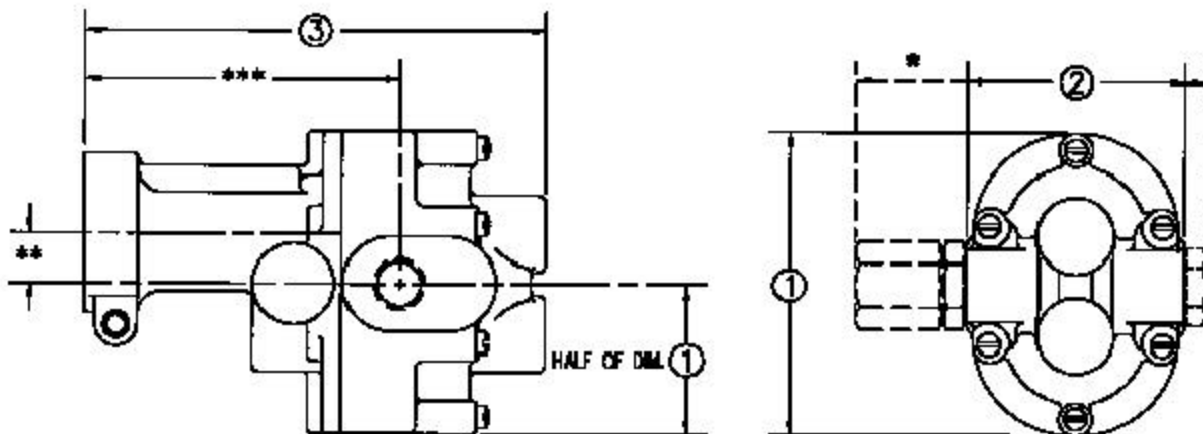
ing the flat paper gasket with a FKM (fluorocarbon rubber) o-ring. The body has been machined to provide a groove for the FKM o-ring. FKM has superior elasticity and will not readily take a compressive set (like Buna-N) thereby assuring a better seal. Also, the old spur gears have been replaced with new helical gears which significantly reduce noise.

These design changes will enhance the performance of our gear pumps and further strengthen the long recognized quality of Oberdorfer Pumps.

New Pump	Old Pump	Overall Height (1)	Width Across Ports (2)	OAW w/ Relief (2)*	Overall Length (3)
N999	999	From 2.87" to 3.25"	From 1.94" to 2.26"	From 3.7" to 4"	From 4.77" to 4.83"
N991	991		From 1.94" to 2.28"	From 3.7" to 4.03"	From 5.17" to 5.21"
N992	992	From 3.68" to 4.00"	From 2.38" to 2.70"	From 4.13" to 4.45"	Stays 5.21"
N993	993	From 3.68" to 3.96"	Stays 2.82"	Stays 4.57"	From 5.96" to 6.08"

** Port center line to shaft center line remains the same.

*** Port location to close coupled mounting remains the same.



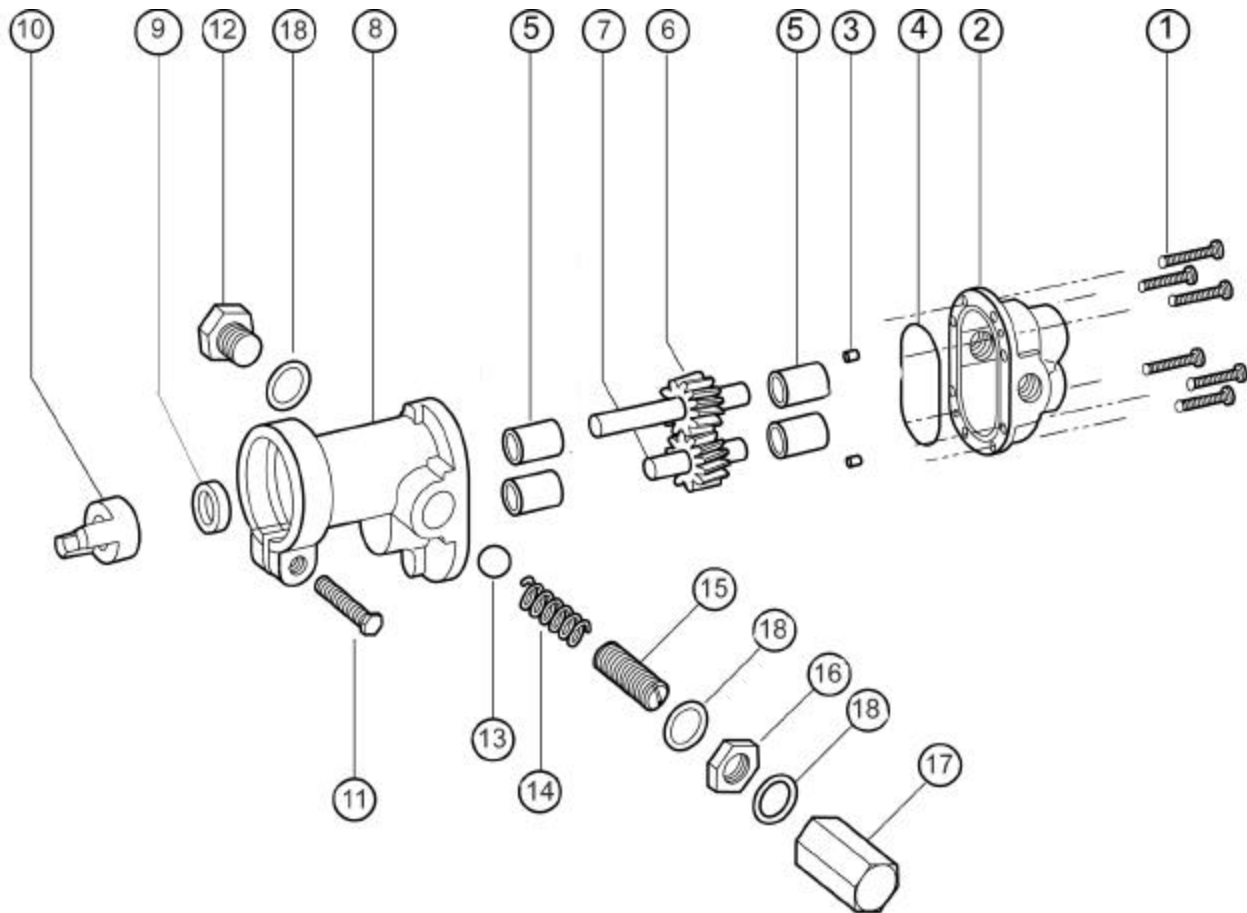
OBERDORFER

"N" SERIES

CONVERSION INFORMATION



CLAMP MOUNT CLOSE COUPLED BRONZE GEAR PUMPS



Models N999, N991, N992, N993

No.	Description	Qty.
1	Screw	varies
2	Body	1
3	Dowel Pin	2
4	O-Ring, FKM	1
5	Bearing, Carbon	4
6	Drive Gear Assembly	1
7	Idle Gear Assembly	1

No.	Description	Qty.
8	Cover	1
9	Lip Seal	1
10	Coupling Half	1
11	Screw	1
12	Plug Nut	1
13	Ball/Poppet	1
14	Spring	1

No.	Description	Qty.
15	Adjusting Screw	1
16	Lock Nut	1
17	Valve Nut	1
18	Fiber Washer	3

Notes: Numbers 12 thru 18 Relief Models only.