



OBERDORFER

"N" SERIES CONVERSION INFORMATION

CARBONATOR STYLE MOUNT CLOSE COUPLED BRONZE GEAR PUMPS - N61 SERIES

Oberdorfer Pumps has been working on improving its Bronze Rotary Gear Pumps with several important features. Some of the changes have affected the overall physical dimensions of these pumps. The letter designation "N" indicates the new version (e.g., N61K10G). **The chart on this page reflects the dimensional changes for our bronze gear pumps with carbonator style motor mount.**

These dimensional changes are the result of a design upgrade package which includes replacing the

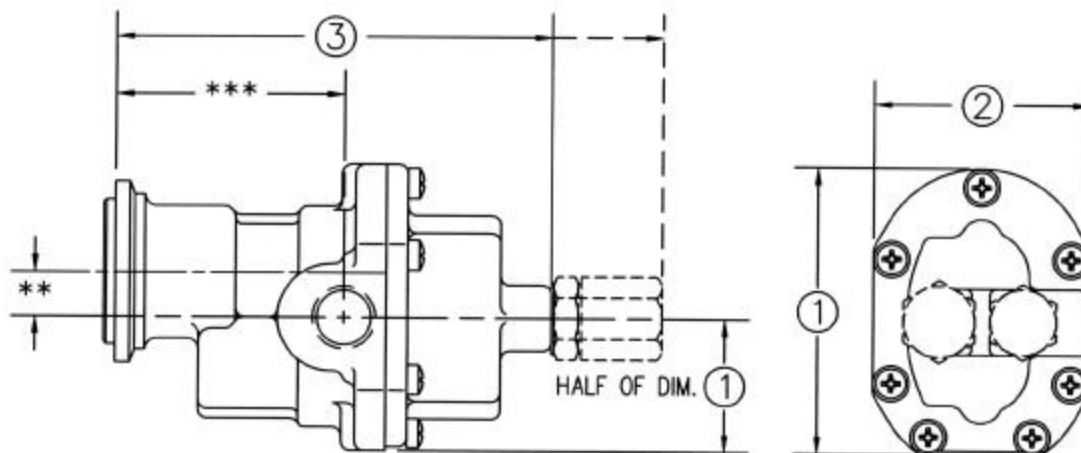
flat paper gasket with a FKM (fluorocarbon rubber) o-ring. The body has been machined to provide a groove for the FKM o-ring. FKM has superior elasticity and will not readily take a compressive set (like Buna-N) thereby assuring a better seal. Also, the old spur gears have been replaced with new helical gears which significantly reduce noise.

These design changes will enhance the performance of our gear pumps and further strengthen the long recognized quality of Oberdorfer Pumps.

| New Pump | Old Pump | Overall Height (1) | Width Across Ports (2) | Overall Length (3) | OAL w/ Relief (3) |
|----------|----------|-----------------------|------------------------|------------------------|------------------------|
| N61... | 61... | From 2.87" to 3.0" | From 1.94" to 2.25" | From 4.00" to 4.53" | From 5.63" to 5.60" |

** Port center line to shaft center line remains the same.

*** Port location to close coupled mounting remains the same.

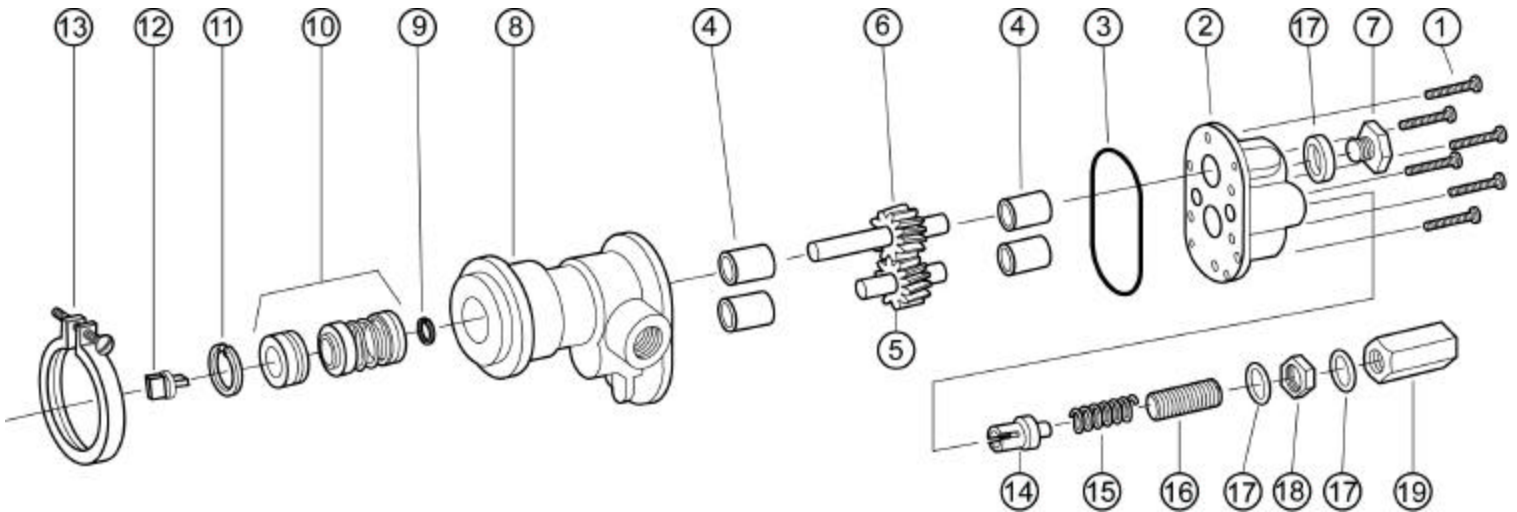


OBERDORFER



“N” SERIES CONVERSION INFORMATION

CARBONATOR STYLE MOUNT CLOSE COUPLED BRONZE GEAR PUMPS - N61 SERIES



Models N61060GHC, N61010GR-2, N61K10G

| No. | Description | Qty. |
|-----|-------------|------|
| 1 | Screw | 6 |
| 2 | Cover | 1 |
| 3 | O-Ring | 1 |
| 4 | Bearing | 2 |
| 5 | Idle Gear | 1 |
| 6 | Drive Gear | 1 |
| 7 | Plug Nut | 1 |

| No. | Description | Qty. |
|-----|-------------|------|
| 8 | Body | 1 |
| 9 | Snap Ring | 1 |
| 10 | Seal Assy. | 1 |
| 11 | Snap Ring | 1 |
| 12 | Coupler | 1 |
| 13 | Clamp | 1 |

| No. | Description | Qty. |
|-----|---------------|------|
| 14 | Poppet | 1 |
| 15 | Spring | 1 |
| 16 | Adjust. Screw | 1 |
| 17 | Washer | 3 |
| 18 | Lock Nut | 1 |
| 19 | Valve Nut | 1 |