



OBERDORFER®

An Ingersoll Rand Business

N991 Series Bronze Close Coupled External Rotary Gear Pumps

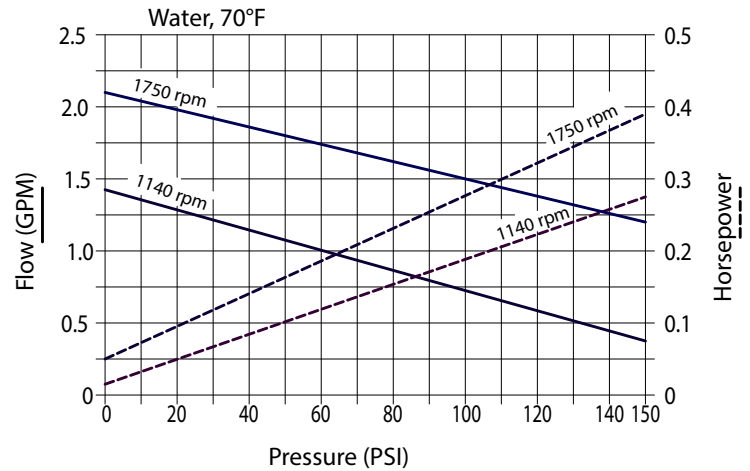


Features

- 1/4" NPT Ports
- Temp. Range: 32°F - 140°F
- Rugged corrosion resistant bronze construction
- Compact close-coupled design
- Stainless steel shafts
- Durable bronze spur gears
- Process lubricated carbon graphite bearings
- O-ring cover seal for maximum leak protection
- Lip seal or Mechanical Seal
- Easy field assembly to a variety of motor frames
- For DC motor pump units - see OBN991-32 DC
- For compact AC motor pump units - see Bronze Adapterless Rotary Gear Pumps
- For bronze pedestal pumps styles see model OBN1000

PUMP	DESCRIPTION
OBN991	Standard Pump w/ 1/4" ports
OBN991R	Pump w/ 1/4" ports & relief valve
OBN991S5	Pump w/ FKM lipseal
OBN991RS5	Pump w/ FKM lipseal & relief valve
OBN991S16	Pump w/ NBR mechanical seal
OBN991RS16	Pump w/ NBR mechanical seal & relief valve
OBN991S17	Pump w/ FKM mechanical seal
OBN991RS17	Pump w/ FKM mechanical seal & relief valve
OBN991S18	Pump w/ PTFE mechanical seal
OBN991RS18	Pump w/ PTFE mech. seal & relief valve
OBN991S8	Pump w/ EPDM mechanical seal
OBN991RS8	Pump w/ EPDM mech. seal & relief valve

Performance



General Description

Pump housings and gears are made of top quality bronze, shafts are 303 stainless steel. Bearings are designed of high performance carbon-graphite material selected for wear resistance and long service life. Gear pumps are positive displacement pumps. Each shaft revolution displaces a definite amount of liquid relatively unaffected by the back pressure in the discharge line. Shaft speed and flow are directly proportional. Recommended pressure limits are 100 PSI for water and non-lubricants, 150 PSI for oil and other lubricants. The maximum shaft speed is 1750 RPM.

Shaft Seals

Close coupled gear pumps are normally supplied with a NBR lip seal. For a FKM Seal, add S5 to the pump model number. For a NBR Mechanical seal add S16 and for a FKM Mechanical Seal add S17. For a PTFE mechanical seal add S18. For a EPDM mechanical seal add S8.

Liquids and Temperature

These pumps are suitable for all liquids that are compatible with bronze. Most common liquids are water, oil, and mild chemicals in the pH range of 4 to 11. Viscous liquids require reduced shaft speeds of 1150 RPM or lower. (Consult factory) Liquids containing solids, abrasives, powders, or paint pigments are definitely not recommended for gear pumps. If abrasives are unavoidable, use a very low shaft speed.

See pricebook for the recommended liquid temperature range of lip and mechanical seals. Freezing of water-filled pumps can cause damage and must be avoided. Oils at low temperatures are very viscous requiring a lower speed or extra power.



OBERDORFER®

An Ingersoll Rand Business

Suction Lift

As a general rule, the suction lift should be kept at an absolute minimum by placing the pump as close to the liquid source as possible. A gear pump in new condition can lift 20 feet of water in the suction line. A foot valve (preferably with built-in strainer) is recommended at the beginning of the suction line. For a first start-up, the pump should be primed to avoid dry running. Minimum size of the suction pipe is the size of the pump inlet port. For longer suction lines (over 3 feet) or for viscous liquids, the pipe should be at least one size or two sizes larger than the pump inlet port.

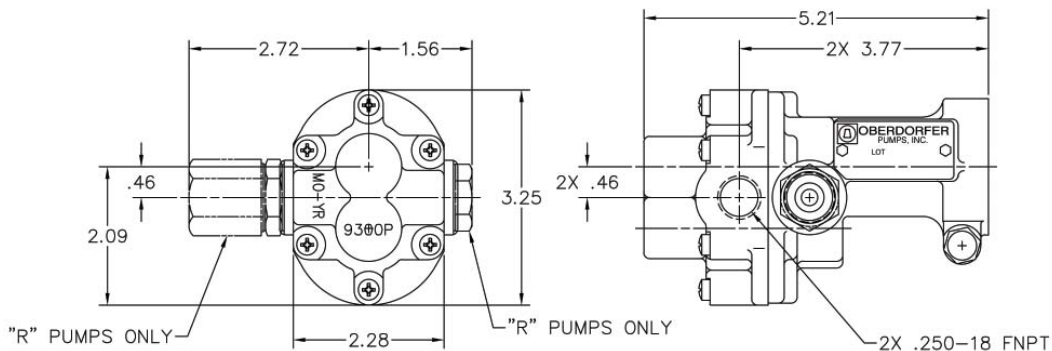
Rotation and Relief Valve

If the discharge line contains any throttling devices such as a shut-off valve, a spray nozzle or other restrictive device, it is necessary to have a relief valve in the system which returns the liquid to the suction side or to the tank. The relief valve is also available as part of the pump itself (R-model pumps). However, built-in relief valves are only good for intermittent service. If used continuously, the pump will overheat. A built-in relief valve is strictly a safety device against overpressure. It will not work successfully as a pressure or flow control device. For this purpose a separate relief valve in the pressure line must be used.

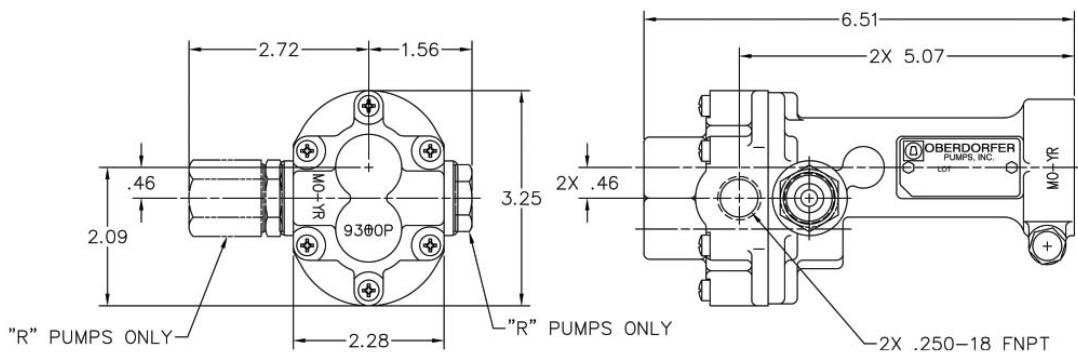
Unless otherwise specified, the pump motor unit is supplied by the factory for shaft rotation counterclockwise from shaft end. Reversing motor will reverse "in and "out" ports and also requires changing relief valve location. The relief valve is always on the inlet side of this pump series. The factory pressure setting is 50 PSIG. To increase pressure, turn the relief valve adjusting screw in a clockwise direction.

Dimensions

N991(R) & N991(R)S5



N991(R)S16 & N991(R)S17



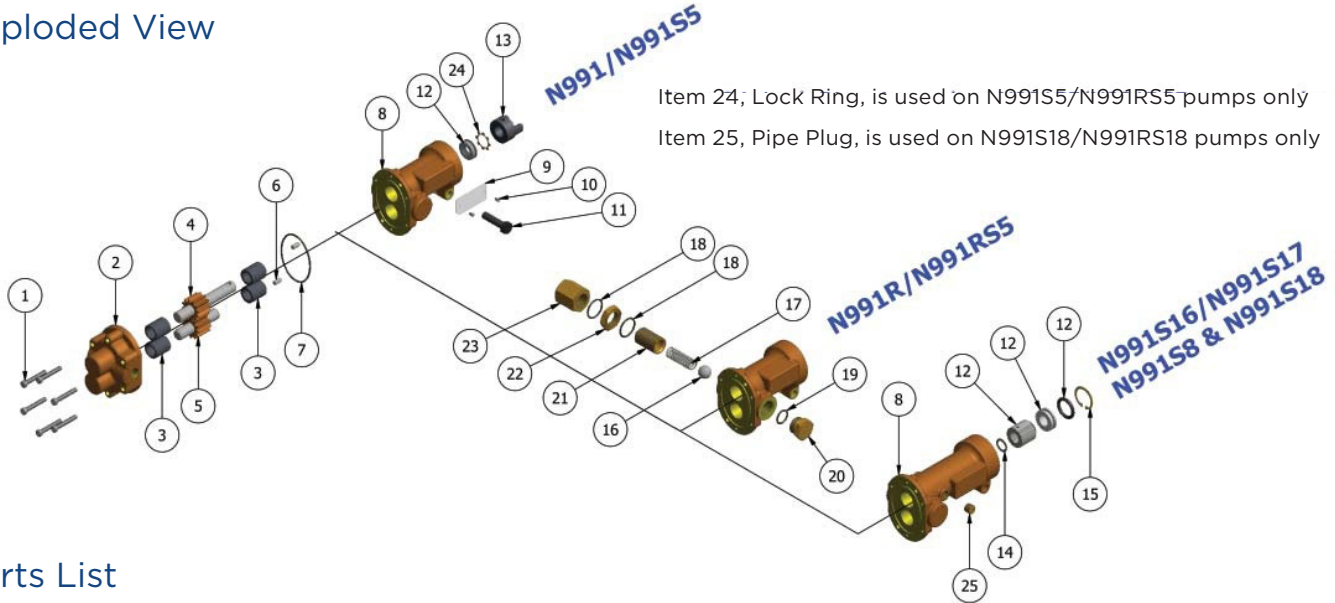
12500 South Pulaski Road
Alsip, IL 60803, USA
Phone (800) 448.1668



OBERDORFER[®]

An Ingersoll Rand Business

Exploded View



Item 24; Lock Ring, is used on N991S5/N991RS5 pumps only

Item 25; Pipe Plug, is used on N991S18/N991RS18 pumps only

Parts List

	1	2	3	4	5	6	7	8	9	10	11	12	13	14	
	Screw	Body	Bearing	Drive Gear Assy	Idle Gear Assy	Dowel Pin	O-Ring	Cover	Tag	Tag Screw	Screw	Lipseal	Mech. Seal	Coupling Half	Retaining Ring
Model	Qty. 6	Qty. 1	Qty. 4	Qty. 1	Qty. 1	Qty. 2	Qty. 1	Qty. 1	Qty. 1	Qty. 2	Qty. 1	Qty. 1	Qty. 1	Qty. 1	Qty. 1
OBN991	OB5013	OB9300NB5N	OB5024	OB32149	OB32110	OB8885	OB9797-033	OB9303NN2N	OB9344	OB9345	OB5595	OB5007	n/a	OB5604	n/a
OBN991R	OB5013	OB9300NB5N	OB5024	OB32149	OB32110	OB8885	OB9797-033	OB9303NN2B	OB9344	OB9345	OB5595	OB5007	n/a	OB5604	n/a
OBN991S5	OB5013	OB9300NB5N	OB5024	OB32149	OB32110	OB8885	OB9797-033	OB9303NN2N	OB9344	OB9345	OB5595	OB7580	n/a	OB5604	n/a
OBN991RS5	OB5013	OB9300NB5N	OB5024	OB32149	OB32110	OB8885	OB9797-033	OB9303NN2B	OB9344	OB9345	OB5595	OB7580	n/a	OB5604	n/a
OBN991S16	OB7733	OB9300NB5N	OB5024	OB33292	OB32110	OB8885	OB9797-033	OB9304PN4N	OB9344	OB9345	OB5595	n/a	OB32584	OB5604	OB5373
OBN991RS16	OB7733	OB9300NB5N	OB5024	OB33292	OB32110	OB8885	OB9797-033	OB9304PN4B	OB9344	OB9345	OB5595	n/a	OB32584	OB5604	OB5373
OBN991S17	OB7733	OB9300NB5N	OB5024	OB33292	OB32110	OB8885	OB9797-033	OB9304PN4N	OB9344	OB9345	OB5595	n/a	OB32585	OB5604	OB5373
OBN991RS17	OB7733	OB9300NB5N	OB5024	OB33292	OB32110	OB8885	OB9797-033	OB9304PN4B	OB9344	OB9345	OB5595	n/a	OB32585	OB5604	OB5373
OBN991S18	OB7733	OB9300NB5N	OB5024	OB33292	OB32110	OB8885	OB9355-033	OB9304PN6N	OB9344	OB9345	OB5595	n/a	OB32335	OB5604	OB5373
OBN991RS18	OB7733	OB9300NB5N	OB5024	OB33292	OB32110	OB8885	OB9355-033	OB9304PN6B	OB9344	OB9345	OB5595	n/a	OB32335	OB5604	OB5373
OBN991S18	OB7733	OB9300NB5N	OB5024	OB33292	OB32110	OB8885	OB9999-033	OB9304PN4N	OB9344	OB9345	OB5595	n/a	OB32754	OB5604	OB5373
OBN991RS18	OB7733	OB9300NB5N	OB5024	OB33292	OB32110	OB8885	OB9999-033	OB9304PN4B	OB9344	OB9345	OB5595	n/a	OB32754	OB5604	OB5373

	15	16	17	18	19	20	21	22	23	24	25	Repair Kits
	Retaining Ring	Ball	Spring	O-Ring	O-Ring	Nut Plug	Adjust. Screw	Lock Nut	Nut Bypass	Lock Ring	Pipe Plug	
Model	Qty. 1	Qty. 1	Qty. 1	Qty. 2	Qty. 1	Qty. 1	Qty. 1	Qty. 1	Qty. 1	Qty. 1	Qty. 1	
OBN991	n/a	n/a	n/a	n/a	n/a	n/a	n/a	n/a	n/a	n/a	n/a	OB10640
OBN991R	n/a	OB5803	OB1840	OB9797-019	OB9797-015	OB1838	OB5237	OB5240D	OB5239	n/a	n/a	OB10640
OBN991S5	n/a	n/a	n/a	n/a	n/a	n/a	n/a	n/a	n/a	OB7626	n/a	OB11318
OBN991RS5	n/a	OB5803	OB1840	OB9797-019	OB9797-015	OB1838	OB5237	OB5240D	OB5239	OB7626	n/a	OB11318
OBN991S16	OB7639	n/a	n/a	n/a	n/a	n/a	n/a	n/a	n/a	n/a	n/a	OB12394
OBN991RS16	OB7639	OB5803	OB1840	OB9797-019	OB9797-015	OB1838	OB5237	OB5240D	OB5239	n/a	n/a	OB12394
OBN991S17	OB7639	n/a	n/a	n/a	n/a	n/a	n/a	n/a	n/a	n/a	n/a	OB12395
OBN991RS17	OB7639	OB5803	OB1840	OB9797-019	OB9797-015	OB1838	OB5237	OB5240D	OB5239	n/a	n/a	OB12395
OBN991S18	OB7639	n/a	n/a	n/a	n/a	n/a	n/a	n/a	n/a	n/a	OB6052	TBD
OBN991RS18	OB7639	OB5803	OB1840	OB9797-019	OB9797-015	OB1838	OB5237	OB5240D	OB5239	n/a	OB6052	TBD
OBN991S18	OB7639	n/a	n/a	n/a	n/a	n/a	n/a	n/a	n/a	n/a	n/a	TBD
OBN991RS18	OB7639	OB5803	OB1840	OB9999-019	OB9999-015	OB1838	OB5237	OB5240D	OB5239	n/a	n/a	TBD

Repair Kits contain items 3, 4, 5, 7, 12, 14, 15 & 24.

Adapter Kits

Adapter Kits		
Adapter Kit	Part Number	Description
M	OB10562	48 Frame
N	OB10816	56 Frame
P	OB11722	S56 Frame
Q	OB11331	56C Frame (to 3/4 HP)
F	OB11332	IEC71
N/A	N/A	Adapterless - Modified 48



12500 South Pulaski Road
Alsip, IL 60803, USA
Phone (800) 448.1668