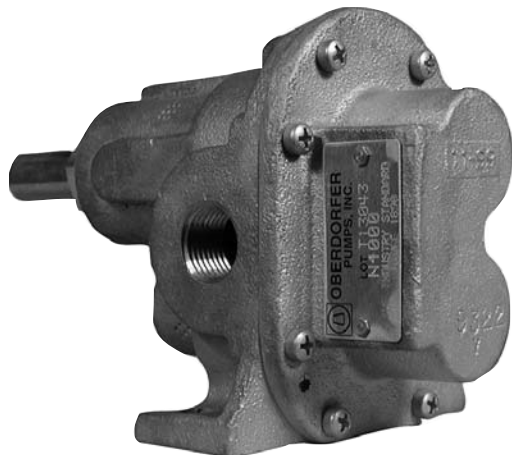


BRONZE PEDESTAL ROTARY GEAR PUMPS

**MODEL
N9000
SERIES**



MODEL N9000 - 1" NPT PORTS



MODEL N9000R



FEATURES

- Bronze Corrosion Resistant Castings
- Special Cast Bronze Gears
- Stainless Steel Shafts & Fasteners
- Formed Ring Seal Packing (Lip & Mechanical Seals on Special Order)
- Heavy Duty Carbon Bearings (Self Lubricating)
- Positive Displacement Flow

DRIVE

Either direct drive with flexible coupling or pulley drive can be used. Make sure both flexible coupling halves are properly aligned. When using a pulley, do not overtighten the belt. Also, to absorb belt side thrust at higher pressures and larger size pumps, an external ball bearing support is recommended -- consult factory.

LIQUIDS AND TEMPERATURE

Service life will be increased substantially if the liquid pumped is clean and has some degree of lubricity. These positive displacement pumps have tight tolerances. Fine abrasives like sand, silt, or powders in suspension will accelerate pump wear and reduce throughput.

Liquids compatible with bronze and stainless steel can be pumped providing proper seal has been specified (see chemical compatibility or check factory). When possible, flush the pump after each usage.

Temperature extremes are detrimental to service life and should be avoided. Basic metals of construction allow a temperature range of -40 to 400°F. Some lip and mechanical seal elastomers have a limit of 212°F. (see engineering data or check factory). Allowing a liquid to freeze in the pump can cause damage.

SUCTION LIFT

Close tolerances and the positive pumping action make the rotary gear pump capable of lifting water on the suction side as high as 20 feet. Though gear pumps are self priming, a foot valve is recommended. If possible, wet the gears with liquid to be pumped for the first dry start. Liquid retained in the system and gear chambers serves to "wet" the pump on subsequent starts.

CAPACITY - WATER 70° F

R.P.M.	FT.HD.	0	46	92	138	184	231	290	346
	P.S.I.	0	20	40	60	80	100	125*	150*
400	GPM	5.00	4.49	3.99	3.48	2.98	2.48	2.05	1.60
	HP	0.25	0.33	0.40	0.50	0.65	0.75	1.00	1.25
	MOTOR	1/4	1/3	1/2	1/3	3/4	3/4	1	1 1/2
600	GPM	7.50	7.08	6.65	6.23	5.80	5.38	4.90	4.05
	HP	0.35	0.40	0.55	0.75	0.90	1.10	1.32	1.60
	MOTOR	1/3	1/2	1/2	3/4	1	1	1 1/2	2
800	GPM	10.17	9.82	9.47	9.12	8.77	8.41	7.80	7.30
	HP	0.40	0.60	0.70	1.00	1.15	1.40	1.75	2.05
	MOTOR	1/2	3/4	3/4	1	1 1/2	1 1/2	2	2
1000	GPM	13.00	12.65	12.30	11.94	11.58	11.22	10.40	9.90
	HP	0.50	0.70	0.90	1.20	1.45	1.72	2.10	2.50
	MOTOR	1/2	3/4	1	1 1/2	1 1/2	2	2	3
1200	GPM	16.00	15.67	15.34	15.00	14.67	14.33	13.60	13.00
	HP	0.60	0.80	1.14	1.45	1.85	2.20	2.70	3.20
	MOTOR	3/4	3/4	1	1 1/2	2	3	3	5
1600	GPM	21.50	21.12	20.74	20.35	19.97	19.58	18.70	18.00
	HP	0.80	1.70	1.38	1.70	2.03	2.41	2.90	3.40
	MOTOR	1	1	2	2	2	3	3	5
1725	GPM	23.33	22.93	22.52	22.11	21.71	21.30	20.50	20.10
	HP	0.90	1.19	1.53	1.92	2.25	2.70	3.15	3.70
	MOTOR	1	1 1/2	1 1/2	2	3	3	3	5

H.P. = Actual Horsepower

G.P.M. = Gallons per Minute

R.P.M. = Revolutions per Min.

Motor = Convenient Fractional Size

P.S.I. = Lbs. Per Square Inch Pressure

Ft. Hd. = Equiv. Press. in Ft of Water

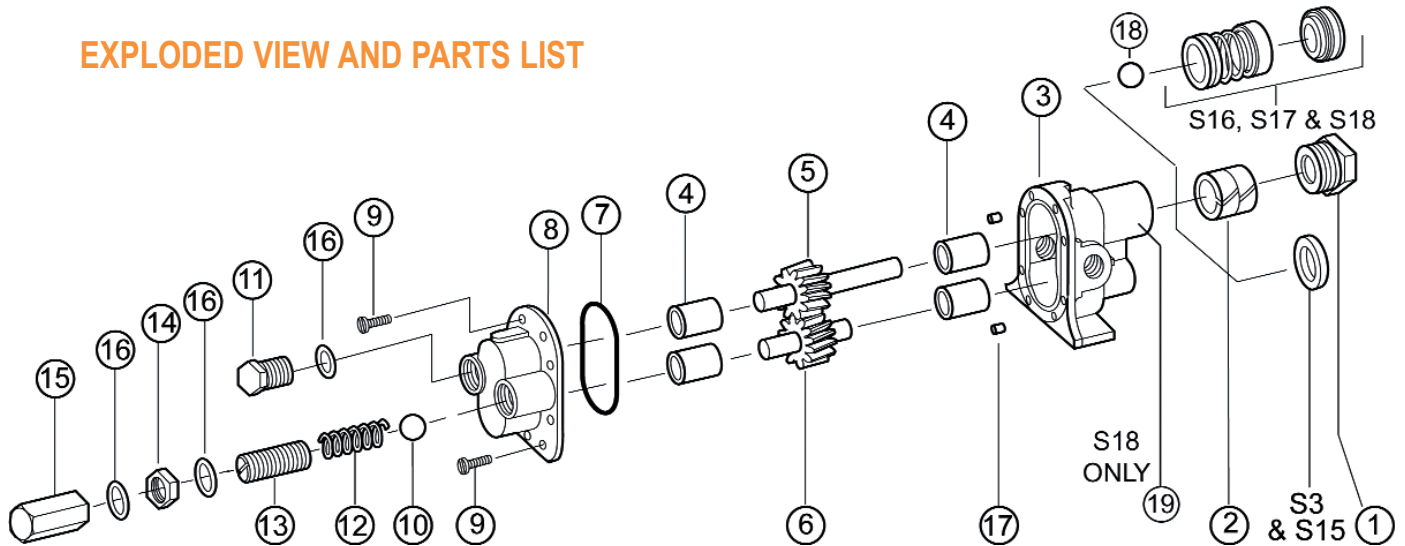
*For pressures over 100 psi, the above selections are suitable for pumping fluids with lubricity (e.g. oils, polymers). Service life will decrease for fluids without lubricity (e.g. water, solvents).

**MODEL
N9000
SERIES**

**BRONZE PEDESTAL
ROTARY GEAR PUMPS**



EXPLODED VIEW AND PARTS LIST



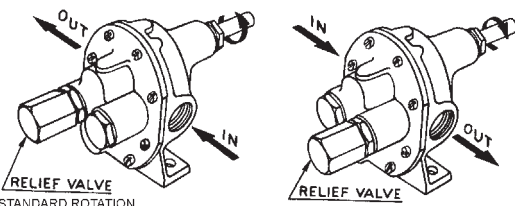
Pump No	Seal Arrangement	1	2	3	4	5	6	7	8	9	10	11	12	13	14	15	16	17	18	19	Repair Kit		
		Packnut or Retaining Ring	Packing	Seal	Body	Bearing	Drive Gear Assy	Idle Gear Assy	O-ring	Cover	Screw	Ball	Plug Nut	Spring	Adj. Screw	Locknut	Bypass Nut	Fiber Washer	Dowel Pin	Retaining Ring	Pipe Plug		
		1 req'd	2 req'd	1 req'd	1 req'd	4 req'd	1 req'd	1 req'd	1 req'd	1 req'd	8 req'd	1 req'd	1 req'd	1 req'd	1 req'd	1 req'd	1 req'd	3 req'd	2 req'd	1 req'd	1 req'd		
N9000	Packing	1762	5479	NA	9325NF1N	5091	33019	33020	9797-045	9326NN5N	5385								8885			10639	
N9000S3	Buna Lip	NA	NA	5463	9325NF2N	5091	33019	33020	9797-045	9326NN5N	5385								8885			10783	
N9000S15	Viton Lip	NA	NA	9997	9325NF2N	5091	33019	33020	9797-045	9326NN5N	5385								8885			12108	
N9000S16	Buna Bellows Mech.	5374	NA	32202	9375NF9N	5091	33042	33020	9797-045	9326NN5N	5385								8885	5382		12125	
N9000S17	Viton Bellows Mech.	5374	NA	32235	9375NF9N	5091	33042	33020	9797-045	9326NN5N	5385								8885	5382		12126	
N9000S18	Teflon Wedge Mech.	5374	NA	32923	9375NF6N	5091	33042	33020	9355-045	9326NN5N	5385								8885	5382	6052	12127	
Relief Valve Versions: N9000R, N9000RS3, N9000RS15, N9000RS16, N9000RS17, N9000RS18																							
All Repair Kits contain items 2, 4, 5, 6 and 7.																							

BY-PASS AND ROTATION

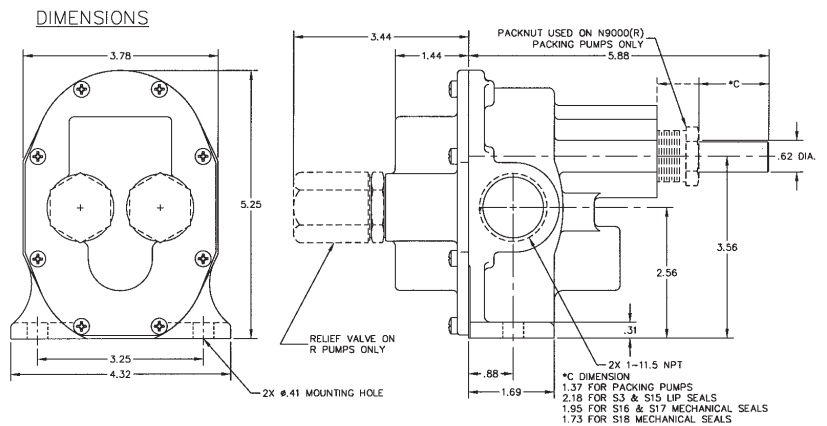
The pump by-pass is not intended to be a metering or flow control device. Its main purpose is to function as a pressure relief when the desired set point is exceeded, overheating can occur within 5 - 10 minutes if the discharge line is completely shut off for extended periods.

Reversing rotation reverses the "IN" and "OUT" ports and the location of the by-pass ports have to be reversed.

The by-pass valve is factory set at 50 p.s.i. To increase the setpoint, turn the by-pass valve adjusting screw in a clockwise direction.



DIMENSIONS



* Viton(R) or equivalent FKM will be used. Viton(R) is a registered trademark of DuPont Dow Elastomers.
Teflon(R) or equivalent PTFE will be used. Teflon(R) is a registered trademark of DuPont.
Specifications are subject to change without notice.