

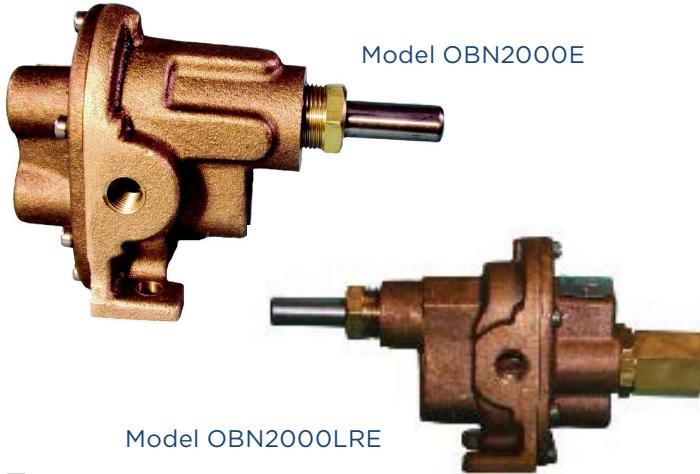


OBERDORFER®

An Ingersoll Rand Business

N2000LE / N2000LRE Series

Bronze Pedestal Rotary Gear Pumps



Features

- 1/4" BSPT Ports
- Temp. Range: -40°C - 200°C
- Bronze corrosion resistant castings
- Special cast bronze helical gears for quiet operations
- Stainless steel shafts & fasteners
- Synthetic braided compression packing (with PTFE dispersion) is standard
- NBR & FKM lip seals available
- Positive displacement flow
- Bronze bearing surfaces with grease fittings

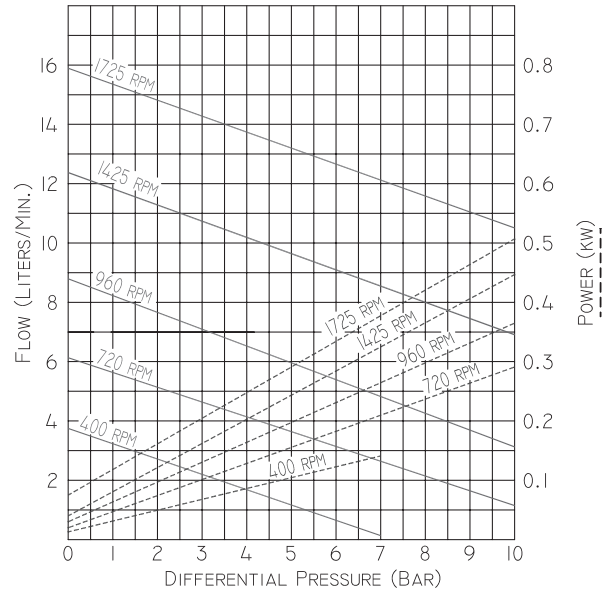
Liquids and Temperature

Service life will be increased substantially if the liquid pumped is clean and has some degree of lubricity. These positive displacement pumps have tight tolerances. Fine abrasives like sand, silt, or powders in suspension will accelerate pump wear and reduce throughput.

Liquids compatible with bronze and stainless steel can be pumped providing proper seal has been specified (see chemical compatibility or check factory). When possible, flush the pump after each usage.

Performance

VALUES @ ICP, 20°C



* For pressures over 7 bar, the above selections are suitable for pumping fl uids with lubricity (eq. oils, polymers). Service life will decrease for fl uids without lubricity (eq. water, solvents).

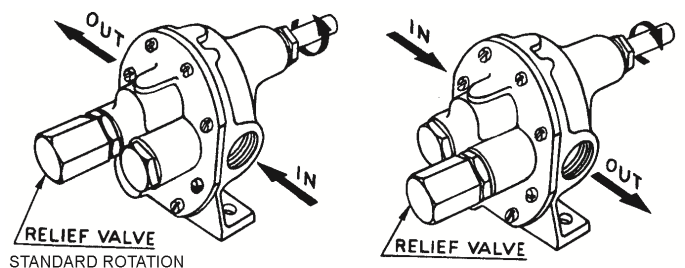
Temperature extremes are detrimental to service life and should be avoided. Basic metals of construction allow a temperature range of -40 to 200°C. Some lip and mechanical seal elastomers have a limit of 100°C. (see engineering data or check factory). Allowing a liquid to freeze in the pump can cause damage.

By-Pass and Rotation

The pump by-pass is not intended to be a metering or flow control device. Its main purpose is to function as a pressure relief when the desired set point is exceeded, overheating can occur within 5 - 10 minutes if the discharge line is completely shut off for extended periods.

Reversing rotation reverses the “IN” and “OUT” ports and the location of the by-pass ports have to be reversed.

The by-pass valve is factory set at 3.5 bar. To increase the setpoint, turn the by-pass valve adjusting screw in a clockwise direction.





Suction Lift

Close tolerances and the positive pumping action make the rotary gear pump capable of lifting water on the suction side as high as 6 meters. Though gear pumps are self priming, a foot valve is recommended.

If possible, wet the gears with liquid to be pumped for the first dry start.

Liquid retained in the system and gear chambers serves to “wet” the pump on subsequent starts.

Mounting and Drive Arrangement

Pumps should be mounted on a rigid base and properly aligned with the motor. Direct drive via flexible shaft coupling is the preferred method. When a belt drive is needed, additional support is necessary to absorb the added pulley load. This can be accomplished in two ways:

1. Use the standard pump arrangement by adding an independently supported jackshaft (see figure 2 below) or use kit 2P.
2. When space is an issue, use an optional “long shafted” pump and add a properly shimmed pillow block bearing (see figure 1).

Figure 1:

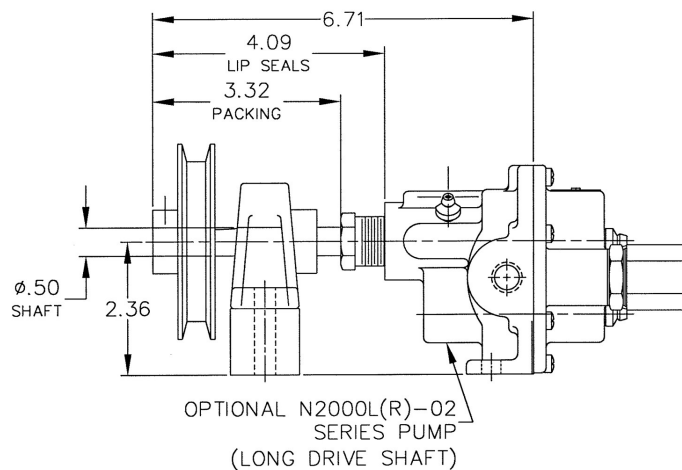


FIGURE 1

Figure 2:

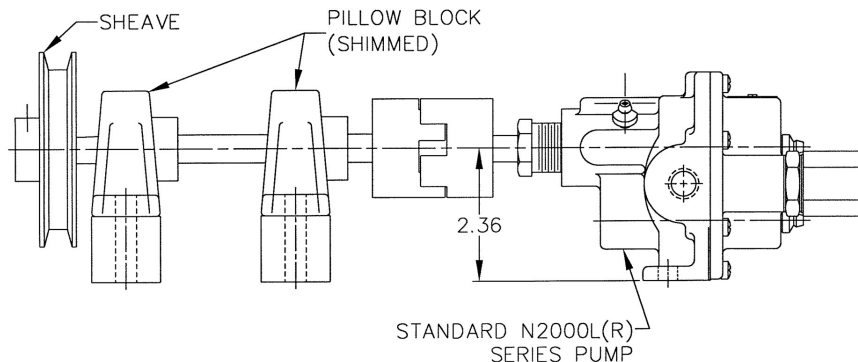


FIGURE 2

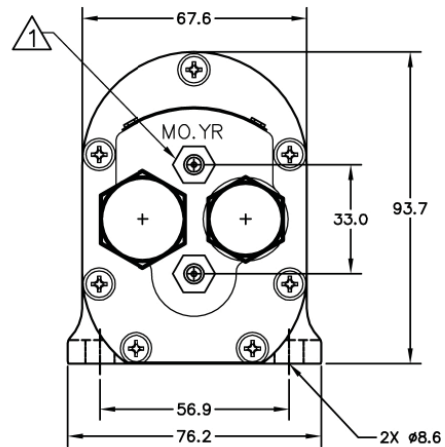
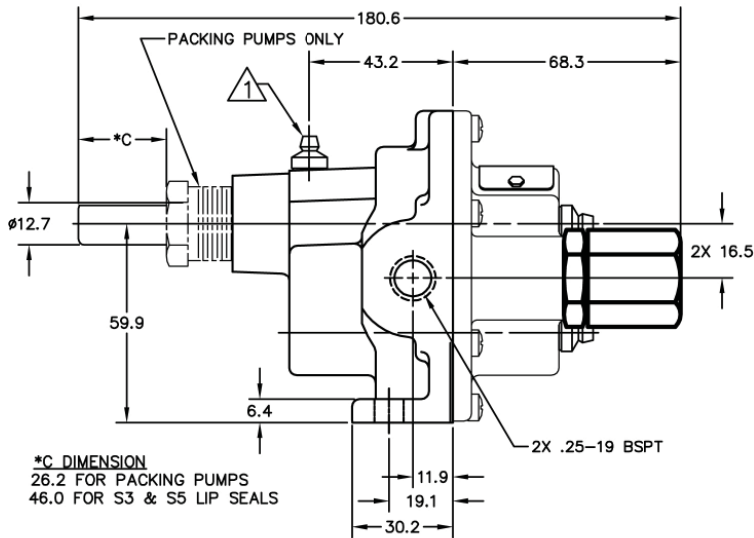


OBERDORFER®

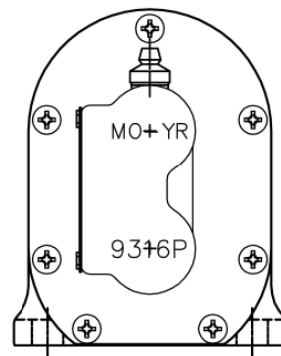
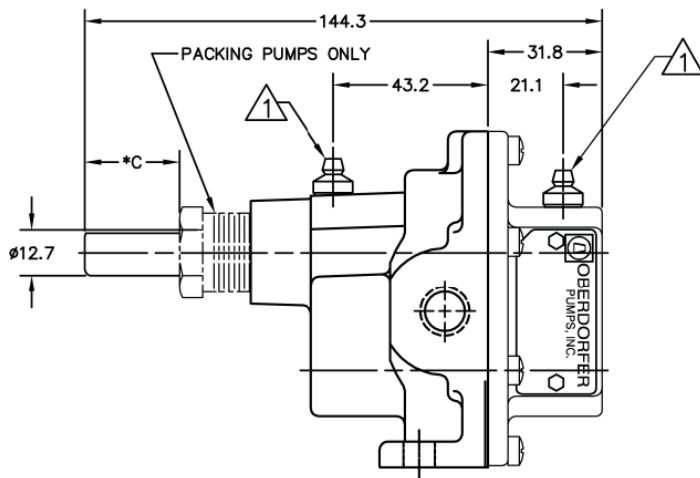
An Ingersoll Rand Business

Dimensions

N2000LRE Series



N2000LE Series



12500 South Pulaski Road
Alsip, IL 60803, USA
Phone (800) 448.1668



OBERDORFER[®]

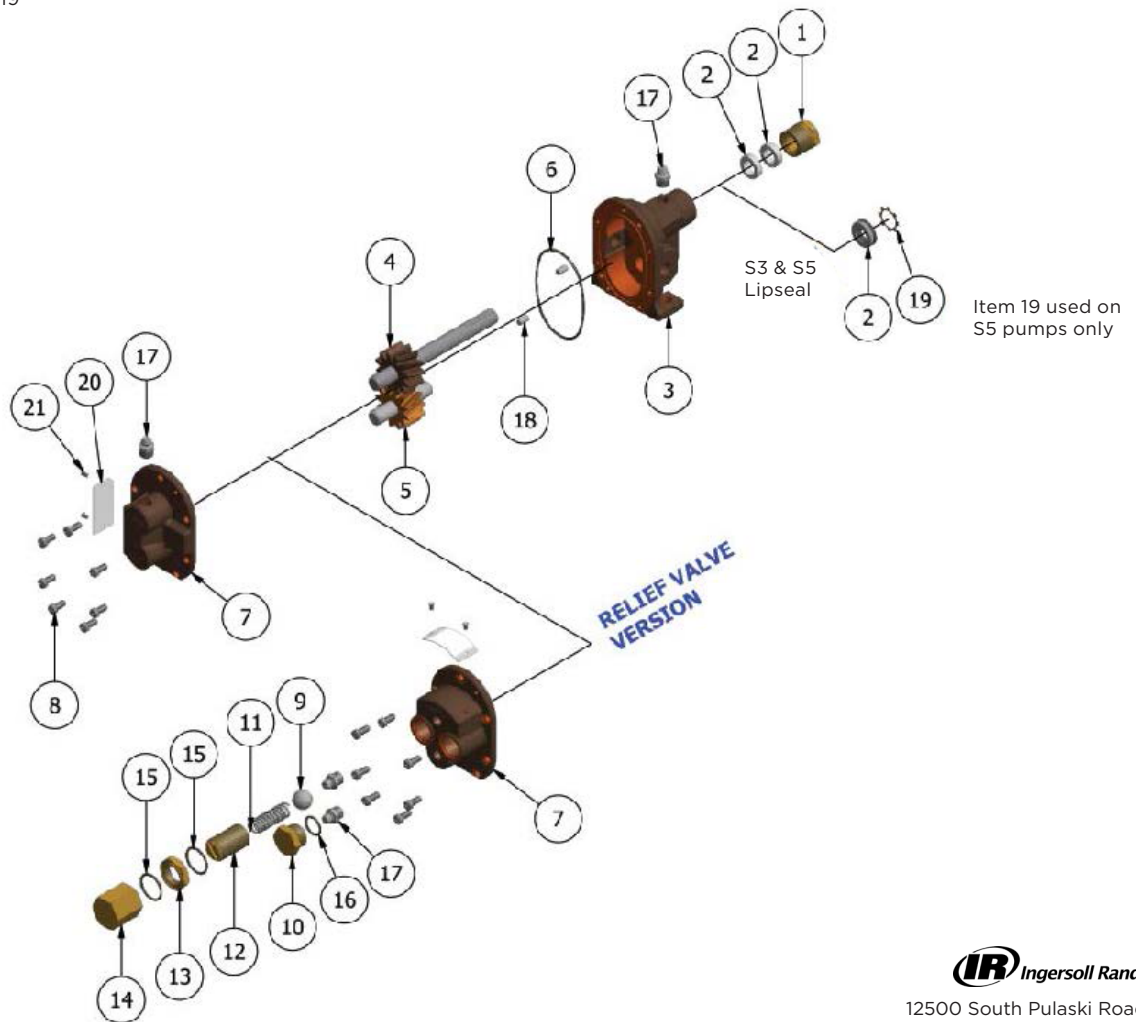
An Ingersoll Rand Business

Parts List

Model	Seal Arrangement	1	2		3	4	5	6	7	8	9	10	11
		Packnut or Retaining Ring	Packing	Seal	Body	Drive Gear Ass'y	Idle Gear Ass'y	O-Ring	Cover	Screw	Ball	Plug Nut	Spring
		Qty. 1	Qty. 2	Qty. 1	Qty. 1	Qty. 1	Qty. 1	Qty. 1	Qty. 1	Qty. 8	Qty. 1	Qty. 1	Qty. 1
OBN2000LE	Packing	OB1892	OB5481	NA	OB9315PB1N-1	OB32992	OB32993	OB9797-038	OB9316PN5N-1	OB5385	NA	NA	NA
OBN2000LES3	NBR Lip	NA	NA	OB5007	OB9315PB2N-1	OB32992	OB32993	OB9797-038	OB9316PN5N-1	OB5385	NA	NA	NA
OBN2000LES5	FKM Lip	NA	NA	OB7580	OB9315PB2N-1	OB32992	OB32993	OB9797-038	OB9316PN5N-1	OB5385	NA	NA	NA
Relief Valve Versions: OBN2000LRE, OBN2000LRES3, OBN2000LRES5									OB9317PN5B-1		OB5238	OB1838	OB1840

Model	12	13	14	15	16	17	18	19	20	21	Repair Kit
	Adj. Screw	Locknut	Bypass Nut	O-Ring Locknut	O-Ring Plug Nut	Grease Fitting	Dowel Pin	Lock Ring	Tag	Tag Screw	
	Qty. 1	Qty. 1	Qty. 1	Qty. 2	Qty. 1	Qty. 2	Qty. 2	Qty. 1	Qty. 2	Qty. 1	
OBN2000LE	NA	NA	NA	NA	NA	OB5390	OB8885	NA	OB9344	OB9345	OB12291
OBN2000LES3	NA	NA	NA	NA	NA	OB5390	OB8885	NA	OB9344	OB9345	OB11379
OBN2000LES5	NA	NA	NA	NA	NA	OB5390	OB8885	OB7626	OB9344	OB9345	TBD
Relief Valve Versions	OB5237	OB5240D	OB5239	OB9797-019	OB9797-015	OB5390 (3 Req'd)					

* Repair kit contains 2, 4, 5, 6, 19



12500 South Pulaski Road
Alsip, IL 60803, USA
Phone (800) 448.1668