

BRONZE PEDESTAL ROTARY GEAR PUMPS



OBERDORFER PUMPS

A Subsidiary of Thomas Industries Inc.

MODELS

N11500

N11510

1 1/4" NPT PORTS



PACKING STYLES
MODEL N11500-21- UPPER DRIVE
MODEL N11510-21 - LOWER DRIVE



LIP SEAL STYLES
MODEL N11500-S5- UPPER DRIVE
MODEL N11510-S5 - LOWER DRIVE

FEATURES

- Bronze Corrosion Resistant Castings
- Stainless Steel Shafts & Fasteners
- Self-Lubricating Carbon Bearings
- Acrylic Graphite Packing or Viton®-Teflon® Lip
- For Mechanical Seals, see Models N11HDM
- For Heavy Pulley loads, see Model N11HDP

DRIVE

Either direct drive with flexible coupling or pulley drive can be used. For pulley driven pumps a pillow block bearing must be used at the drive shaft end to absorb the belt forces. The drive shaft is sufficiently long enough to accommodate a pillow block in addition to the pulley.

Correct alignment is absolutely essential for satisfactory pump life. Recheck alignment after the piping has been connected to the pump.

LIQUIDS AND TEMPERATURE

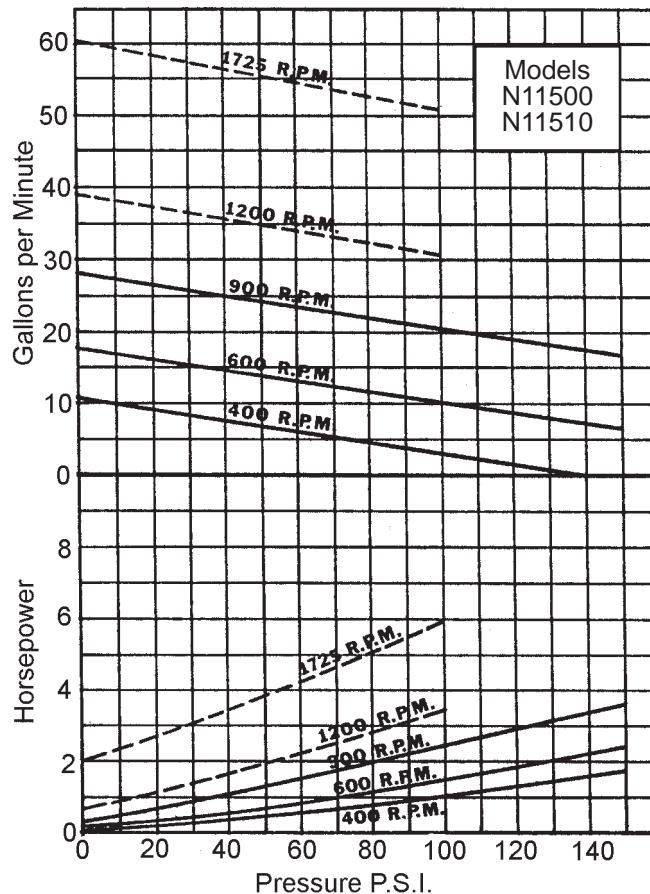
Service life will be increased substantially if the liquid pumped is clean and has a lubricity value. These pumps have extremely close tolerances. Fine abrasives like sand, silt, or powders in suspension will destroy pumping ability.

Liquids compatible with bronze, stainless steel and the acrylic graphite packing can be pumped. Solvent resistant packings and Teflon® packings are also available. See a chemical compatibility table or check factory. When possible, flush the pump with water after using.

Temperature extremes are detrimental to service life and should be avoided. Basic metals of construction allow temperature range of -40°F to 400°F. the acrylic graphite packing is rated to 500°F. Freezing liquid in the pump can deform or damage the pump.

Viscous liquids such as molasses or oils require a lower pumping speed, in extreme cases as low as 200 R.P.M. Consult factory

CAPACITY Water 60°F



Note: Dotted lines(---) recommended for intermittent duty only due to accelerated wear at higher speeds and pressures.

for recommended speeds and increased horsepower requirements. Large suction lines are required to prevent cavitation which can cause pump destruction.

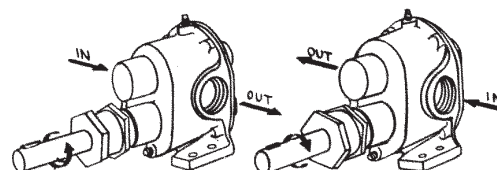
Liquids with specific gravities heavier than water such as dry cleaning fluids require an increase in motor horsepower directly proportional to the increase in specific gravity over water.

SUCTION LIFT

A rotary gear pump is capable of lifting water on the suction side as high as 20 feet. Though gear pumps are self-priming, a foot valve is recommended. For pumping water directly from streams or ponds, a wire mesh strainer must be used at the beginning of the suction line to prevent stones from entering the pump. Strainer and foot valve are commercially available

ROTATION

**N11510-21
(shown)**



MODELS

N11500

N11510

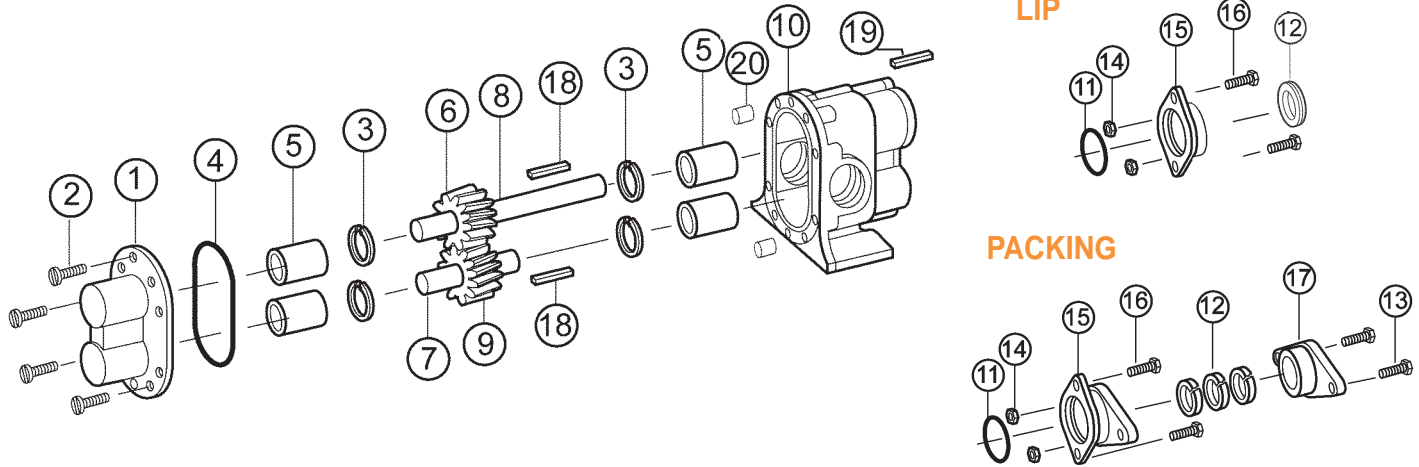
BRONZE PEDESTAL ROTARY GEAR PUMPS



OBERDORFER PUMPS

A Subsidiary of Thomas Industries Inc.

EXPLODED VIEW AND PARTS LIST

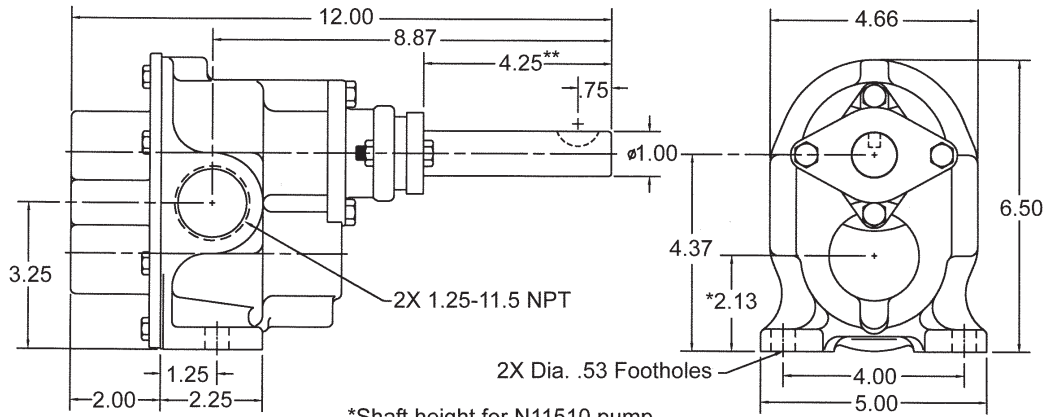


Pump No.	Configuration	1	2	3*	4*	5*	6*	7*	8*	9*	10	11
		Cover	Screw	Ret. Ring	O-Ring	Bearing	Drive Gear	Idle Shaft	Drive Shaft	Idle Gear	Body	O-Ring
		1 Req'd	8 Req'd	4 Req'd	1 Req'd	4 Req'd	1 Req'd	1 Req'd	1 Req'd	1 Req'd	1 Req'd	1 Req'd
N11500-21	Packing/Upper	9333NN5N	5393	7651	9797-158	5108	9833	7652	5685	9834	9331NG7N	6515
N11510-21	Packing/Lower	9333NN5N	5393	7651	9797-158	5108	9833	7652	5685	9834	9331NG8N	6515
N11500S5	Lip/Upper	9333NN5N	5393	7651	9797-158	5108	9833	7652	5685	9834	9331NG7N	9797-224
N11510S5	Lip/Lower	9333NN5N	5393	7651	9797-158	5108	9833	7652	5685	9834	9331NG8N	9797-224

Pump No.	Configuration	12*	13	14	15	16	17	18*	19	20	Repair
		Packing or Lip Seal	Screw	Nut	Gland/Seal Hsg	Screw	Seal Adapter	Key	Key	Dowel Pin	Kit *
		3 or 1 Req'd	2 Req'd	2 Req'd	1 Req'd	2 Req'd	1 Req'd	2 Req'd	1 Req'd	2 Req'd	
N11500-21	Packing/Upper	7624	5916	8395	7451	9905	9904	6518	5576	8597	10642
N11510-21	Packing/Lower	7624	5916	8395	7451	9905	9904	6518	5576	8597	10642
N11500S5	Lip/Upper	7262	5916	---	9853	---	---	6518	5576	8597	11048
N11510S5	Lip/Lower	7262	5916	---	9853	---	---	6518	5576	8597	11048

* Complete Repair kit includes these items (and body gasket for older models)
For shaft and gear subassemblies only - refer to kit 12015

DIMENSIONS (N11500-21 SHOWN)



*Shaft height for N11510 pump
** 4.57 for N11500S5