

BRONZE CLOSE COUPLED ROTARY GEAR PUMPS



OBERDORFER PUMPS
A Subsidiary of Thomas Industries Inc.

**MODEL
C9941B2
C994R1B2**

MODEL C9941B2 - 3/4"



PERFORMANCE

Water 70° F

		1725			Pump & Motor No.	
PSI	GPM	HP Req'd	HP Motor	Motor Frame	Single Phase	Three Phase
0	10.5	0.5	1/2	56C	C9941B2H-J45	C9941B2H-J95
10	10.4	0.63	3/4	56C	C9941B2H-M37	C9941B2H-M95
20	10.3	0.75				
30	10.2	0.83	1	56C	C9941B2H-N26	C9941B2H-N95
40	10.1	0.90				
50	10.0	1.00				

		1150			Pump & Motor No.	
PSI	GPM	HP Req'd	HP Motor	Motor Frame	Single Phase	Three Phase
0	6.8	0.24	1/2	56C	C9941B2H-J46	C9941B2H-J96
10	6.7	0.27				
20	6.6	0.29				
30	6.5	0.36				
40	6.4	0.43				
50	6.3	0.50				

FEATURES

- Iron construction with steel shafts
- Stainless helical gears for quiet operation
- Two lip seals for added leak protection
- Self lubricating carbon bearings
- O-ring seal for maximum leak protection
- Durable temperature-resistant paint finish
- Easy field assembly to C-face motors
- Compact dimensions

GENERAL DESCRIPTION

Tailored specifically for wear resistance and long life in waste cooking oil transfer/reclamation service. Designed to handle oil at elevated temperatures to 400 F, at pressures up to 50 psi, and at shaft speeds to 1750 RPM while tolerating warm water flush cycles. Shafts are hardened steel. Gears are 416 stainless steel. Rugged ductile iron housings incorporate body/gear lubrication grooves. High grade carbon-graphite bearings are used. The compact dimensions allow drop-in replacement for HYPRO-NG11 pumps.

DRIVE ARRANGEMENT

These close-coupled pumps mount directly to a full range of NEMA and IEC C-face motors by means of a suitable adapter bracket. The pump drive shaft is connected to the motor shaft by flexible coupling. Complete pump and motor units are available.

SEAL

Superior to mechanical seal designs that cannot tolerate occasional particles. Two independently mounted fluorocarbon lip seals are separated by an intermediate chamber. The chamber is filled with food grade grease to lubricate the outboard seal. Pumps are conveniently supplied with a manual grease cup to allow the addition of lubricant to the chamber during operation.

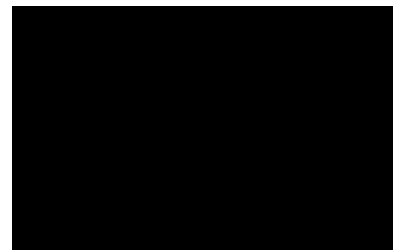
SUCTION LIFT

A positive displacement external gear pump which will generate 23" HG lift, a feature found to be essential for years of successful cycling. As a general rule, place the pump as close to the liquid source as possible. For a first start-up, the pump should be primed to avoid dry running. Minimum size of the suction pipe is the size of the pump inlet port. For longer suction lines (over 3 feet), the pipe size should be at least one size or two sizes larger than the pump inlet port.

ROTATION AND RELIEF VALVE

Given the body/gear face lubrication slots, these pumps are unidirectional. The standard pump is set up for normal rotation (clockwise when viewing the pump from the shaft end). Contact the factory if opposite rotation is required.

C994R1B2 is equipped with an integrated relief valve set up for internal bypassing. The relief valve is not intended to be a metering or flow control device. Its purpose is to function as a discharge pressure relief to guard against intermittent downstream system restrictions. Overheating can occur within 5 to 10 minutes if the discharge line is completely shut off. The relief valve is located on the discharge side of the pump. The pressure relief setting is not set at the factory. To increase pressure, turn the relief valve adjusting screw in a clockwise direction.



WARNING: This pump is not NSF certified and not intended for sanitary filtration service.

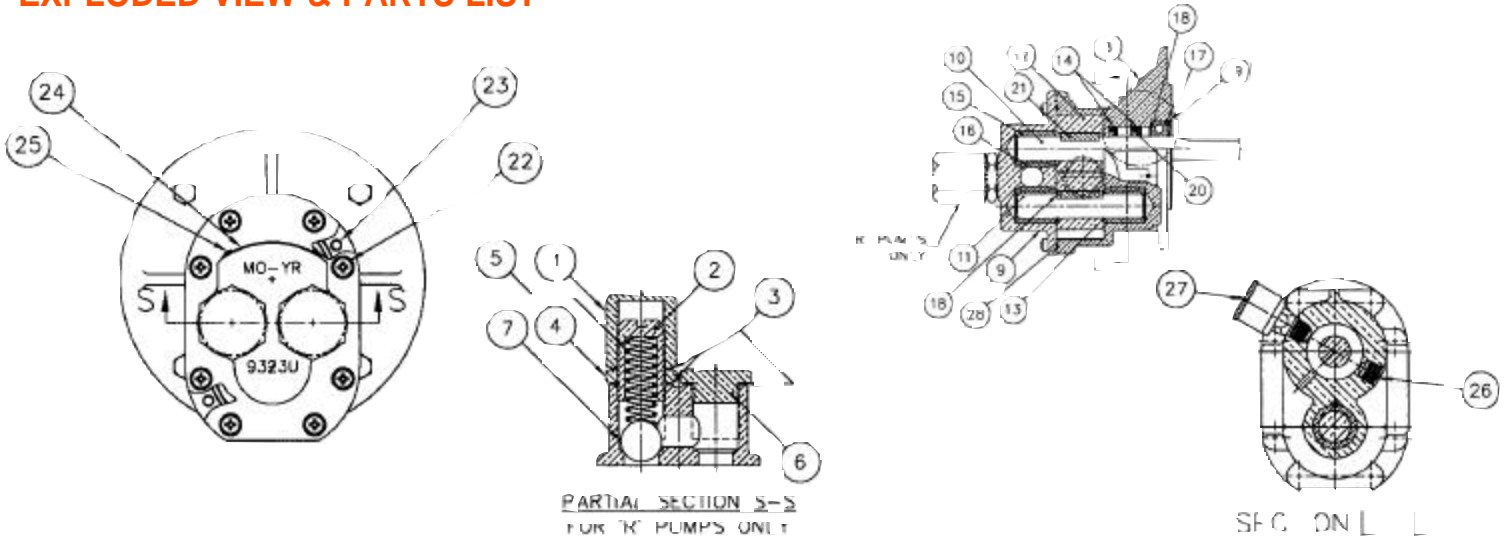
MODEL
C9941B2
C994R1B2

BRONZE CLOSE COUPLED ROTARY GEAR PUMPS



OBERDORFER PUMPS
A Subsidiary of Thomas Industries Inc.

EXPLODED VIEW & PARTS LIST



Pump No.	Qty. 1.00	Qty. 1.00	Qty. 3.00	Qty. 1.00	Qty. 1.00	Qty. 1.00	Qty. 1.00	Qty. 1.00	Qty. 1.00	Qty. 1.00	Qty. 1.00	Qty. 1.00	Qty. 1.00	Qty. 2.00	Qty. 3.00	Qty. 3.00	Qty. 1.00	Qty. 4.00	Qty. 1.00	Qty. 1.00	Qty. 2.00	Qty. 8.00	Qty. 2.00	Qty. 1.00	Qty. 2.00	Qty. 1.00	Qty. 1.00	Qty. 1.00	Qty. 1.00	Qty. 1.00	Qty. 1.00	Adapter Kits		
1	2	3	4	5	6	7	8	9	10	11	12	13	14	15	16	17	18	19	20	21	22	23	24	25	26	27	28	29						
Bypass Nut	Adjust. Screw	Fiber Washer	Locknut	Spring	Plugnut	Ball	Body	Cover	Drive Shaft	Idle Shaft	Drive Gear	Idle Gear	Lip Seal	Bearing Carbon	Bearing Pin	Bearing Ball	Ret. Ring	Ret. Ring	Ret. Ring	Key	Screw	Dowel Pin	Tag	Stick Screw	Pipe Plug	Grease Cup	O-Ring	Adapter Kits						
C9941B2	NA	NA	N/A	N/A	N/A	N/A	9320UEZV	9322UNEN	2785	2786	2888	2889	9354-03	2688	2687	5461	5382	5464	7557	6667	5385	8885	9344	9345	2052	5910	9797-041							
C994R1B2	5204	5200	2892	5209	5207	5205	5206	9320UEZV	9322UNEB	2785	2786	2888	2889	9354-03	2688	2687	5461	5382	5464	7557	6667	5385	8885	9344	9345	2052	5910	9797-041						See Chart

Adapter Kit	Part Number	Description
H	11299	56C Frame
J	11300	143TC/145TC
K	11301	182TC/184TC
L	11302	213TC/215TC

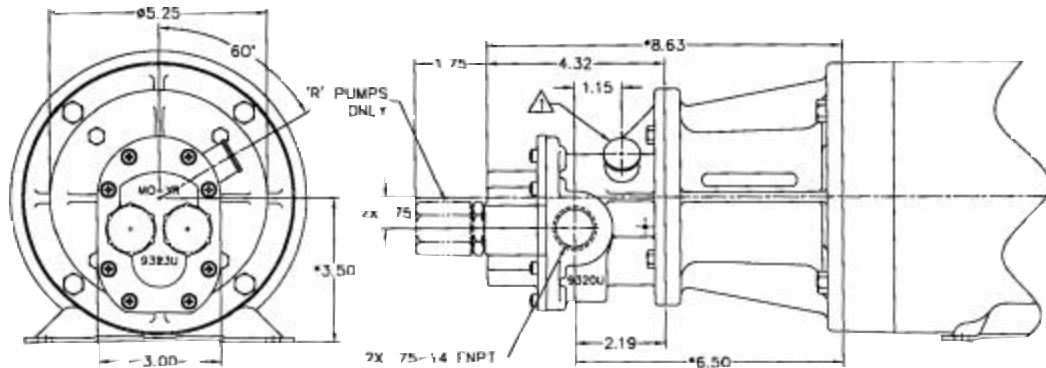
Variations

Pump Model	16 ^{1,2}	Description	Repair Kit
	Lipseal		
N994S15	9997	Viton(R)*-Teflon(R)*	12100
N994RS15	9997	Viton(R)*-Teflon(R)*	12100

Motor/Adapter Kit Dimensions (see below)

Model	Motor Frame	"A"	"B"	"C"
N994(R)H	56C	8.63	6.50	3.50
N994(R)J	143TC/145TC 182C/184C	8.63	6.50	3.50
N994(R)K	182TC/184TC 213C/215C	9.45	7.31	4.50
N994(R)L	213TC/215TC	9.45	7.31	5.25

DIMENSIONS



*THESE DIMENSIONS ARE SPECIFIC TO A 56C OR 143TC/145TC FRAME MOTOR
 ▲ GREASE CUP (ITEM 27) WITH A .125-27 NPT CONNECTION.

Specifications are subject to change without notice..

*Viton® or equivalent FKM will be used. Viton® is a trademark of DuPont Dow Elastomers.
 Teflon® or equivalent PTFE will be used. Teflon® is a registered trademark of DuPont.

2/2002