



OBERDORFER®

An Ingersoll Rand Business

Model 405M Bronze Close Coupled Rubber Impeller Pump



OB405MG-03UGY



OB405MK-04N26

Features

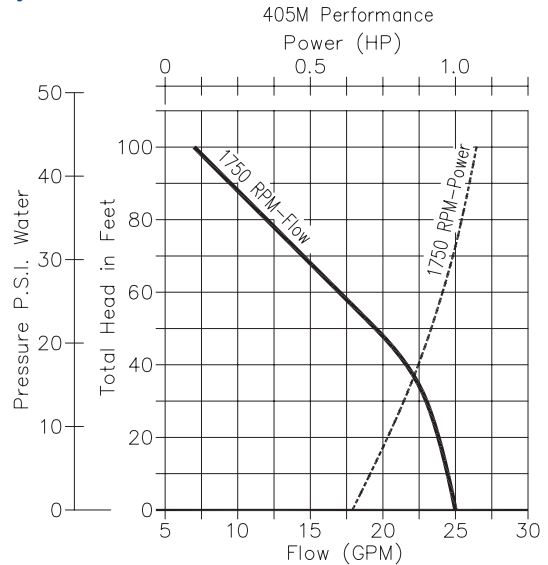
- All Bronze Construction
- Stainless Steel Shafts
- Portable
- Compact
- Easy Impeller Replacement
- Vacuum Switch Shut-off Optional
- AC Power Cord

General Description

Close coupled Rubber Impeller Pumps are made of high quality bronze for maximum corrosion resistance. The rubber impeller is mounted on a separate stainless steel shaft which is counterbored on the outer end in order to slide over the carbon steel motor shaft. Ball or sleeve bearings in the motor or engine support the shaft. Model 405M has a mechanical seal. Impellers are made of Neoprene rubber, Buna N impellers are available on request. (OB405M-07) blades is continuously squeezed out into the discharge. Flexible blades on the periphery of the impeller provide the pumping action While the impeller rotates, the liquid between the port by a cam located inside the pumping chamber. The flow may be throttled or shut off for a short period without the need of a relief valve.

Performance

Capacity Water at 60°F



Drive Arrangement

Close coupled Rubber Impeller Pumps are mounted directly onto the motor without the use of a shaft coupling. This pump is designed to be coupled to a Nema C 56C faced motor. It uses an aluminum adapter plate to accommodate the pump. The gas engine mount has its own adapter.

Liquids & Temperature

Liquids handled by Rubber Impeller Pumps with standard Neoprene impellers are primarily fresh or salt water and water solutions. Rubber Impeller Pumps are not suitable for pumping gasoline or solvents. Buna N (OB405M-07) impellers can handle oil contaminated water and kerosene at reduced impeller service life.

Liquid temperature range is from 40°F to 140°F. If freezing conditions are expected, the pump should be drained by loosening the cover screws and the pump chamber should be filled with methyl alcohol based antifreeze. Viscous liquids and oils can not be pumped with Rubber Impeller Pumps.

Suction Lift

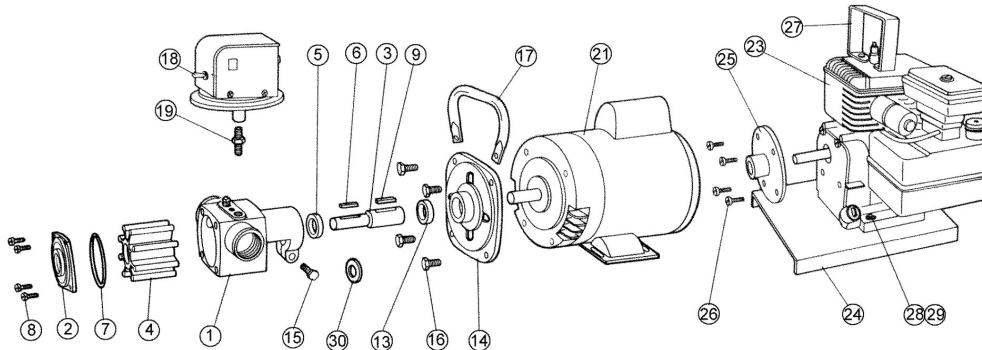
On initial start-up Rubber Impeller Pumps must be primed to prevent dry-running of the impeller. Suction lifts of 15 ft. are possible when pump is fully primed. A foot valve with built-in strainer at the beginning of the suction line is recommended. Suction lines should be as short as possible.



OBERDORFER®

An Ingersoll Rand Business

Exploded View and Parts List



	1	2	3	4 ⁵	5	6	7	8	9	12 ²	13	14	15	16	17 ¹	18 ⁴	19	20 ²	21	22 ²	23	24	25	
	Body	Cover	Shaft Exten.	Impeller	Seal Assy.	Key	O-Ring	Screw	Key	Wire Nut	Collar	Adapter	Screw	Screw	Handle Motor	Vaccum Switch	Nipple	Short Cord	Motor	Long Cord	Engine	Base	Adapter	
Pump No.	1 Qty.	1 Qty.	1 Qty.	1 Qty.	1 Qty.	1 Qty.	1 Qty.	4 Qty.	1 Qty.	2 Qty.	1 Qty.	1 Qty.	1 Qty.	4 Qty.	1 Qty.	1 Qty.	1 Qty.	1 Qty.	1 Qty.	1 Qty.	1 Qty.	1 Req'd	1 Req'd	
OB405M-04										---	OB5886	OB7459	OB5595	OB5411	---	---	---	---	---	---	---	---	---	
OB405M-04M26										OB9857	OB5886	OB7459	OB5595	OB5411	OB9773	---	---	---	OB7048	OB7044	---	---	---	
OB405M-04N26	OB7040	OB6625	OB7041	OB6603	OB32230	OB5475	OB8230	OB5504	OB6845	OB9857	OB5886	OB7459	OB5595	OB5411	OB9773	---	---	---	OB7055	OB7044	---	---	---	
OB405M-04M26											OB5886	OB7459	OB5595	OB5411	OB9773	OB7046	OB7050	OB7047	OB7048	OB7044	---	---	---	
OB405M-04N26											OB5886	OB7459	OB5595	OB5411	OB9773	OB7046	OB7050	OB7047	OB7055	OB7044	---	---	---	
OB405M-03UGY											OB5886		OB5595			OB7290						OB7230	OB6742	OB7517

	26	27	28	29	30	Repair Kit ³	Vaccum Switch Kit ⁴
	Screw	Handle Engine	Screw	Nut	Washer		
Pump No.	4 Req'd	1 Req'd	4 Req'd	4 Req'd	1 Req'd		
OB405M-04	---	---	---	---	OB6631	OB10955	---
OB405M-04M26	---	---	---	---	OB6631	OB10955	---
OB405M-04N26	---	---	---	---	OB6631	OB10955	---
OB405MK-04M26	---	---	---	---	OB6631	OB10955	OB10798
OB405MK-04N26	---	---	---	---	OB6631	OB10955	OB10798
OB405MG-03UGY	OB7610	OB6765	OB6057	OB5597	OB6631	OB10955	OB10798

¹ When (OB9773) handle is used, two item 16 (OB5411) screws are replaced with two (OB5974) screws and two (OB6831) flat washers.

² Items 10, 11, 12, 20 & 22 are not shown in illustration

³ Repair Kit contains items 4, 5 & 7.

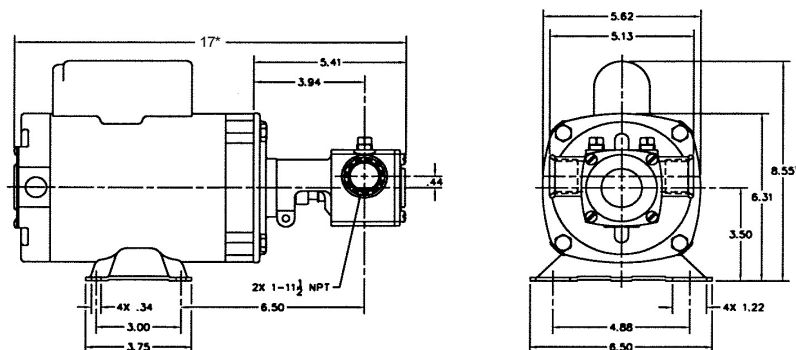
⁴ Vaccum Switch Kit contains items 11, 19, 20, 23 and two (OB7298) terminal rings.

⁵ Impeller in Buna (-07) is OB8515, Repair Kit is OB12220.

Pump and Drive Combinations

Model	Motor or Engine					
	Part #	HP	Speed	Enclosure	Voltage	
OB405M-04M26	OB7048	3/4	1725	ODP	115/230	AC single phase
OB405M-04M35	OB9903	3/4	1725	TEFC	115/230	AC single phase
OB405M-04M97	OB8470	3/4	1725	TEFC	230/460	AC three phase
OB405M-07M09	OB8758	3/4	1725	XP	115/230	AC single phase
OB405M-04N26	OB7055	1	1725	ODP	115/230	AC single phase
OB405M-04N95	OB8476	1	1725	ODP	230/460	AC three phase
OB405M-04M75	OB7996	3/4	1800	TEFC	12	DC
OB405M-04N76	OB9759	1	1800	TEFC	24	DC
OB405MG-03UGY	OB7230	3				Gasoline Engine

Dimensions



12500 South Pulaski Road
Alsip, IL 60803, USA
Phone (800) 448.1668