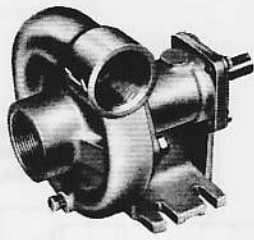
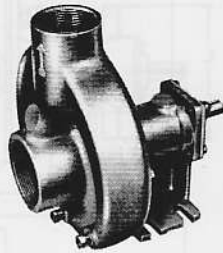


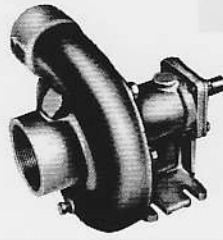
AVAILABLE IN BOTH ALL BRONZE AND CAST IRON CONSTRUCTION



LEFT HAND



REVERSIBLE

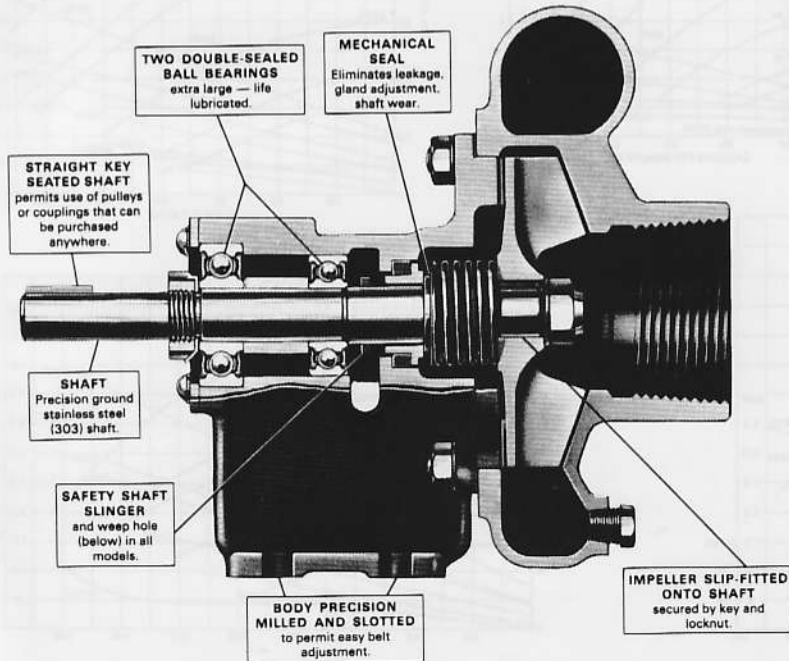


RIGHT HAND

High capacity foot mounted Centrifugal Pumps available in Cast Iron or All Bronze.

Housings can be rotated to meet piping needs. Slotted bases for easy installation. Many other features as shown below make these models ideal for many applications.

Foot Mounted with Mechanical Seal STRAIGHT CENTRIFUGAL PUMPS



**SERIES
30 -110
130 - 200
35 to
320 GPM**

**CENTRIFUGAL
PUMPS**

**Foot Mounted
for Belt or
Direct Drive**

**HEAVY DUTY
BEARINGS
VITON MECHANICAL
SEAL
BELT OR
DIRECT DRIVE**

Available in:

**RIGHT HAND,
LEFT HAND
OR
REVERSABLE ROTATION
CAST IRON
ALL BRONZE**



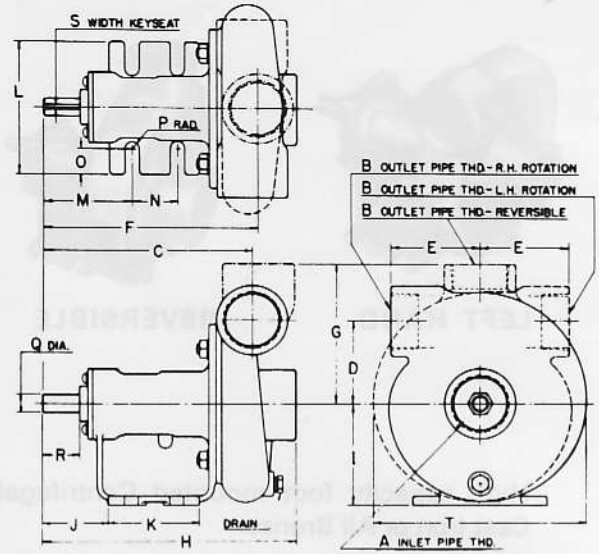
MP PUMPS, INC.
TECUMSEH PRODUCTS COMPANY
34800 BENNETT DRIVE • FRASER, MI 48026-1686
(810) 293-8240 • FAX (810) 293-8469
800 563-8006

SERIES

30 - 110 - 130 - 200

CENTRIFUGAL PUMPS FOOT MOUNTED MECHANICAL SEAL

AVAILABLE IN BOTH ALL-BRONZE
AND ALL-IRON CONSTRUCTION



DIMENSIONS																					
Series	A	B	C	D	E	F	G	H	I	J	K	L	M	N	O	P	Q	R	S	T	
30	1	3/4	5 1/2	2 3/4	1 1/2			6 1/8	2 3/4	1 1/8	2 1/2	3 1/2	2 1/8	1 1/4	3/8	3/16	1/2	1	1/2		
110	1 1/2	1 1/4	6 1/8	2 3/4	2 3/4			8 1/8	3 3/4	2 3/8	2 3/4	4	2 1/8	1 1/2	3/4	3/16	3/8	1 1/2	3/8		
130	2	1 1/2	6 1/8	3	2 3/4			8 1/8	3 3/4	2 3/8	2 3/4	4	2 1/8	1 1/2	3/4	3/16	3/8	1 1/2	3/8		
200	2 1/2	2	6 1/8	4	3 3/4			9 1/8	4 3/4	2	3 3/4	5	2 1/8	2	3/4	7/32	3/8	1 1/2	3/8		
Reversible Series																					
30	1	3/4					5 1/8	3 3/8	6 1/8	2 3/4	1 1/8	2 1/2	3 1/2	2 1/8	1 1/4	3/8	3/16	1/2	1	1/2	5 1/4
130	2	1 1/2					6 3/8	5 1/8	8 3/8	3 3/8	2 3/8	2 3/4	4	2 1/8	1 1/2	3/4	3/16	3/8	1 1/2	3/8	7 1/2
200	2 1/2	2					7 3/8	6 3/8	9 3/8	4 3/8	2	3 3/4	5	2 1/8	2	3/4	7/32	3/8	1 1/2	3/8	10

