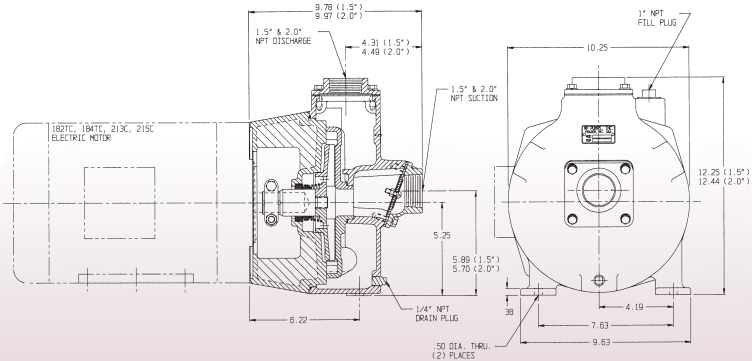


Features & Options

- 1 1/2" X 1 1/2" OR 2" X 2" HIGH HEAD SELF PRIMING CENTRIFUGAL PUMPS
- PUMPAK
- "C" FACE ELECTRIC MOTOR DRIVE 5HP, 7.5HP
- PEDESTAL DRIVE
- FLOWS TO 140 GPM
- PRESSURES TO 190 TDH
- CAST IRON OR BRONZE CONSTRUCTION
- DRIVE SLEEVE—304 STAINLESS STEEL
- FASTENERS—STAINLESS STEEL
- SEALS—STANDARD CARBON, CERAMIC, STAINLESS STEEL AND VITON WITH OTHER OPTIONS AVAILABLE (CONSULT FACTORY)

DIMENSIONS



Pump Performance Curves

