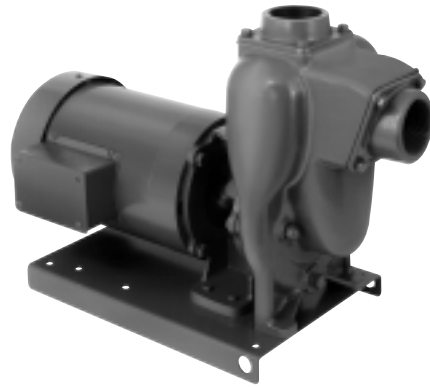


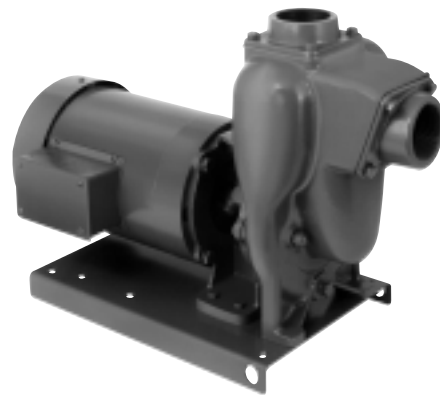
FLOMAX 5 8 10

SELF PRIMING CENTRIFUGAL PUMP FEATURES

- CLOSED COUPLED TO ELECTRIC MOTOR
- PUMPAK ONLY TO MOUNT TO STANDARD NEMA "C" FACE MOTOR
FLOMAX 40 BELT OR DIRECT DRIVE
- FLOWS - 100-750 GPM
- PRESSURES - 100-230 FEET HEAD
- AVAILABLE IN: CAST IRON, BRONZE AND ALUMINUM
FLOMAX 8 STAINLESS STEEL 316 SS
FLOMAX 40 CAST IRON
- WITH OR WITHOUT ELECTRIC MOTOR
- IMPELLER - CAST IRON, BRONZE, ALUMINUM & STAINLESS STEEL
FLOMAX 40 CAST IRON & STAINLESS STEEL
- SHAFT SLEEVE - STAINLESS STEEL
- FASTENERS - STAINLESS STEEL
- SEALS - STANDARD VITON, OPTIONAL SEALS AVAILABLE
- OPTIONS:
 - ENGINE DRIVES
 - PEDESTAL MODELS
 - HYDRAULIC DRIVES AND CLUTCHPAKS



FLOMAX 5



FLOMAX 8

MODEL	Suction	Discharge
FLOMAX 5	1 1/2" NPT	1 1/2" NPT
FLOMAX 8	2" NPT	2" NPT
FLOMAX 10	2" NPT	2" NPT
FLOMAX 15	3" NPT	3" NPT
FLOMAX 30	3" NPT	3" NPT
FLOMAX 40	4" NPT	4" NPT

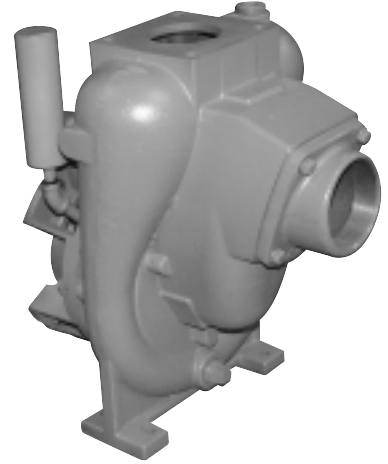


316 SS FLOMAX 8

15 30 40



**FLOMAX 5 & 8
DOUBLE SEAL**



**FLOMAX 30
SHORT COUPLED**



FLOMAX 10

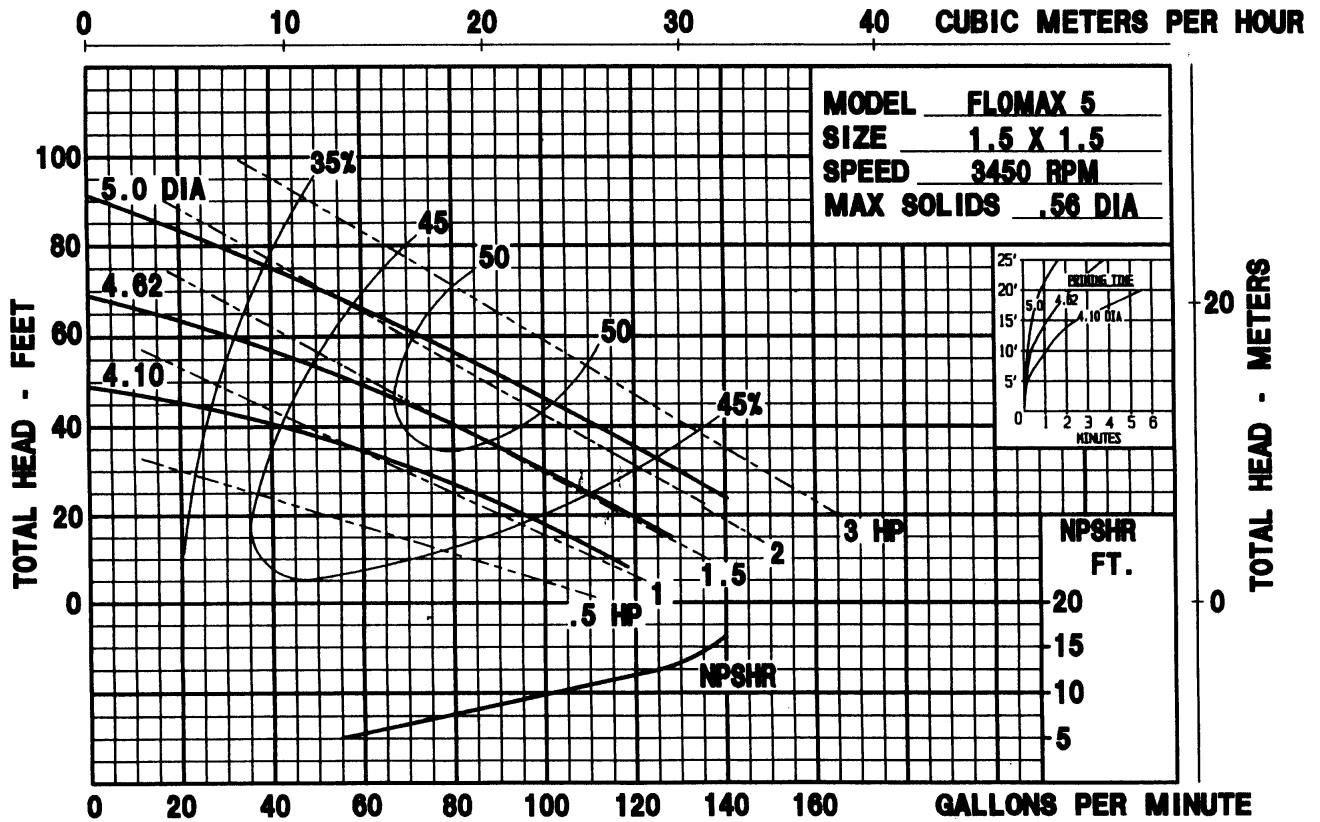
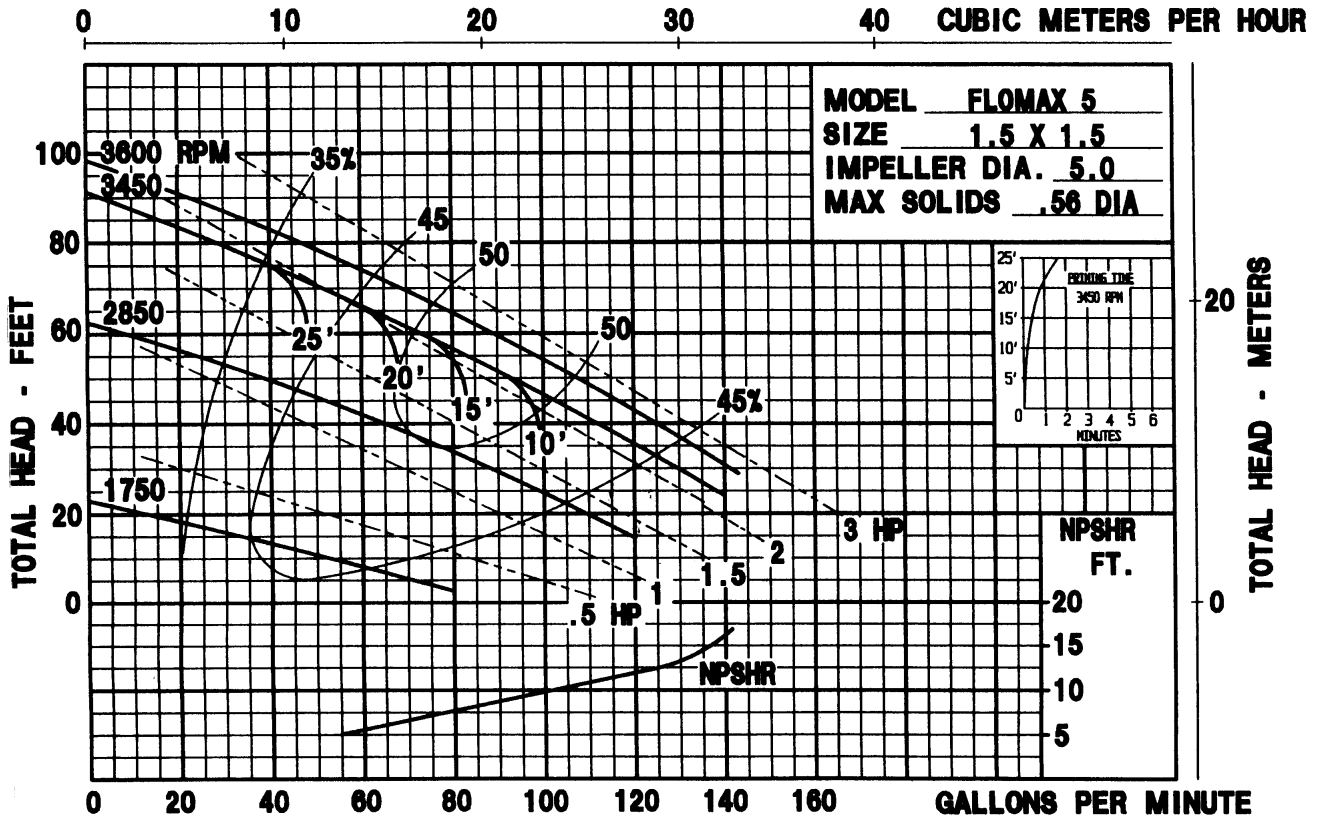


FLOMAX 40

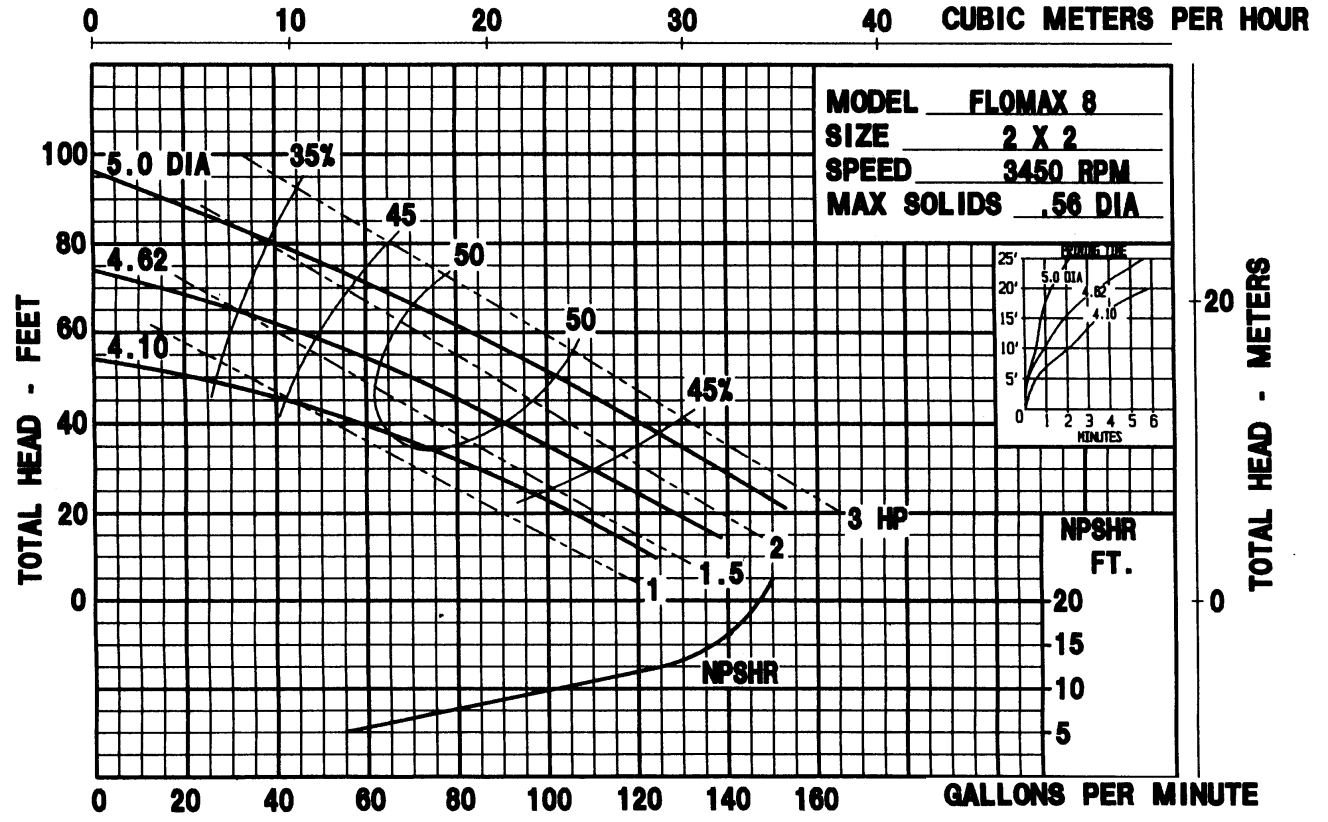
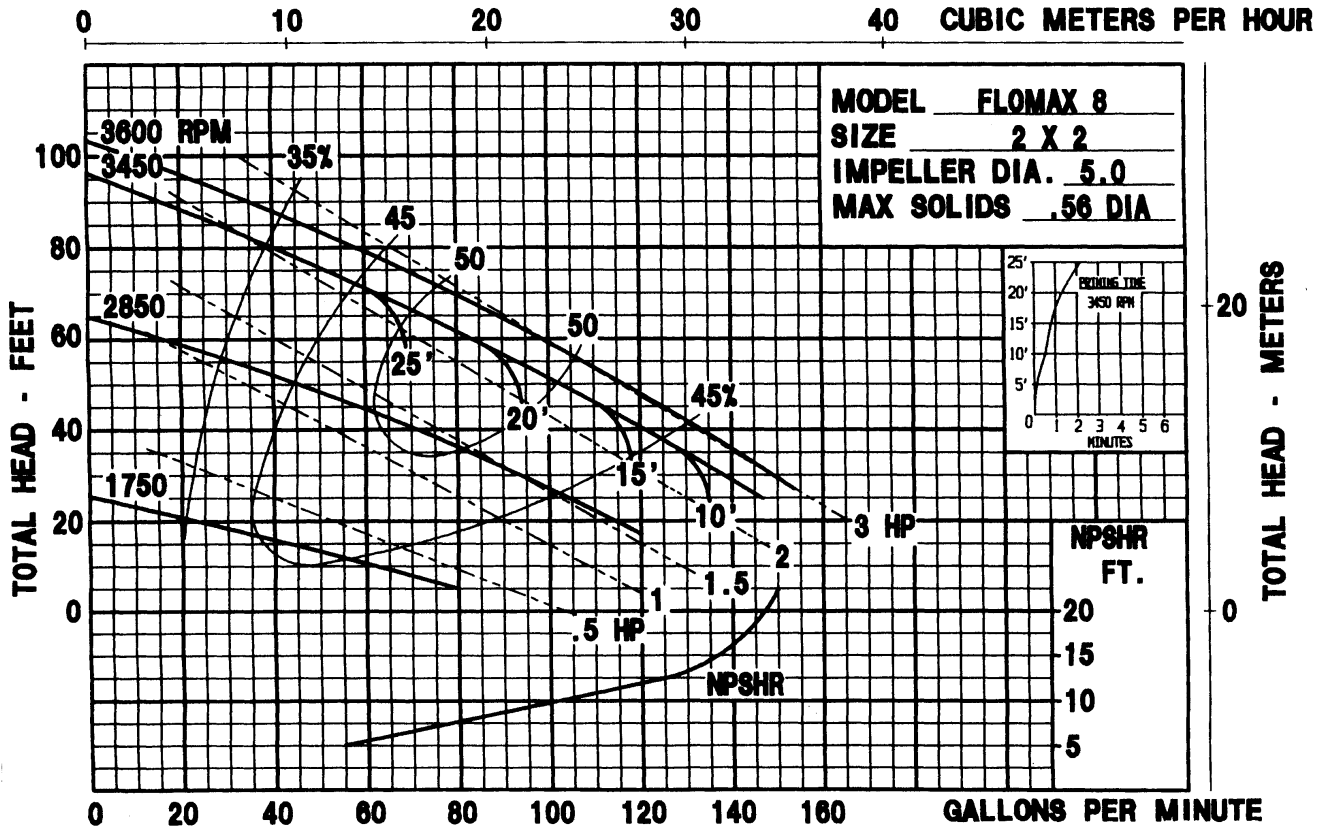


FLOMAX 15

Flomax 5 Pump Performance Curves

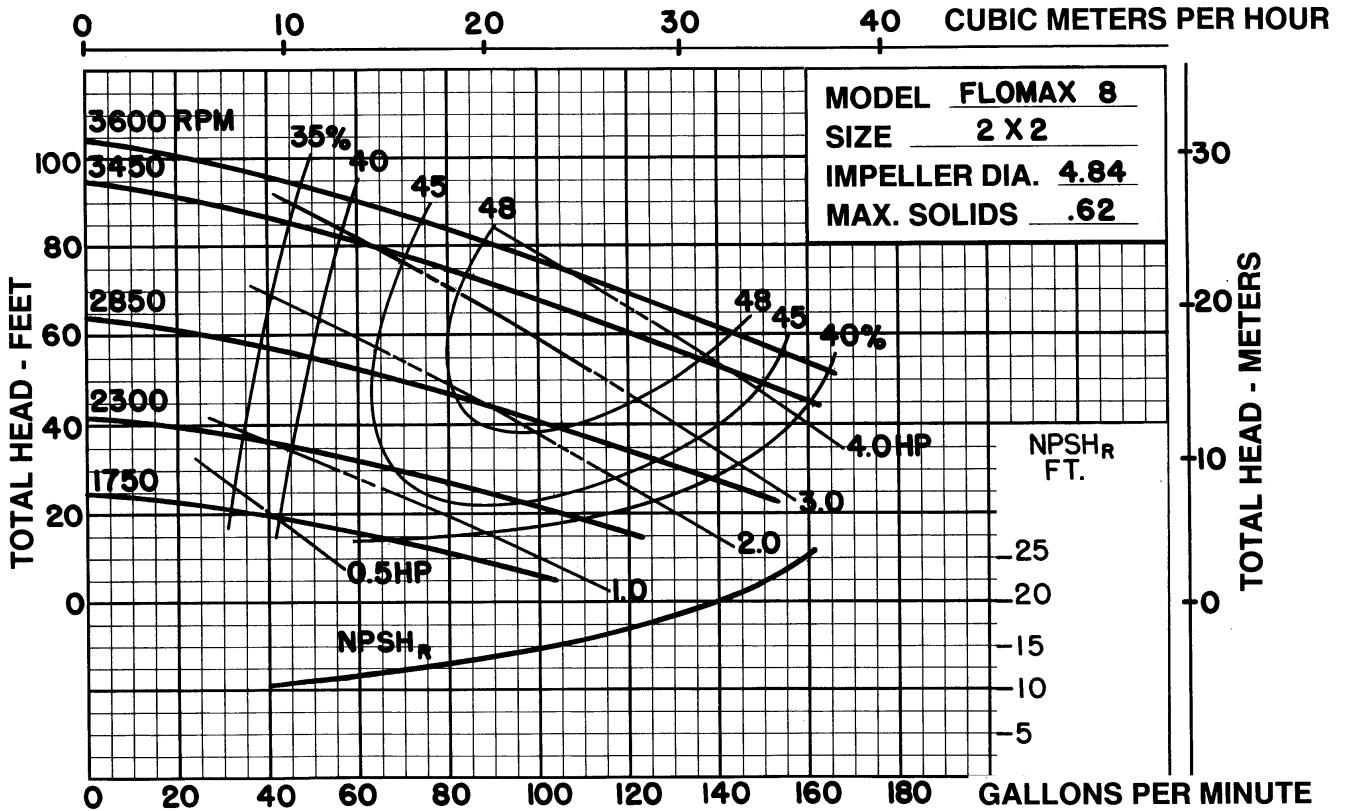
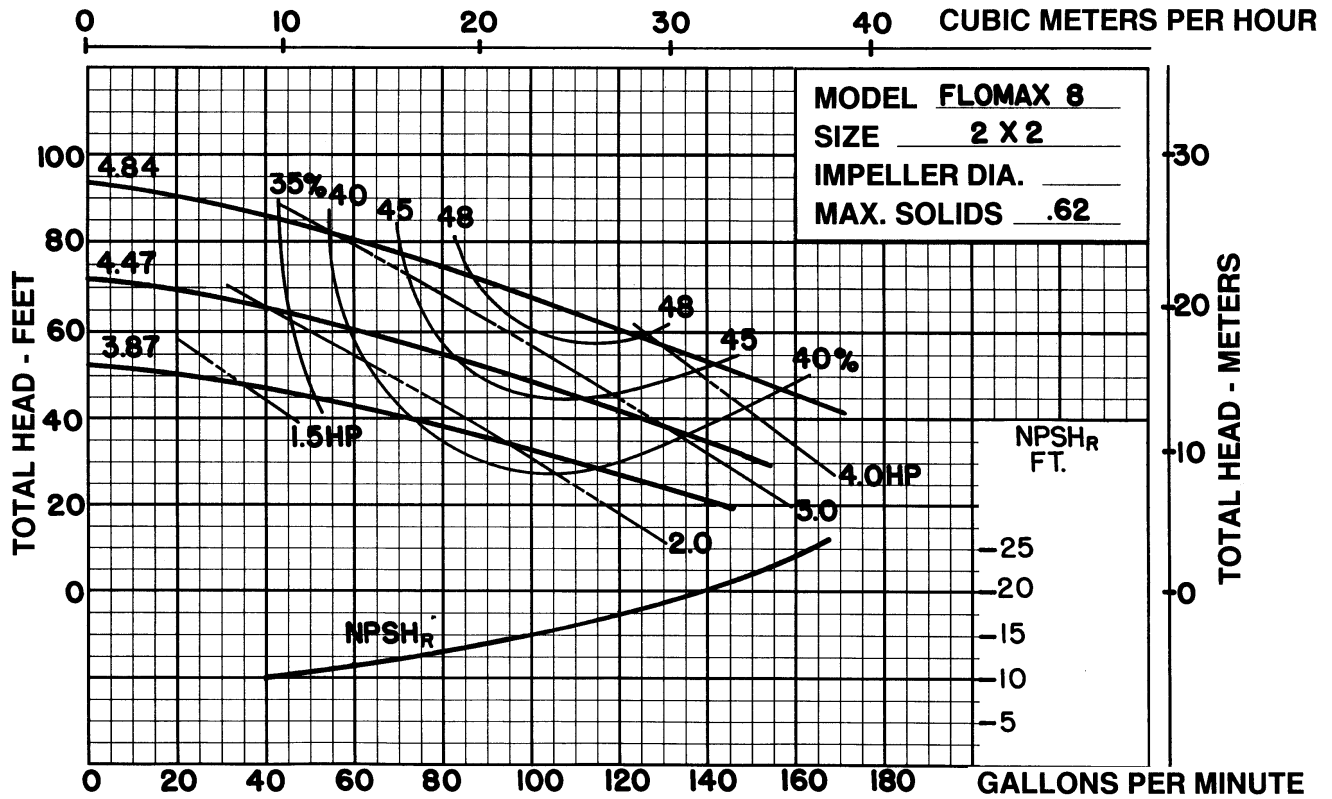


Flomax 8 Pump Performance Curves

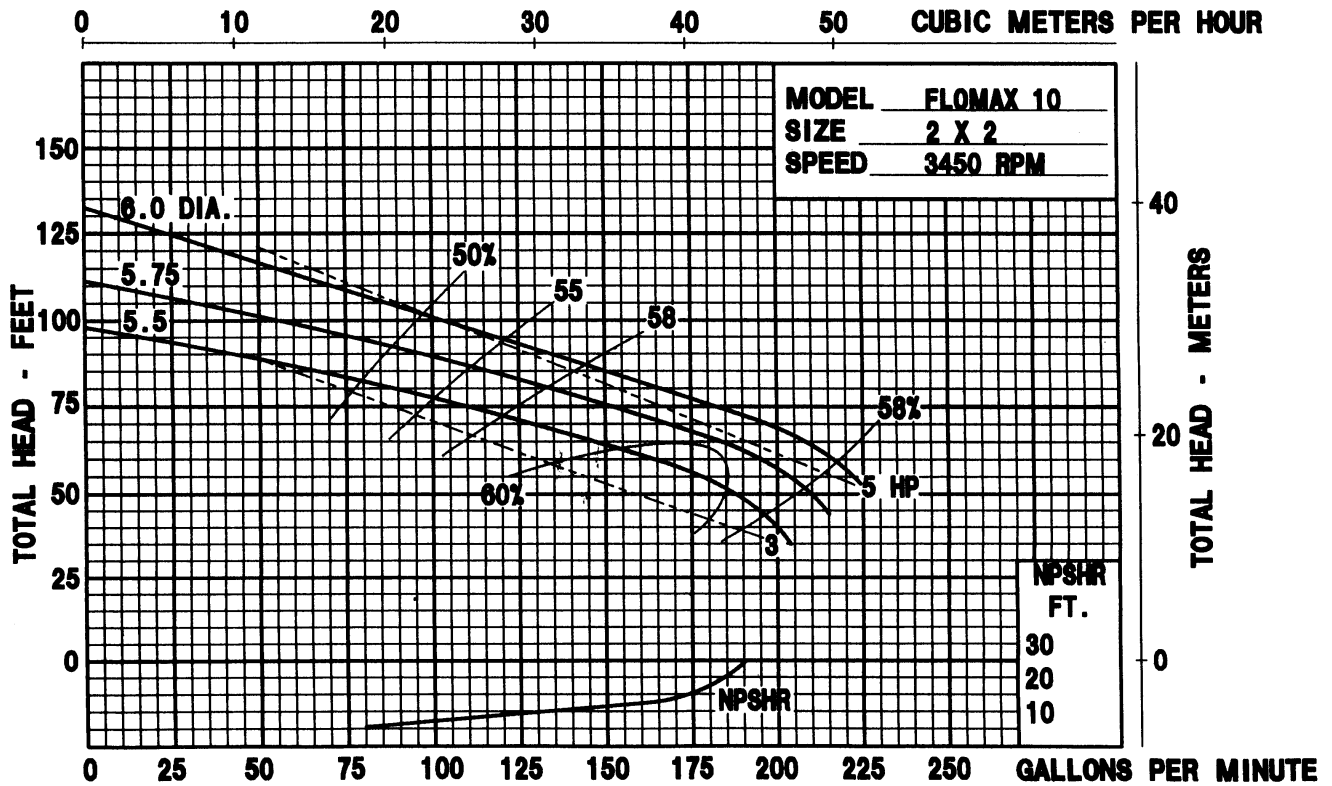
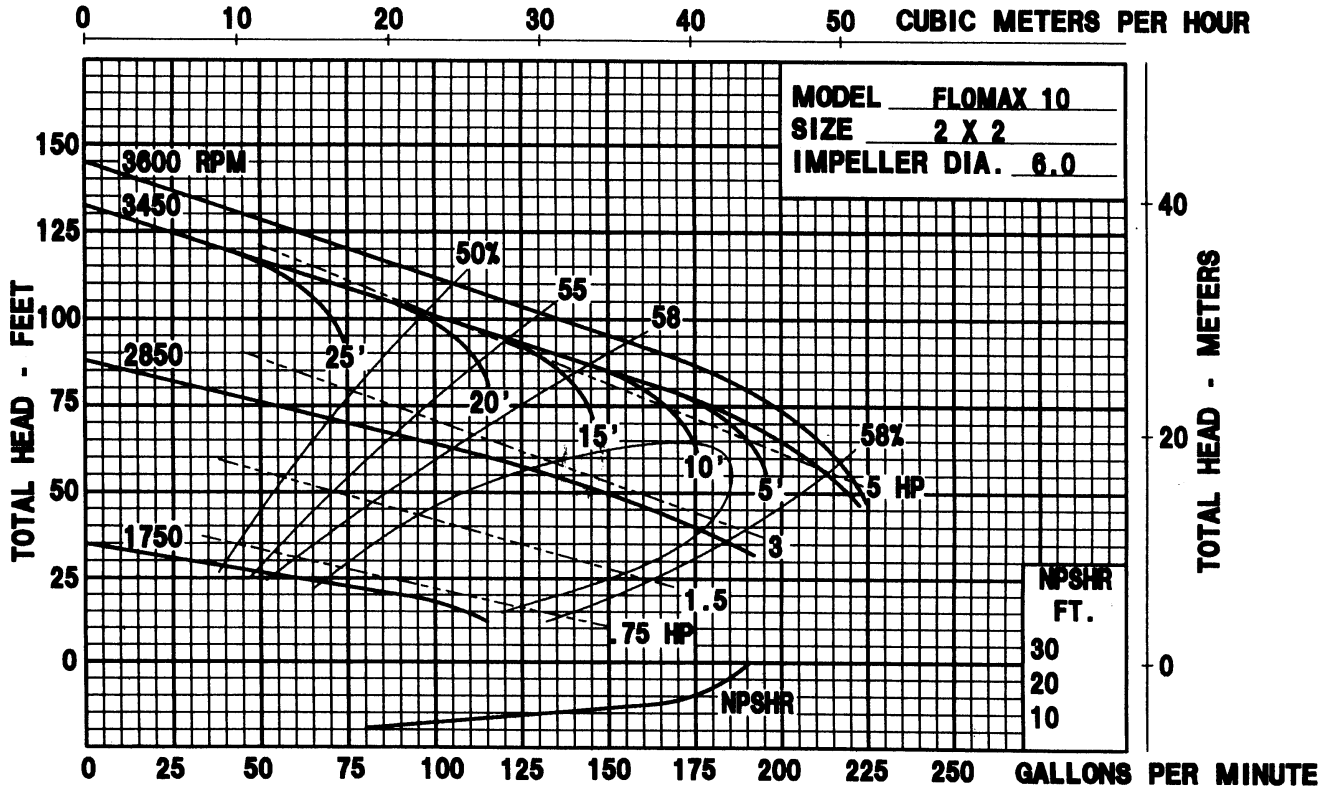


Other Performance Curves Available Upon Request

FLOMAX 5 & 8 Pump Double Seal Performance Curves

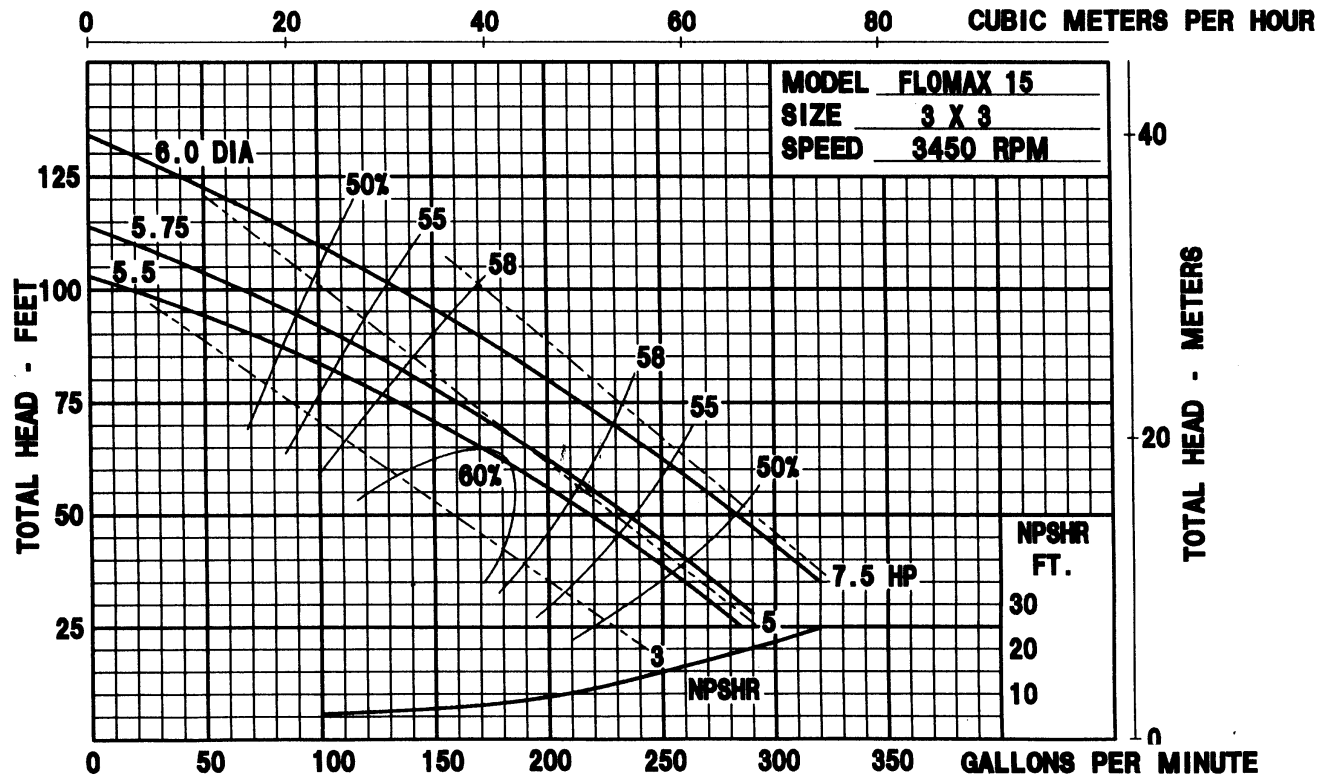
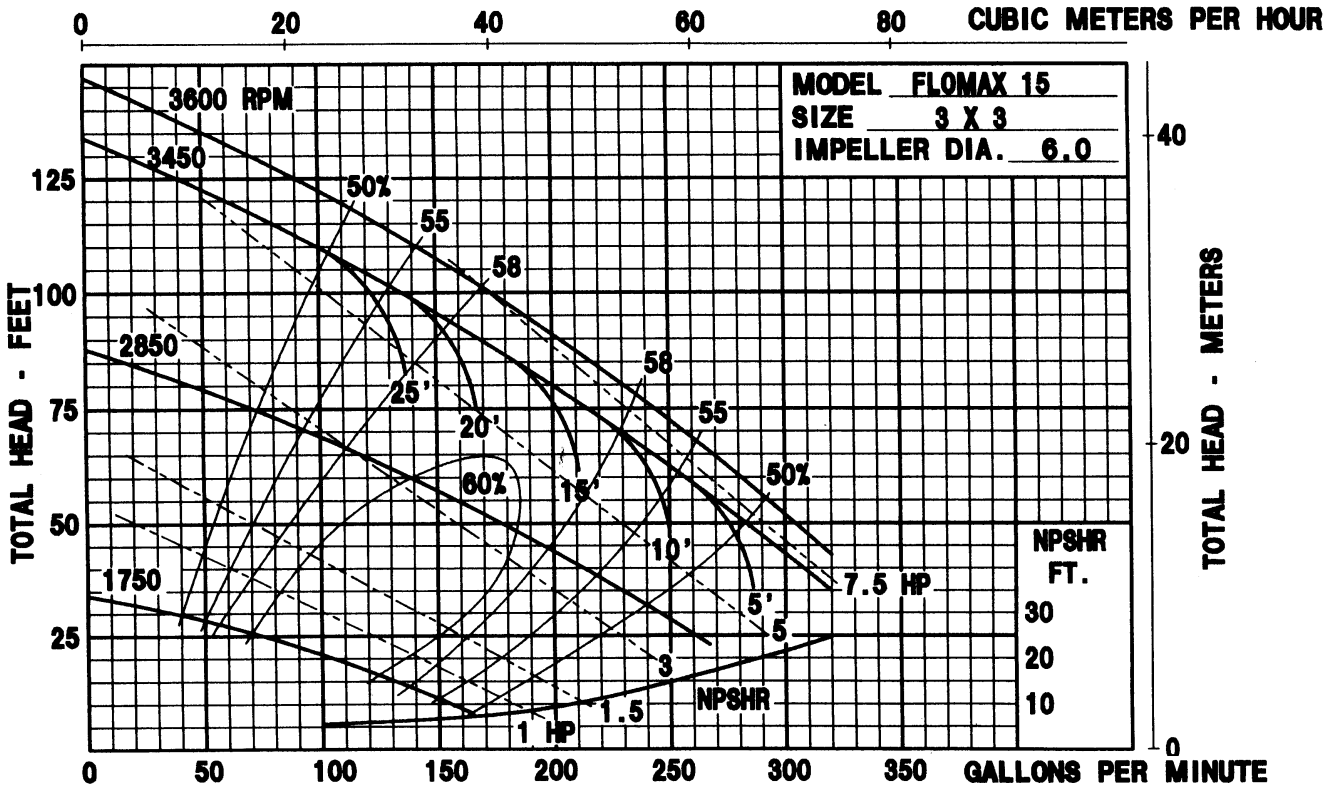


Flomax 10 Pump Performance Curves

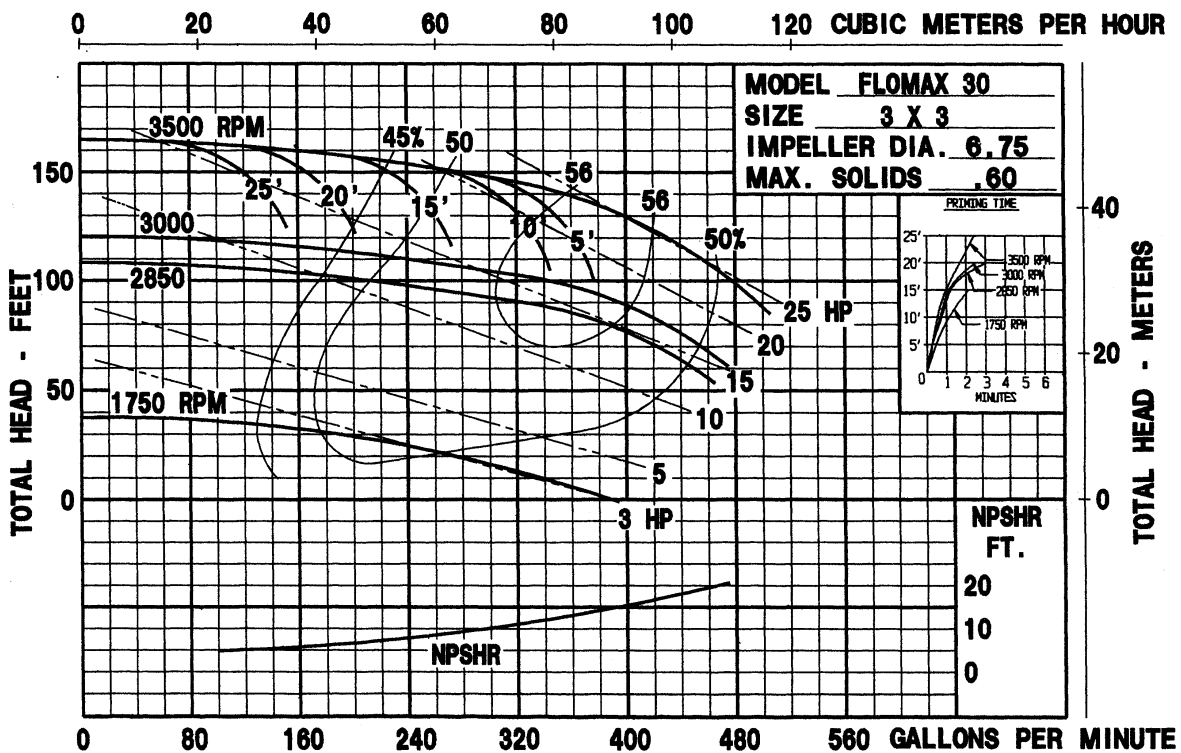
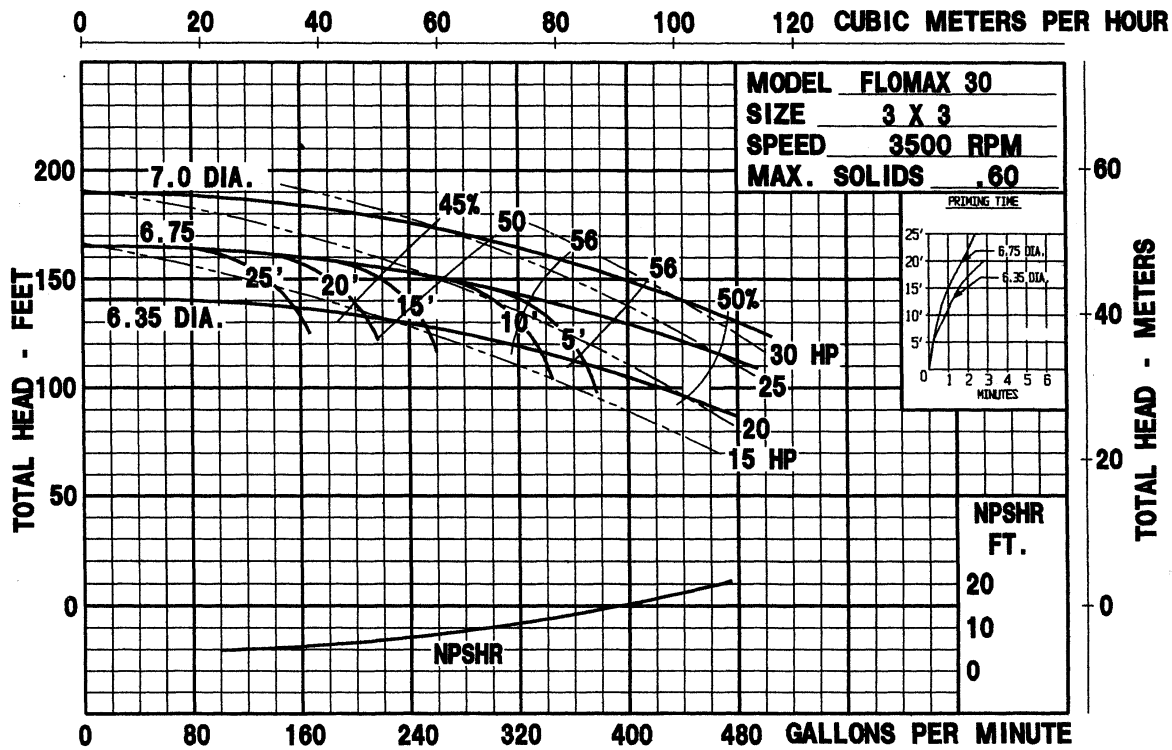


Other Performance Curves Available Upon Request

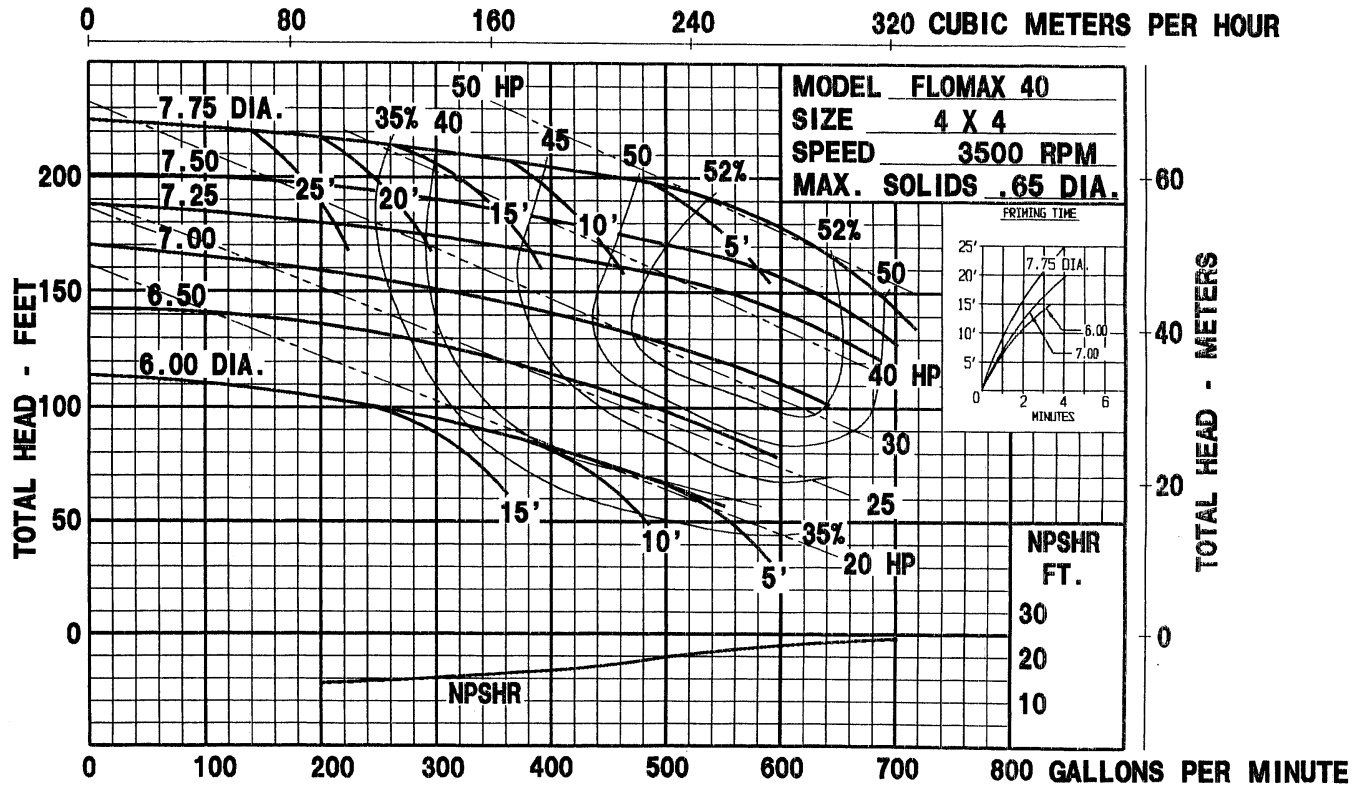
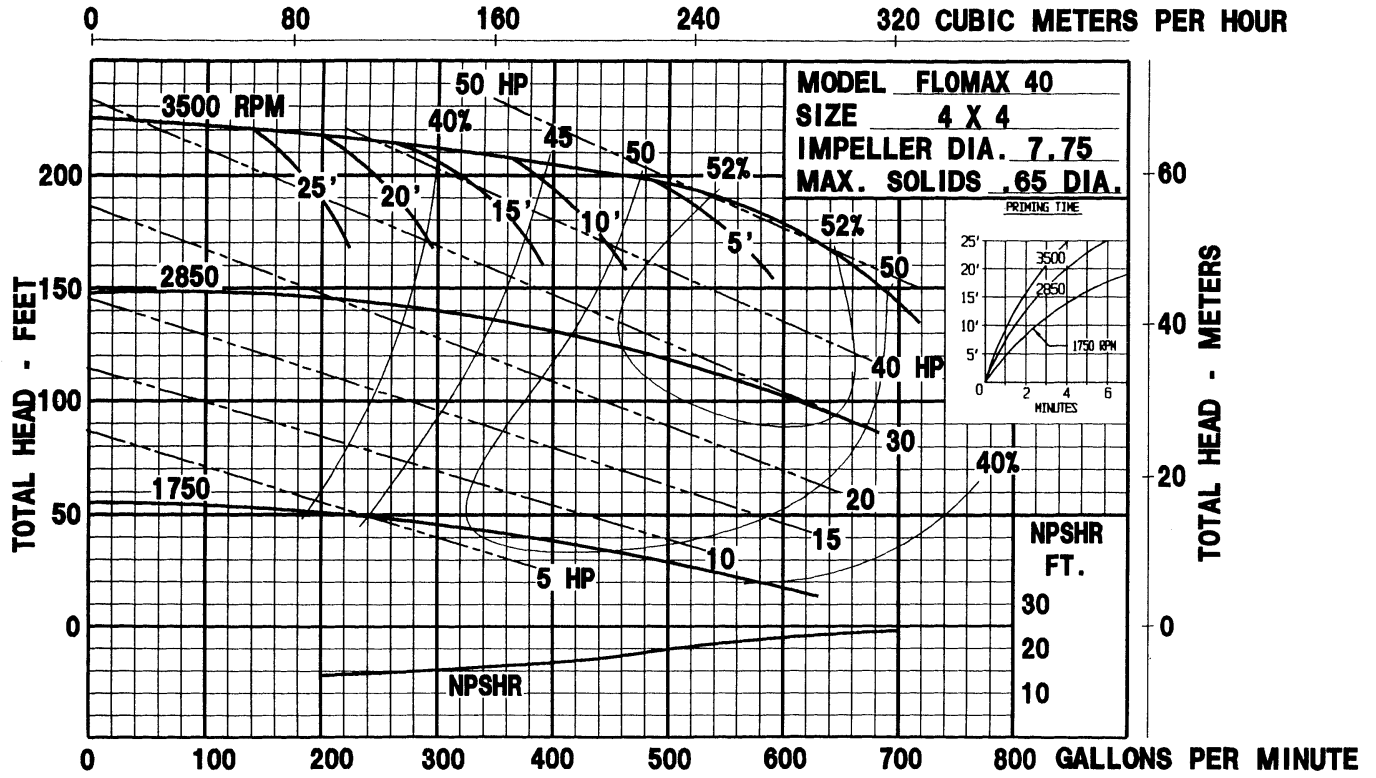
Flomax 15 Pump Performance Curves



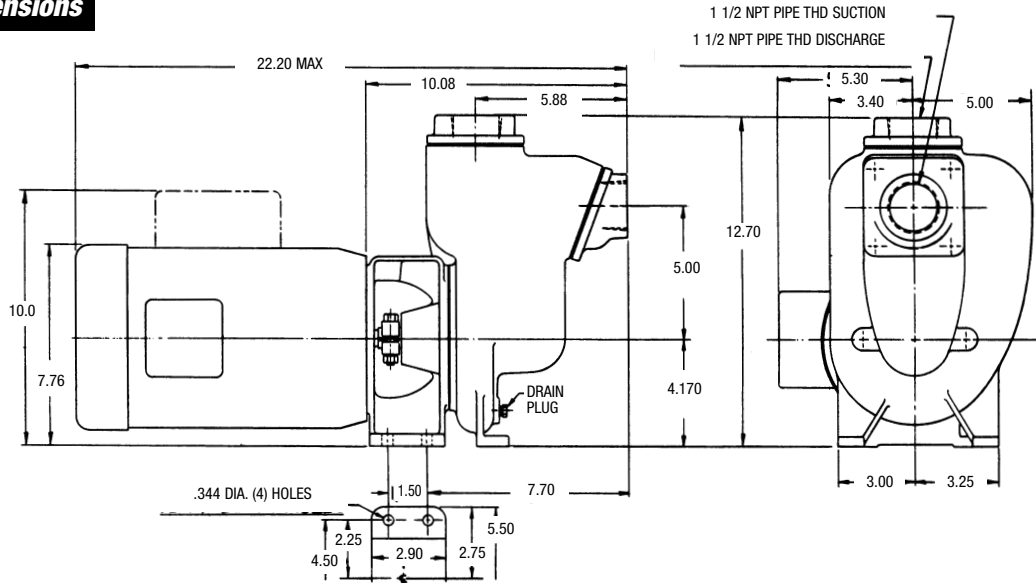
Flomax 30 Pump Performance Curves



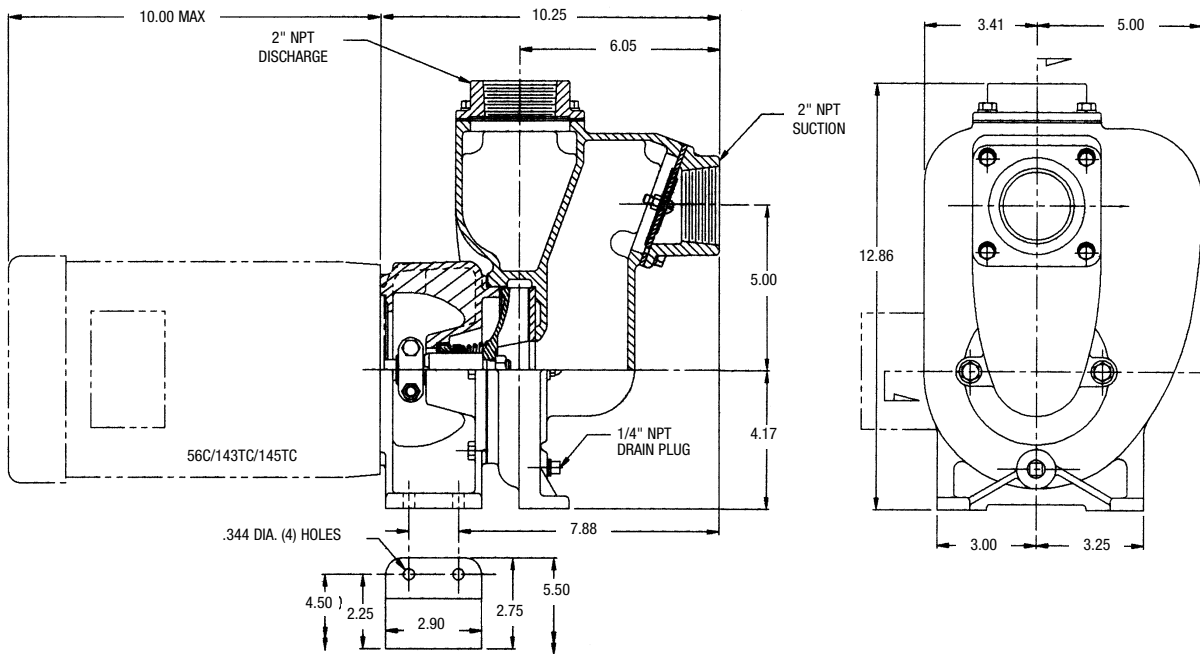
Flomax 40 Pump Performance Curves



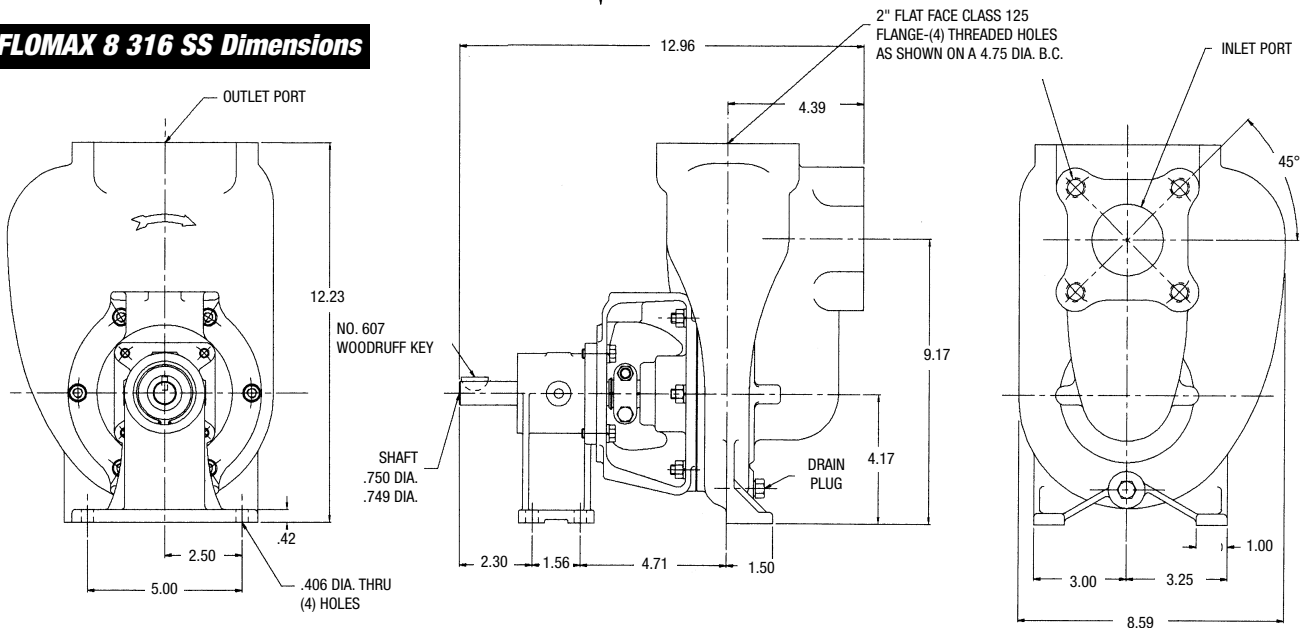
Flomax 5 Dimensions



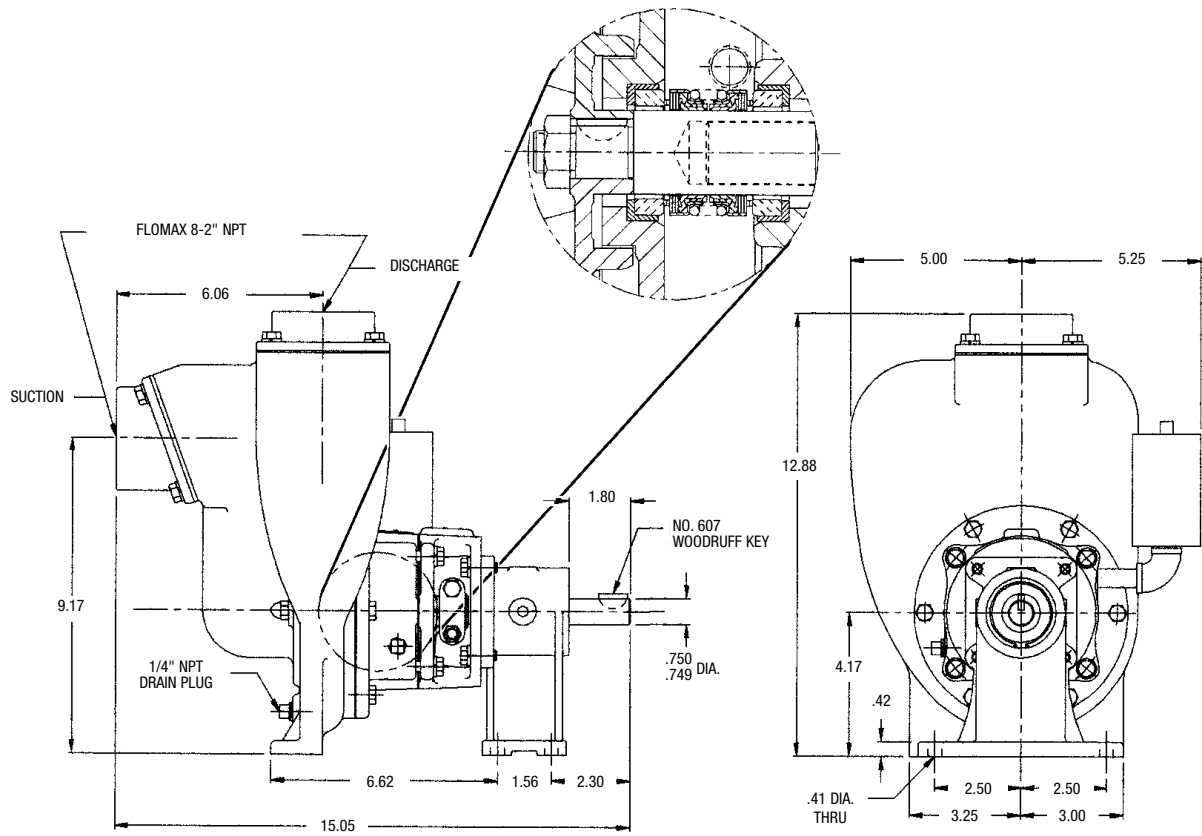
Flomax 8 Dimensions



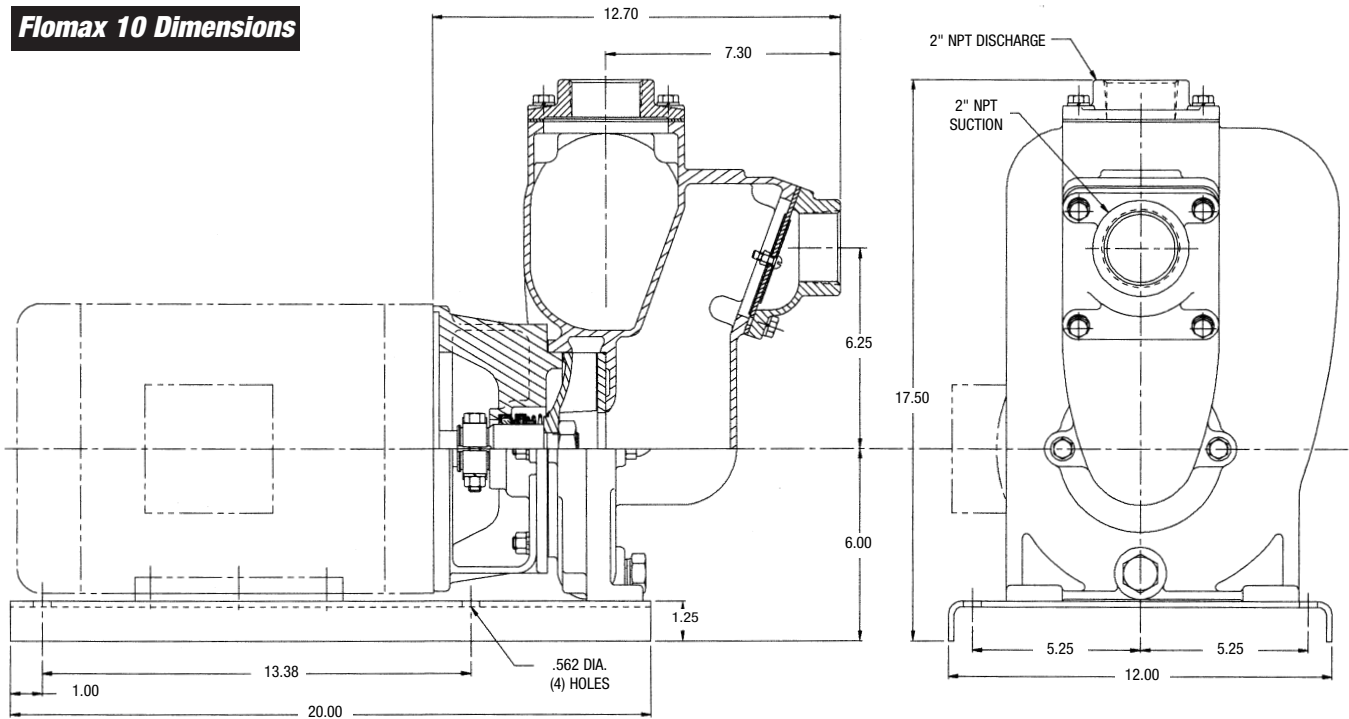
FLOMAX 8 316 SS Dimensions



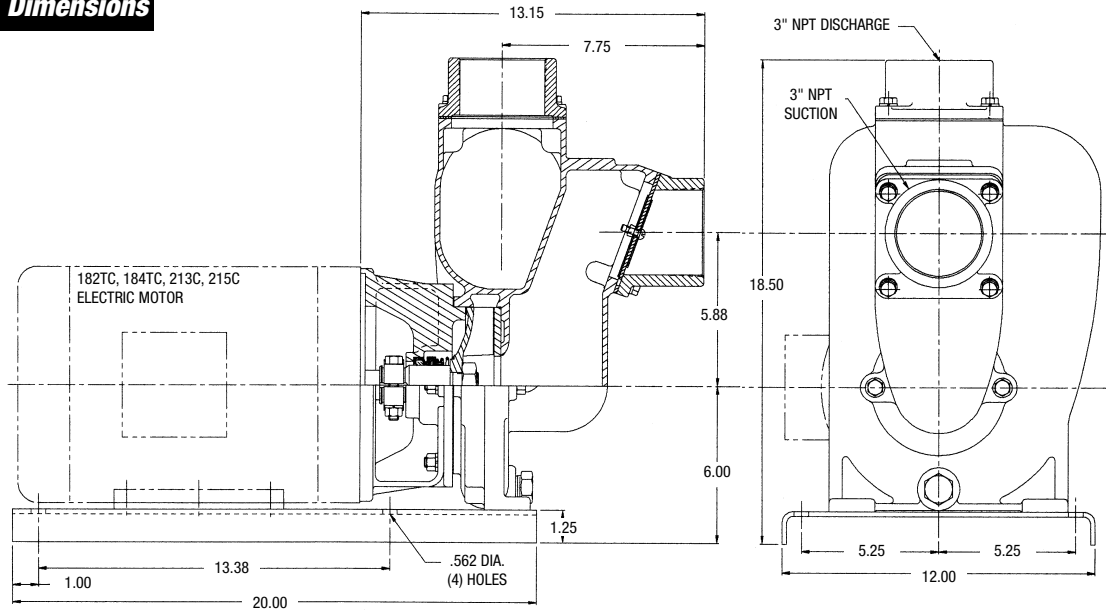
FLOMAX 5 & 8 Dimensions



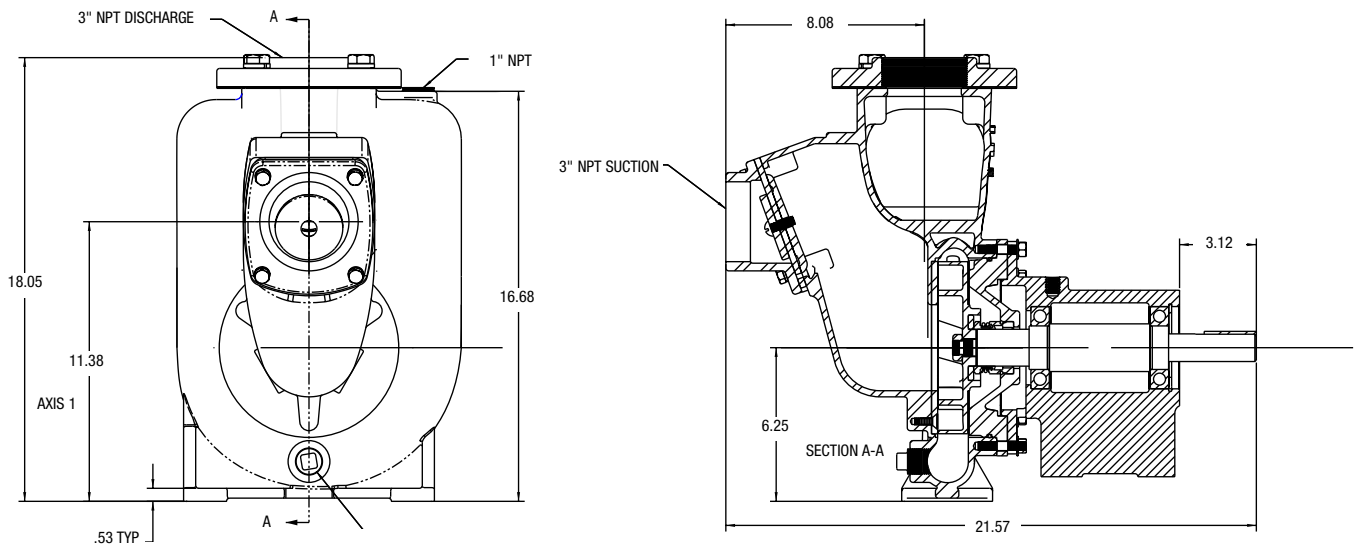
Flomax 10 Dimensions



Flomax 15 Dimensions



Flomax 30 Pedestal Mount Dimensions



Flomax 40 Dimensions

