

FLOMAX 10

2" x 2" SELF PRIMING CENTRIFUGAL PUMP

FLOMAX 10 self-priming centrifugal pump is designed to fit standard NEMA "C" frame motors with standard armature shafts. The PUMPAK is completely assembled and can be mounted to a standard motor in minutes.

FLOMAX 10 is made in bronze, aluminum, or cast iron construction to suit a wide variety of liquids. All fasteners are stainless steel to reduce corrosion. Impellers are balanced and trimmed to insure non-overloading conditions. Standard stainless steel and Viton mechanical seal is self-adjusting and corrosion resistant to handle many different liquids. Special seals, optional EPDM gaskets and check valves are also available. Pump assemblies are offered with open drip-proof, TEFC, and explosion-proof NEMA design motors, or as PUMPAKS only to fit customer's standard motors.

PUMP SPECIFICATIONS

Suction & Discharge	2" x 2"
Housing	Cast Iron, bronze or aluminum
Impeller	Cast Iron, bronze or aluminum
Shaft Sleeve	Stainless steel to fit 1 1/2" shaft
Fasteners	Stainless Steel
Seals	Standard Viton, Special seal material combinations available. (Consult the factory).

Close-Coupled to

Electric Motor

or

PUMPAK Only to Mount

to Standard NEMA "C"

Face Motor

5 HP • 7.5 HP

UP TO 210 GPM
UP TO 130 FEET HEAD

Available in:

**BRONZE ALUMINUM
CAST IRON**

- WITH OR WITHOUT
ELECTRIC MOTOR

 **MP PUMPS, INC.**
TECUMSEH PRODUCTS COMPANY
34800 BENNETT DRIVE • FRASER, MI 48026-1686
(810) 293-8240 • FAX (810) 293-8469

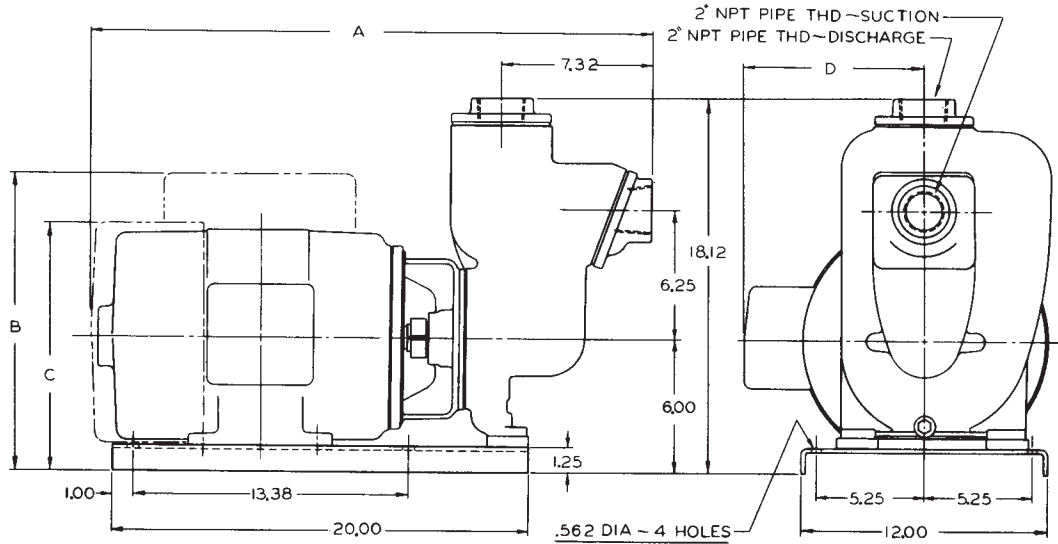
FLOMAX 10

2" x 2"

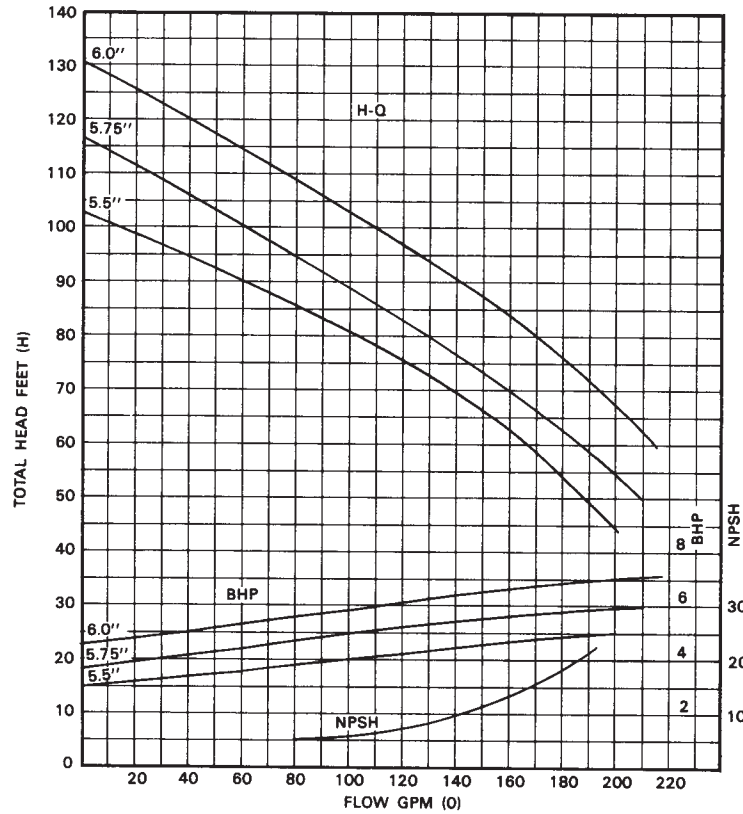
SELF-PRIMING CENTRIFUGAL ELECTRIC MOTOR DRIVE

FLOMAX 10

FRAME	MOTOR			DIMENSION			
	HP	PH	ENCL	A	B	C	D
184 TC	5	3	TEFC	26,52		9,70	5,88
184 TC	7,5	3	TEFC	28,02		9,70	5,88
213 C	5	3	TEFC	26,52		11,32	7,38
213 C	5	3	ODP	24,90		11,32	7,38
213 C	5	1	TEFC	28,14	14,08	11,32	7,38
215 C	7,5	3	TEFC	28,14		11,32	7,38



FLOMAX 10
2 x 2 SELF-PRIMING PUMP
3450 RPM S.G. = 1.0



MP PUMPS, INC.
TECUMSEH PRODUCTS COMPANY
34800 BENNETT DRIVE • FRASER, MI 48026-1686
(810) 293-8240 • FAX (810) 293-8469