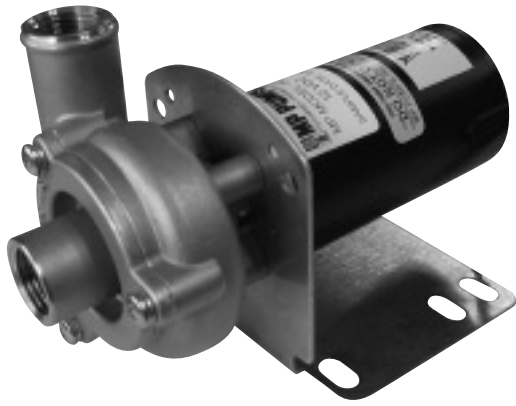


FRX Series

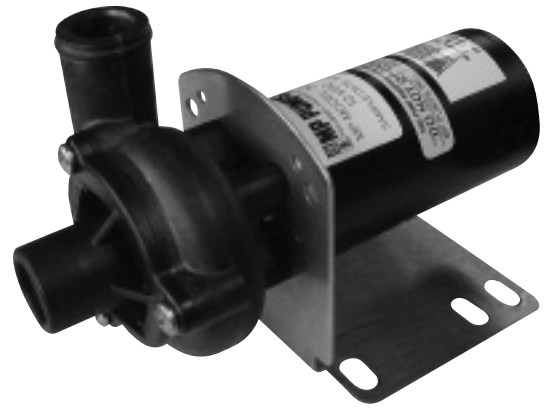
FRACTIONAL HP CENTRIFUGAL PUMP FEATURES

- CLOSE COUPLED TO ELECTRIC MOTORS
- 316 SS CONSTRUCTION
FRX 50-R POLYPHENYLENE HOUSING AND COVER
- FLOWS: 8-50 GPM
- PRESSURES: 9 TO 85 FEET HEAD
- IMPELLER: STAINLESS STEEL
- FRX 75-SP: SUCTION LIFT TO 12 FEET
- MECHANICAL SEALS: CARBON/CERAMIC/VITON
- MOTOR OPTIONS: AC AND DC
FRX 125 AC ONLY

MODEL	Suction	Discharge
FRX 50	1/2" NPT/1" HOSE	1/2" NPT/1" HOSE
FRX 50-R	1" HOSE	1"HOSE
FRX 75	3/4" NPT	3/4" NPT
FRX 75-SP	3/4" NPT	3/4" NPT
FRX 100	1" NPT	1" NPT
FRX 125	1 1/4" NPT	1" NPT



FRX 50



FRX 50-R



FRX 75

FRX 75-SP



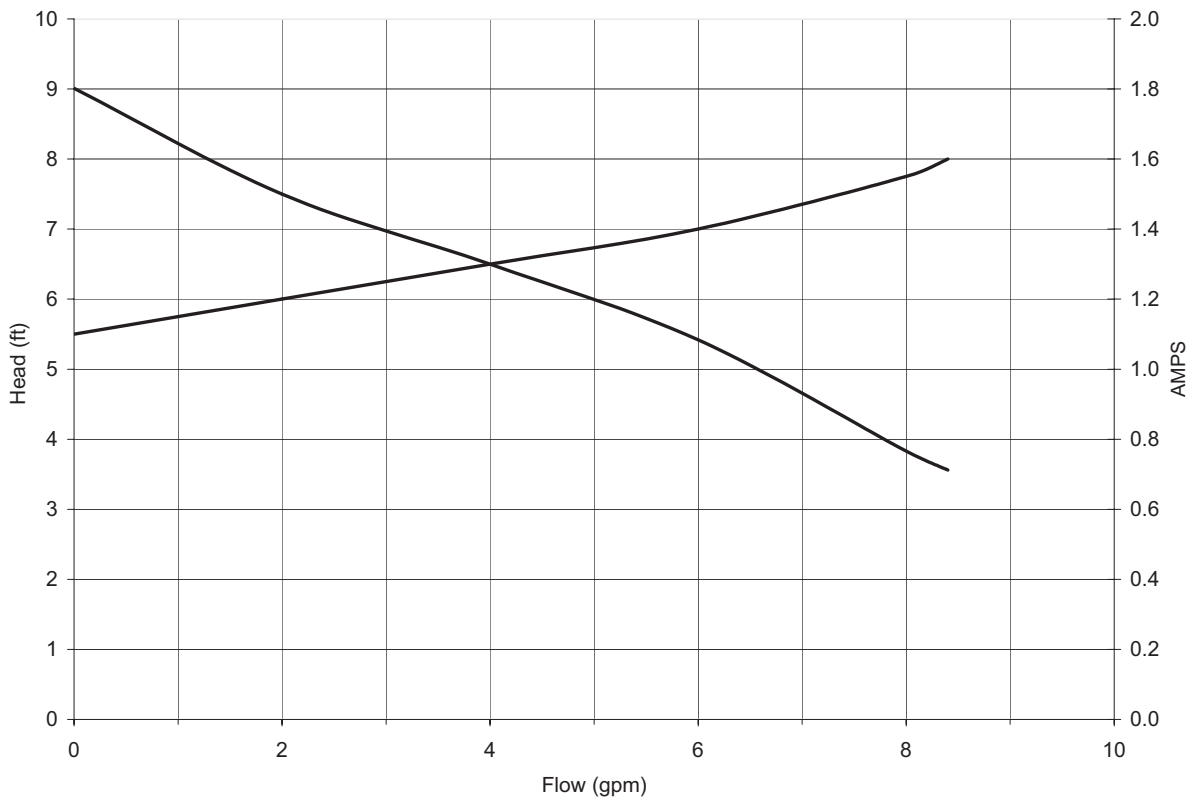
FRX 100



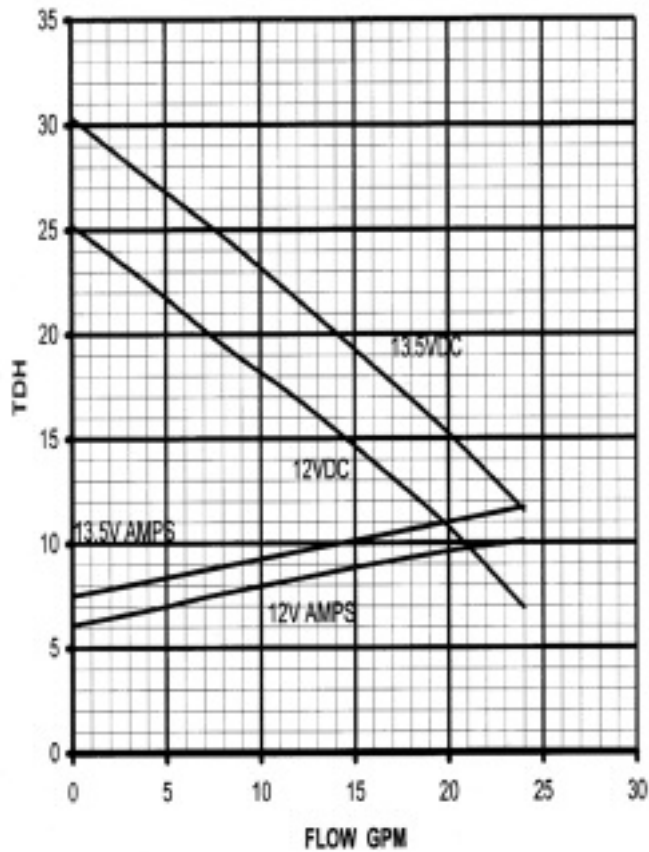
FRX 125

FRX 50 & FRX 50-R Performance Curves

FRX 50 PUMP
 1/2" NPT X 1/2" NPT
 12VDC MOTOR
 FOR 24VDC MOTOR DIVIDE AMPS BY TWO

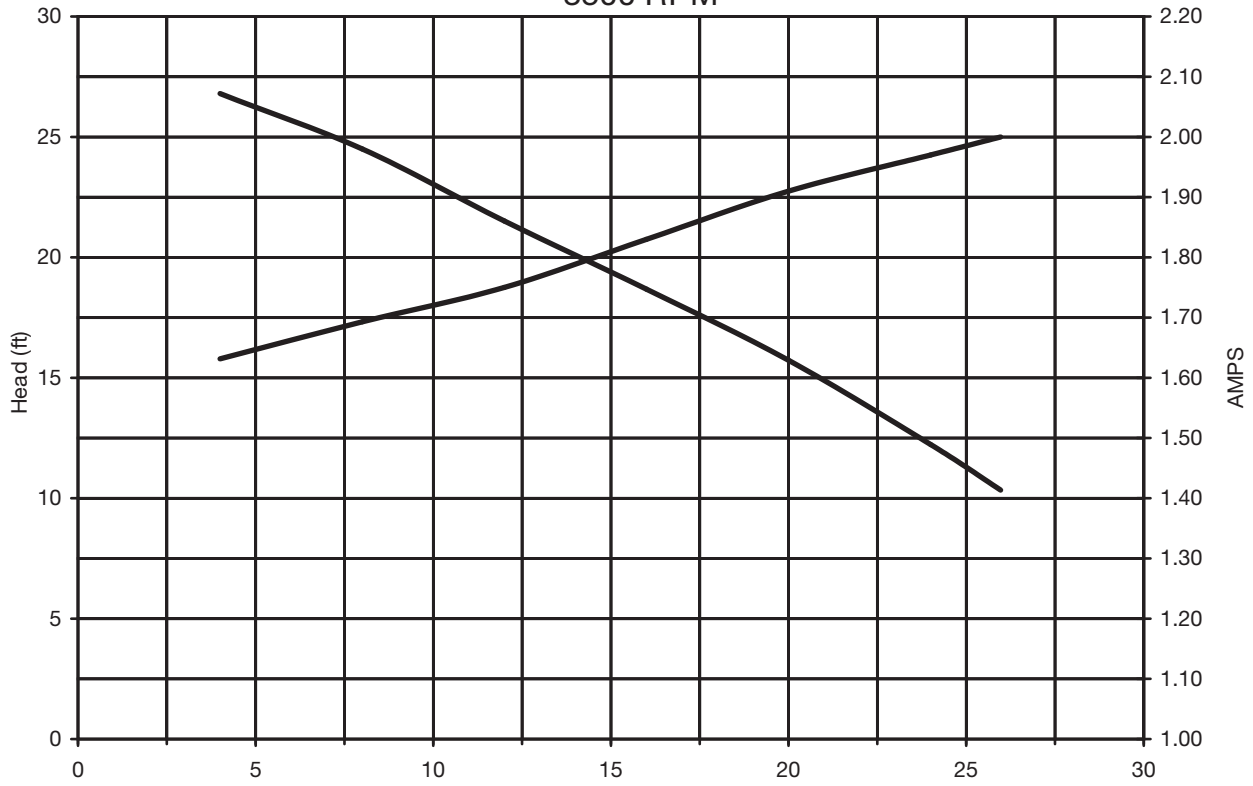


FRX 75 12 or 24V Performance Curves

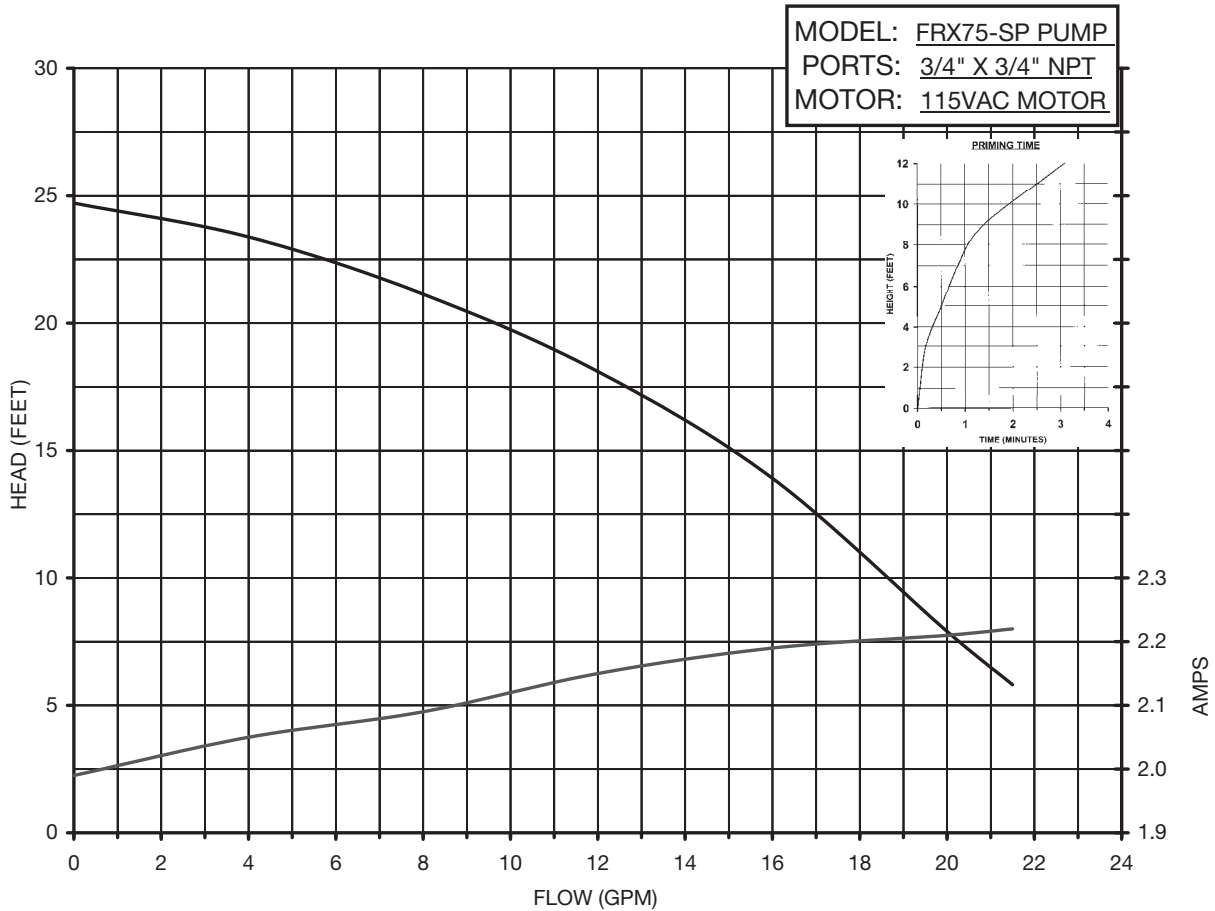


FRX 75 115V Performance Curves

FRX 75 PUMP PSC MOTOR
 3/4" NPT X 3/4" NPT
 3500 RPM

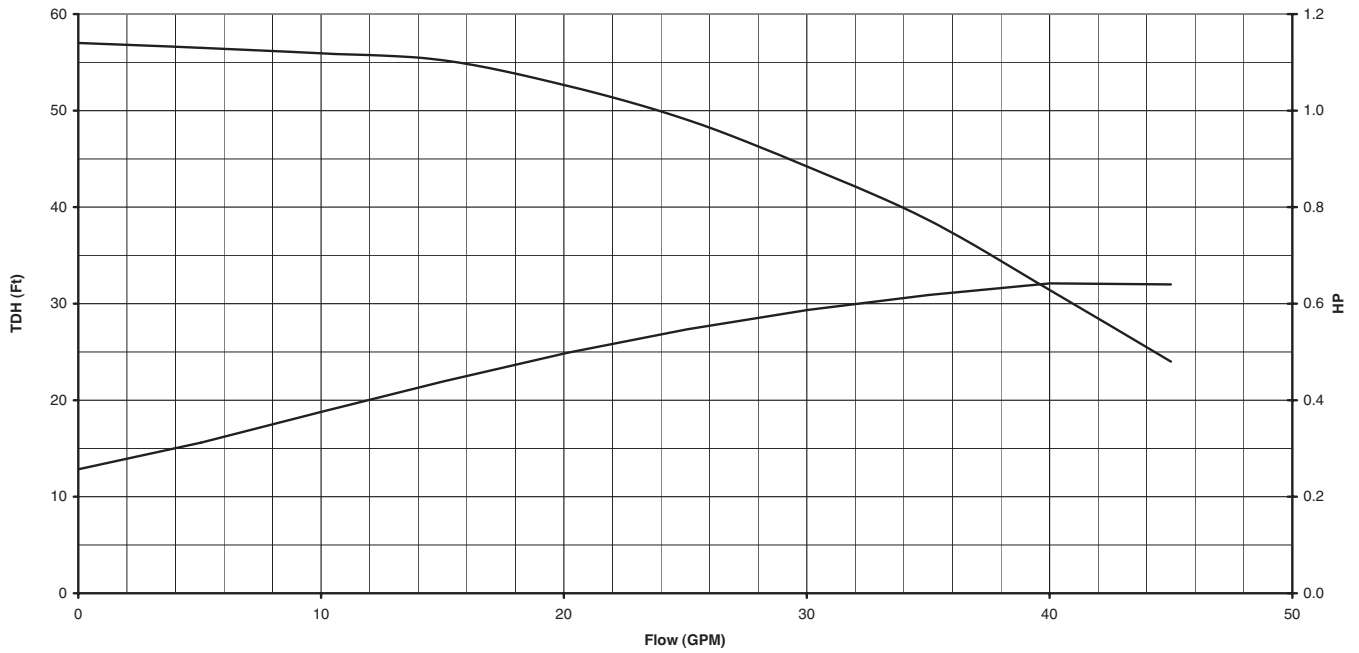


FRX 75-SP Performance Curves



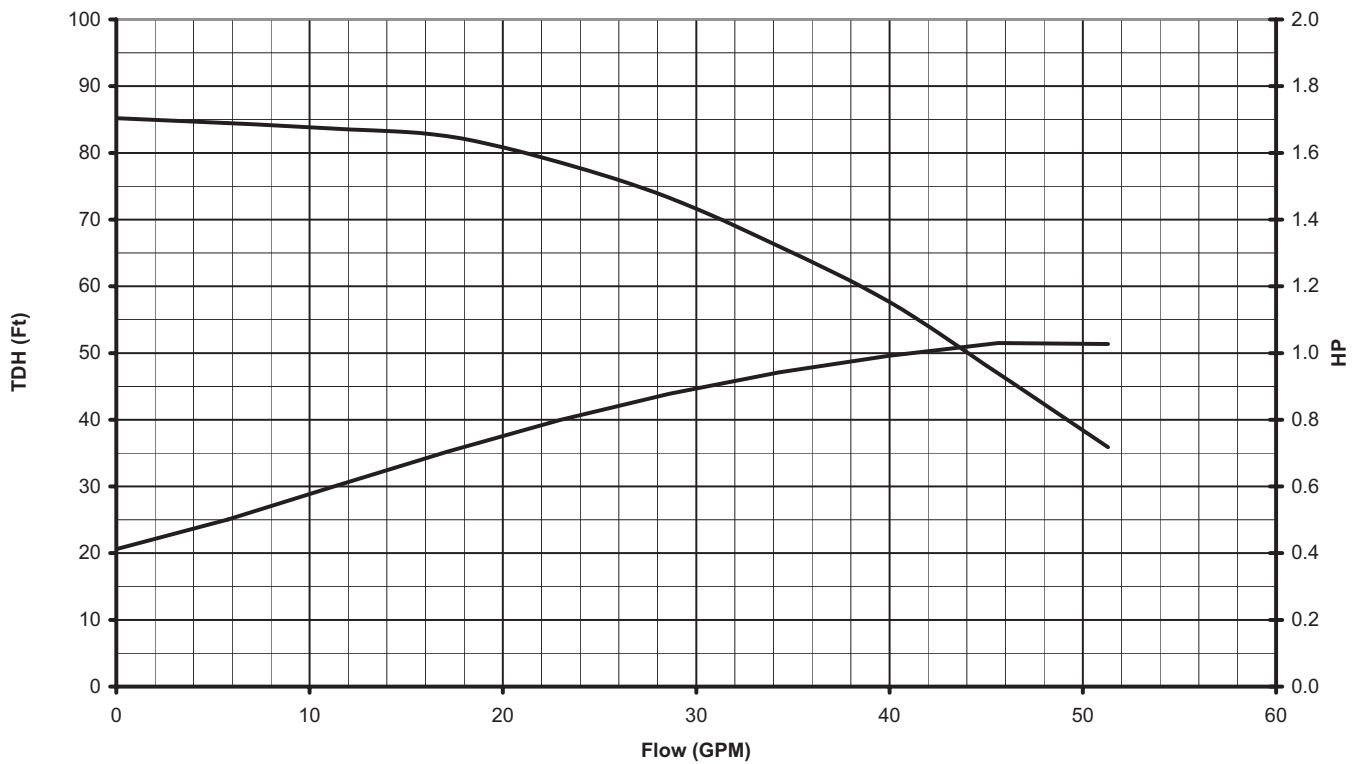
FRX 100 Performance Curves

3450 RPM
1 x 1 NPT

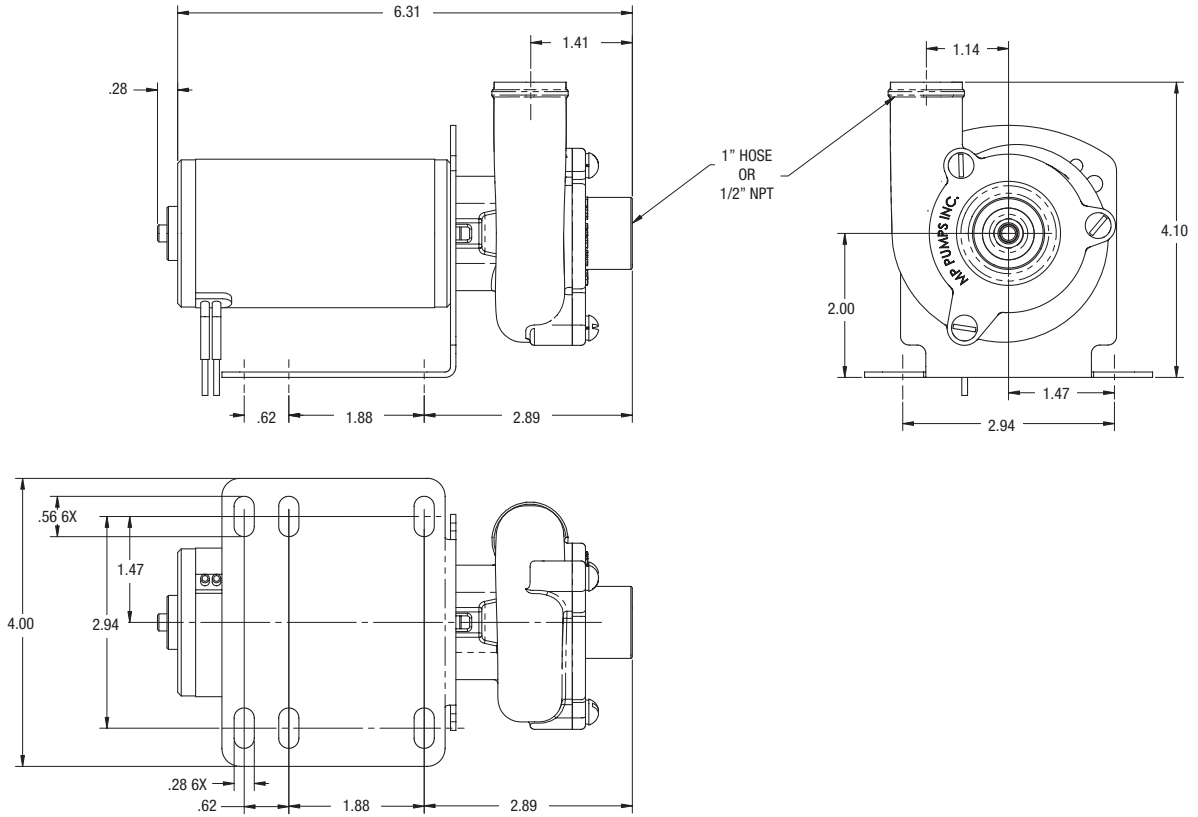


FRX 125 Performance Curves

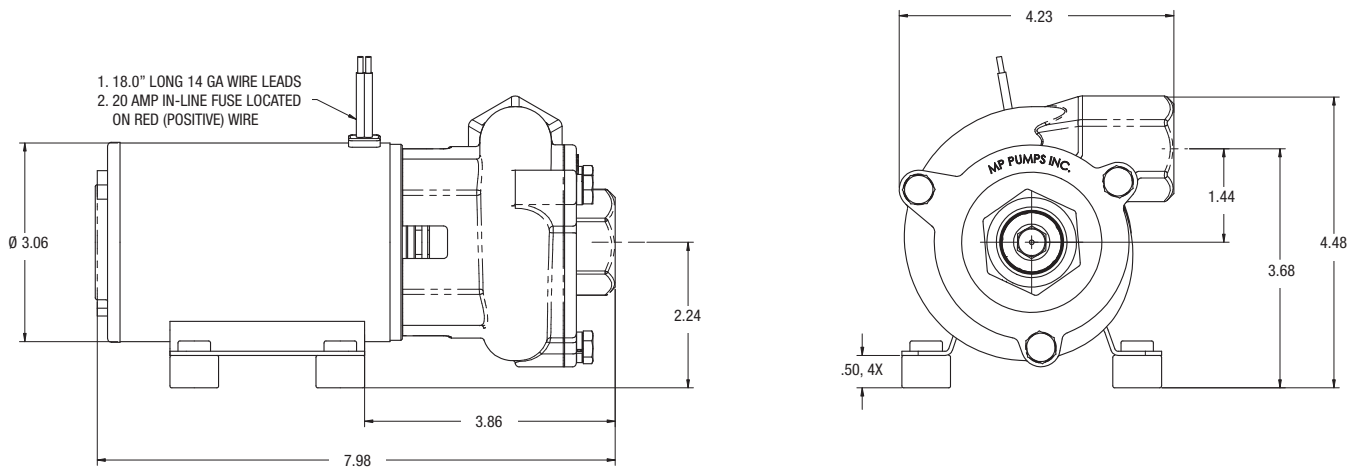
MS PUMP
1 1/4" NPT X 1" NPT
3450 RPM



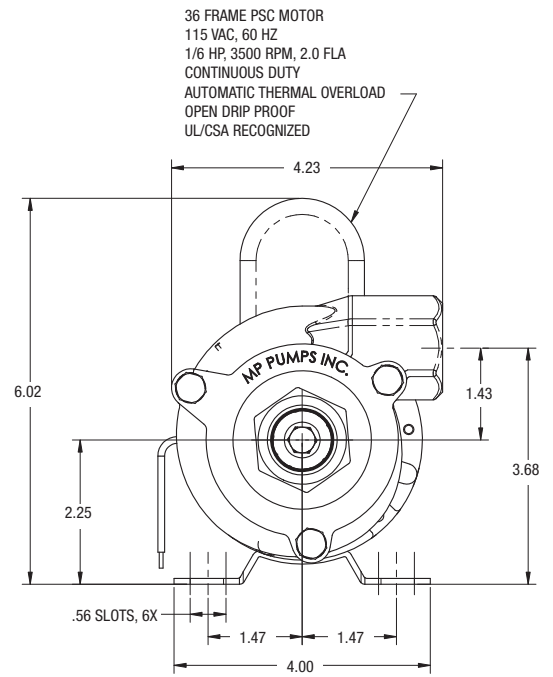
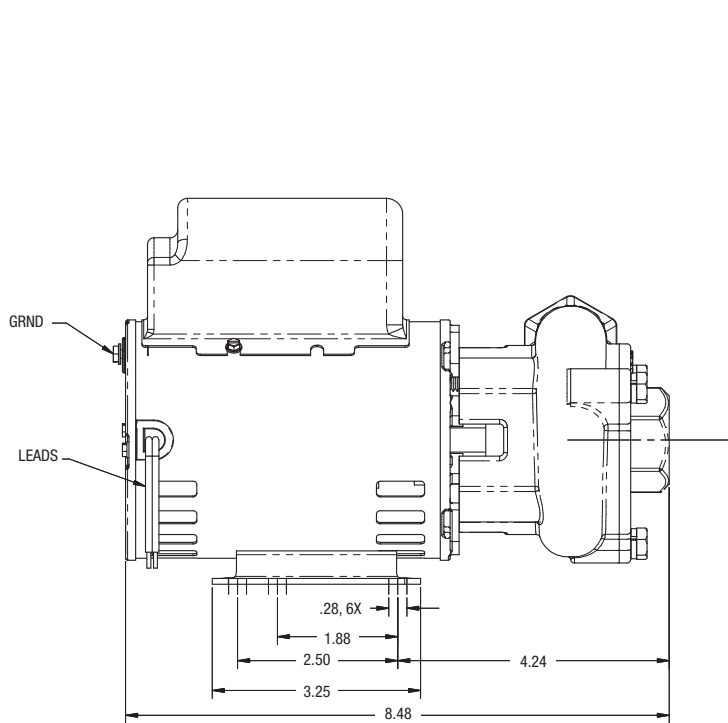
FRX 50 & FRX 50-R Dimensions



FRX 75 12 or 24V Dimensions

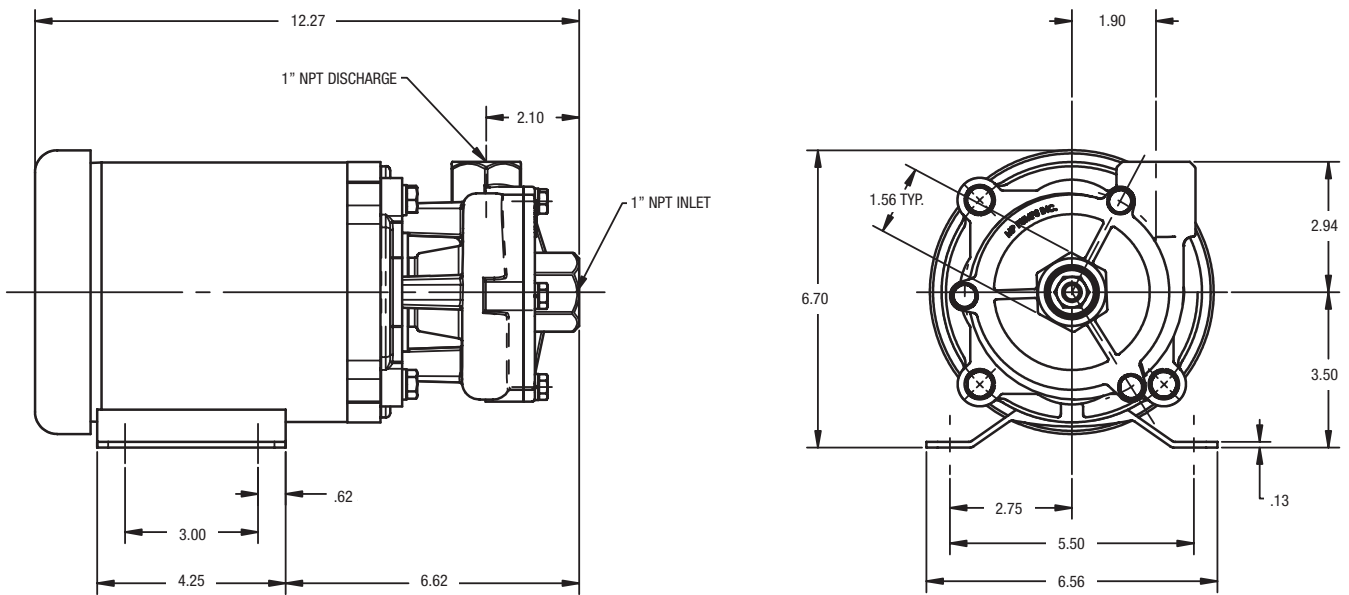


FRX 75 115V Dimensions



FRX 75-SP 12V or 24V Dimensions

FRX 100 Dimensions



FRX 125 Dimensions

