

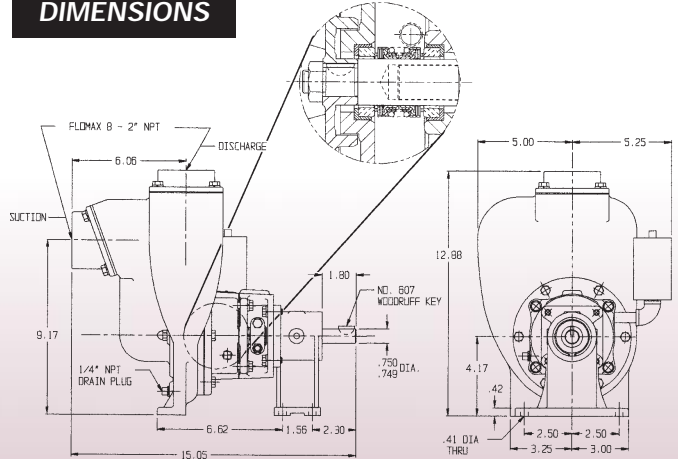
# FLOMAX 5 & 8

# SELF PRIMING CENTRIFUGAL PUMPS

## Features & Options

- 1 1/2" OR 2" DOUBLE SEAL SELF PRIMING CENTRIFUGAL PUMPS
- "C" FACE ELECTRIC MOTOR DRIVE
- PUMPAKS
- FLOWS TO 160 GPM
- PRESSURES TO 95 FEET HEAD
- RUNS DRY WITHOUT DAMAGE
- CAST IRON CONSTRUCTION FOR "C" FACE MOTOR
- SHAFT SLEEVE—316 STAINLESS STEEL
- FASTENERS—STAINLESS STEEL
- SEALS—DOUBLE MECHANICAL WITH BARRIER FLUID CHAMBER
- OPTIONS: —ENGINE DRIVES  
—PEDESTAL MODELS  
—HYDRAULIC DRIVES  
—CLUTCHPAKS

### DIMENSIONS



### Pump Performance Curves

