

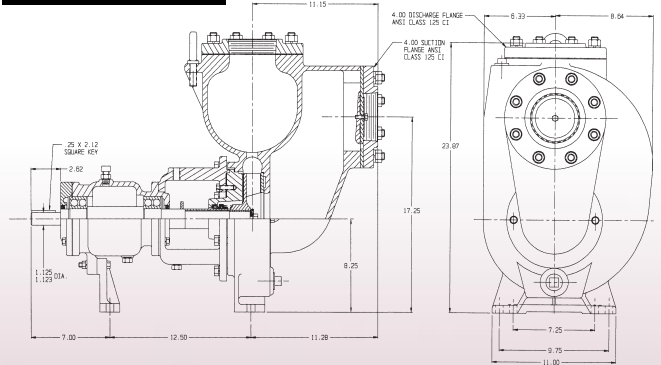
FLOMAX 40

SELF PRIMING CENTRIFUGAL PUMPS

Features & Options

- 4" X 4" SELF PRIMING CENTRIFUGAL PUMP
- PEDESTAL PUMP FOR BELT OR DIRECT DRIVE
- CAST IRON CONSTRUCTION
- SEALED BEARINGS
- MECHANICAL SEAL
- 125 PSI FLANGES
- FLOWS TO 750 GPM
- PRESSURES TO 230 FEET HEAD
- WITH OR WITHOUT ELECTRIC MOTOR
- IMPELLER—CAST IRON (SEMI-OPEN)
- SHAFT SLEEVE—304 STAINLESS STEEL
- FASTENERS—STAINLESS STEEL
- SEALS—STANDARD VITON, OPTIONAL SEALS AVAILABLE (CONSULT FACTORY)
- OPTIONS: —STAINLESS STEEL IMPELLER
—STAINLESS STEEL WEARPLATE

DIMENSIONS



Pump Performance Curves

