

Introducing The New EMAX



EMAX PUMP

2" x 2"

Perfect Blend of Economy and Performance

Heavy Duty All Cast Iron Construction

- Shipment from Stock
- 2" NPT Threaded Ports
- General Purpose Semi-Open Impeller
- Chemical Duty Seal

PUMP SPECIFICATIONS

Seal	Carbon/Ceramic/Viton Std Options Available
Housing	Class 30 Cast Iron
Impeller	Semi-Open Cast Iron
Sleeve	303 Stainless Steel

Self-Priming Centrifugal Pump

Available:

Gas Engine

Close-Coupled

Bearing Pedestal

Hydraulic Motor Drive

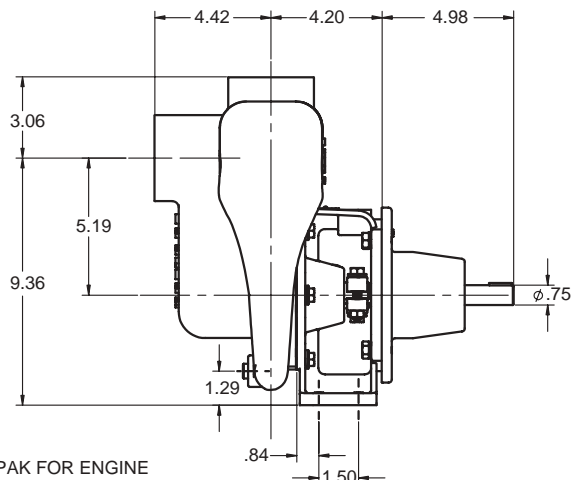


MP PUMPS, INC.
TECUMSEH PRODUCTS COMPANY
 34800 BENNETT DRIVE • FRASER, MI 48026-1686
 (586) 293-8240 • FAX (586) 293-8469
 (800) 563-8006

www.mppumps.com

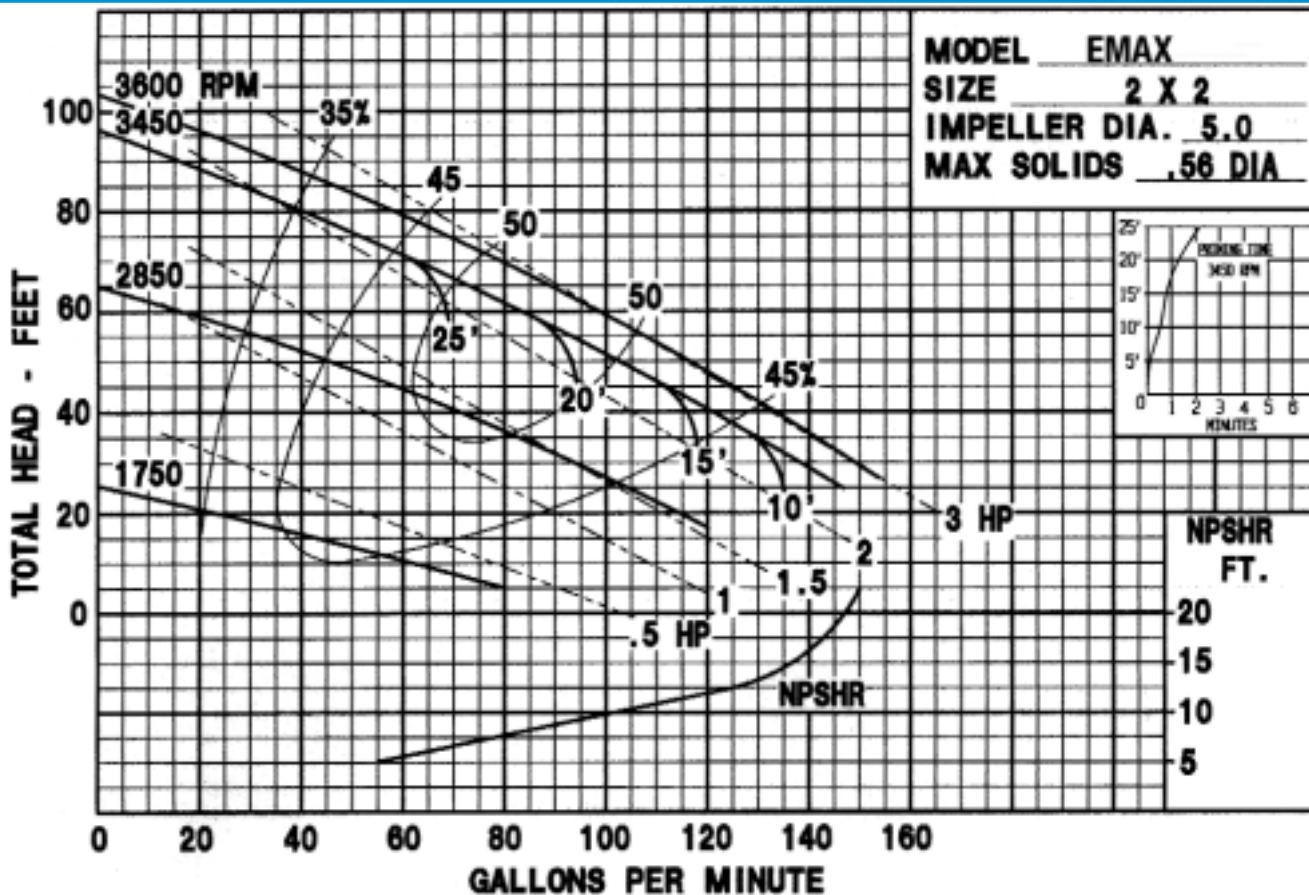
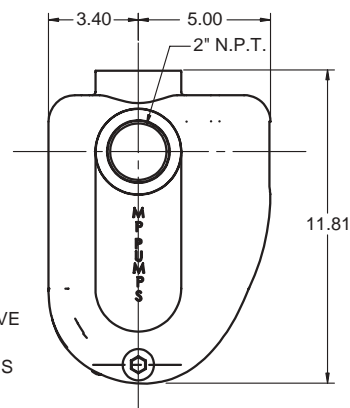
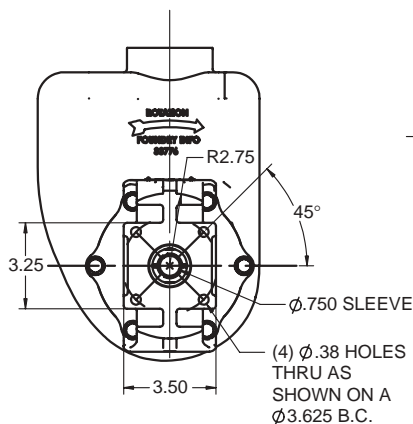
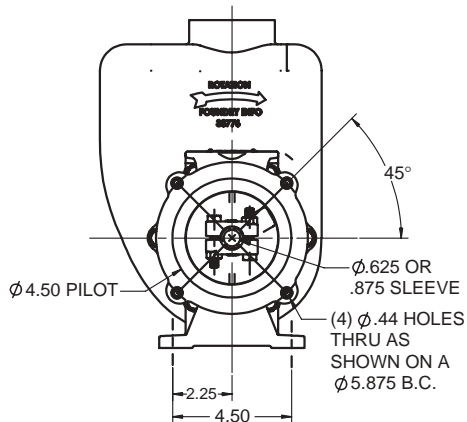
EMAX 2" x 2" SELF-PRIMING

ALL DIMENSIONS IN INCHES



PUMPAK FOR ELECTRIC MOTOR

PUMPAK FOR ENGINE



MP PUMPS, INC.

TECUMSEH PRODUCTS COMPANY
 34800 BENNETT DRIVE • FRASER, MI 48026-1686
 (586) 293-8240 • FAX (586) 293-8469
 (800) 563-8006

www.mppumps.com