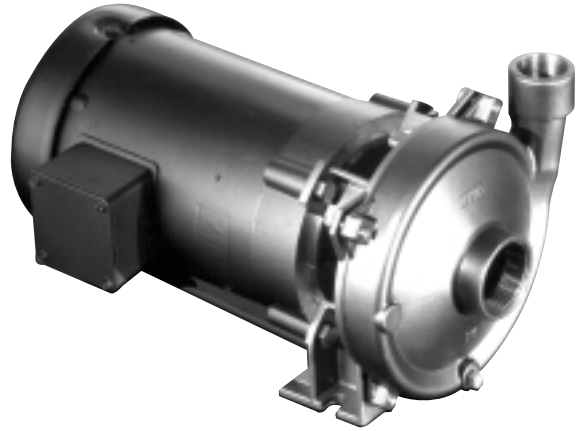


# CHEMFLO 1 2 3 4

## END SUCTION CENTRIFUGAL PUMP FEATURES

- CHEMFLO 1,2,3 & 4 - INVESTMENT-CAST, 316 STAINLESS STEEL IS STRONGER THAN STAMPED/FORMED 304  
CHEMFLO 5,6,7 & 8 - 316 CF8M STAINLESS STEEL HOUSING, SEAL HOUSING & IMPELLER
- PRESSURES - 105-225 FEET HEAD
- FLOWS - 100-450 GPM
- CHEMFLO 1,2,3,4 PUMPAKS FOR 56C FACE ELECTRIC MOTORS  
CHEMFLO 6,7 & 8 PUMPAKS FOR 145TC,182TC,184TC,213C,213TC,215C, 215TC ELECTRIC MOTORS
- HORSEPOWER - 1-25 HP
- EXOTIC ELASTOMERS AVAILABLE



CHEMFLO 1 & 2



CHEMFLO 3 & 4

MODEL	Suction	Discharge
CHEMFLO 1 & 2	1 1/2" NPT	1" NPT
CHEMFLO 3 & 4	2" NPT	1 1/2" NPT
CHEMFLO 5	2" ANSI 125 Flange	1 1/2" ANSI 125 Flange
CHEMFLO 6	3" ANSI 125 Flange	2" ANSI 125 Flange
CHEMFLO 7	2" ANSI 125 Flange	1" ANSI 125 Flange
CHEMFLO 8	3" ANSI 125 Flange	1 1/2" ANSI 125 Flange

# 5 6 7 8

---



**CHEMFLO 5**



**CHEMFLO 7**

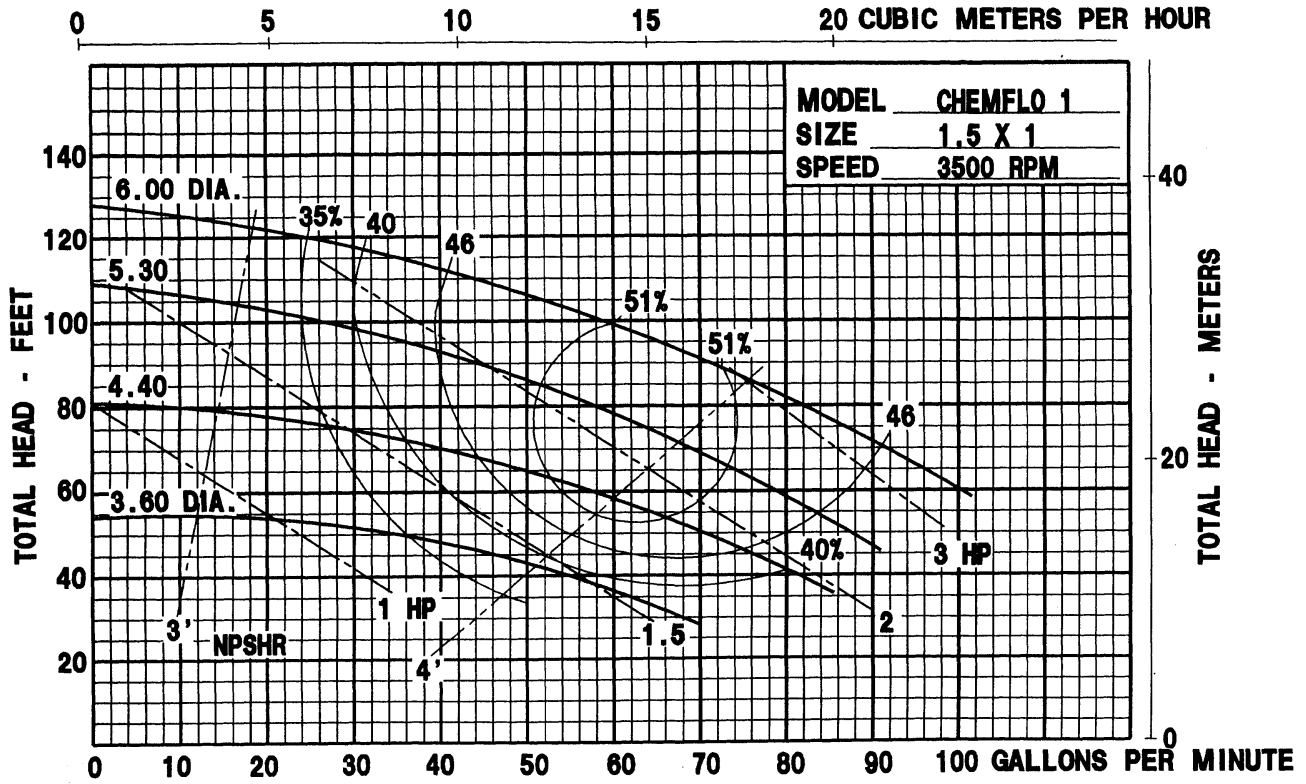


**CHEMFLO 6**

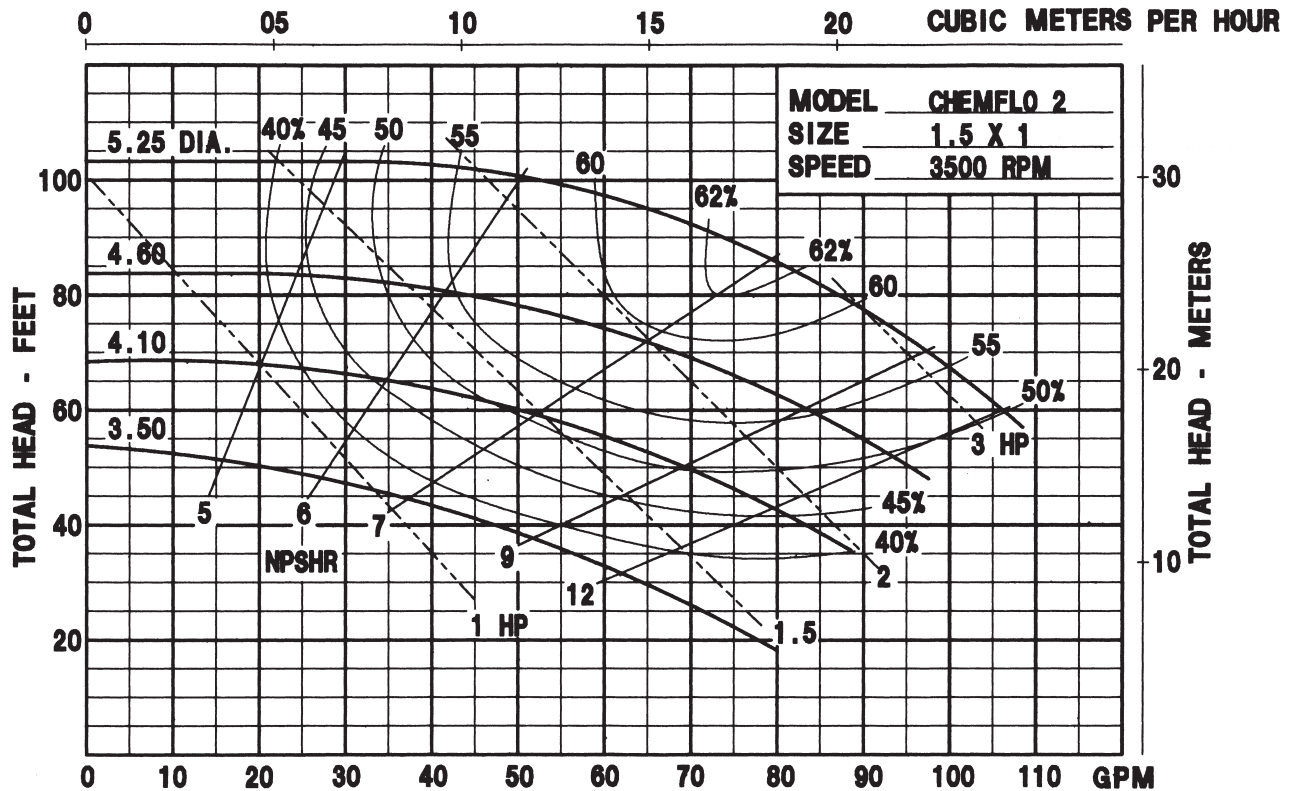


**CHEMFLO 8**

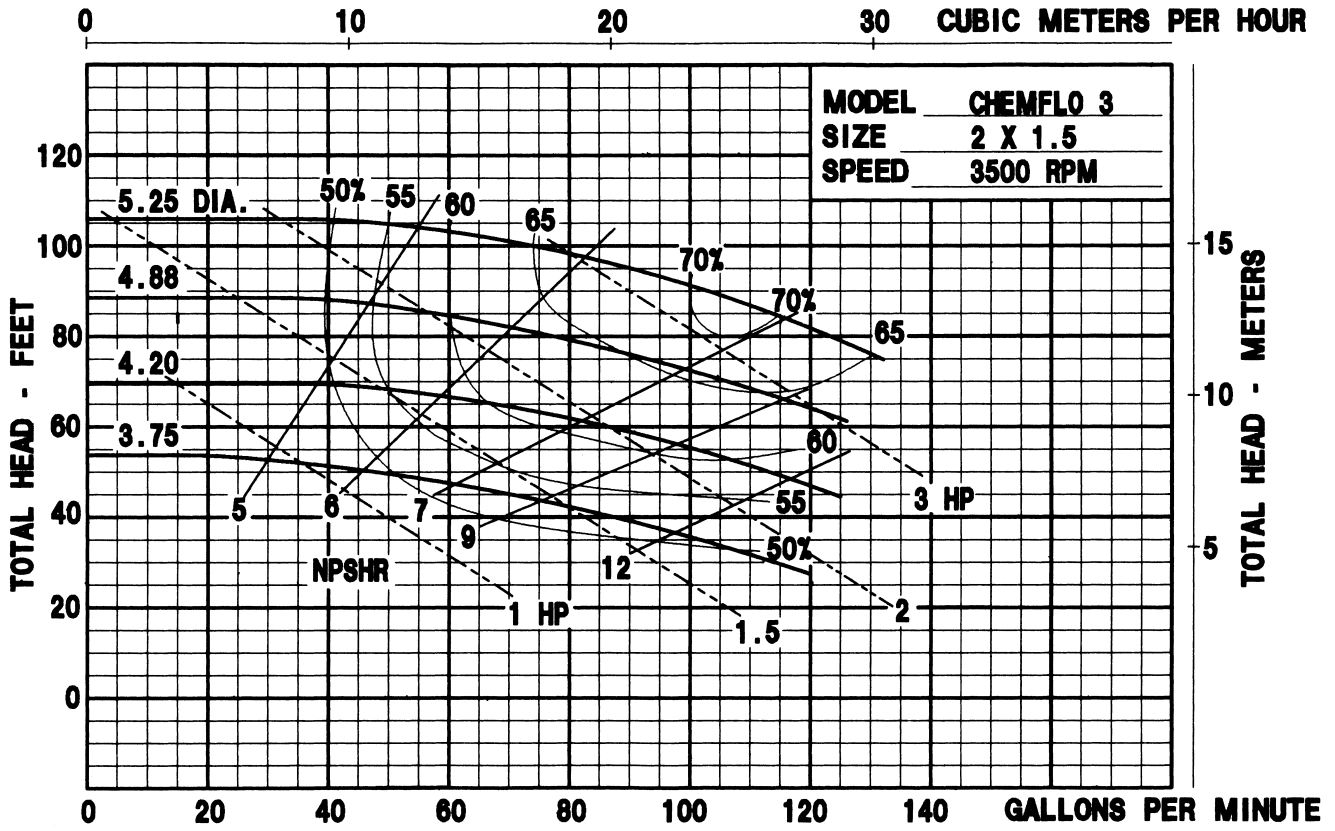
### CHEMFLO 1 Pump Performance Curves



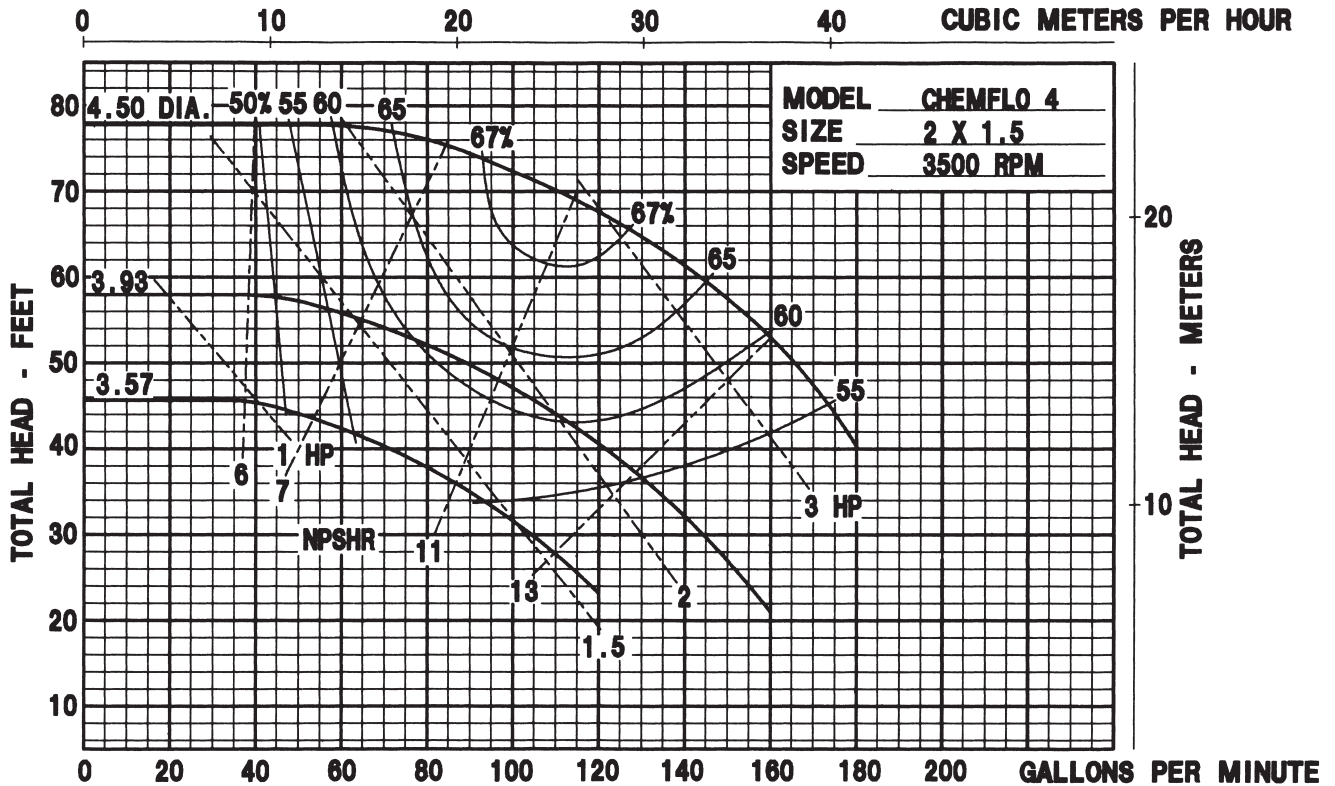
### CHEMFLO 2 Pump Performance Curves



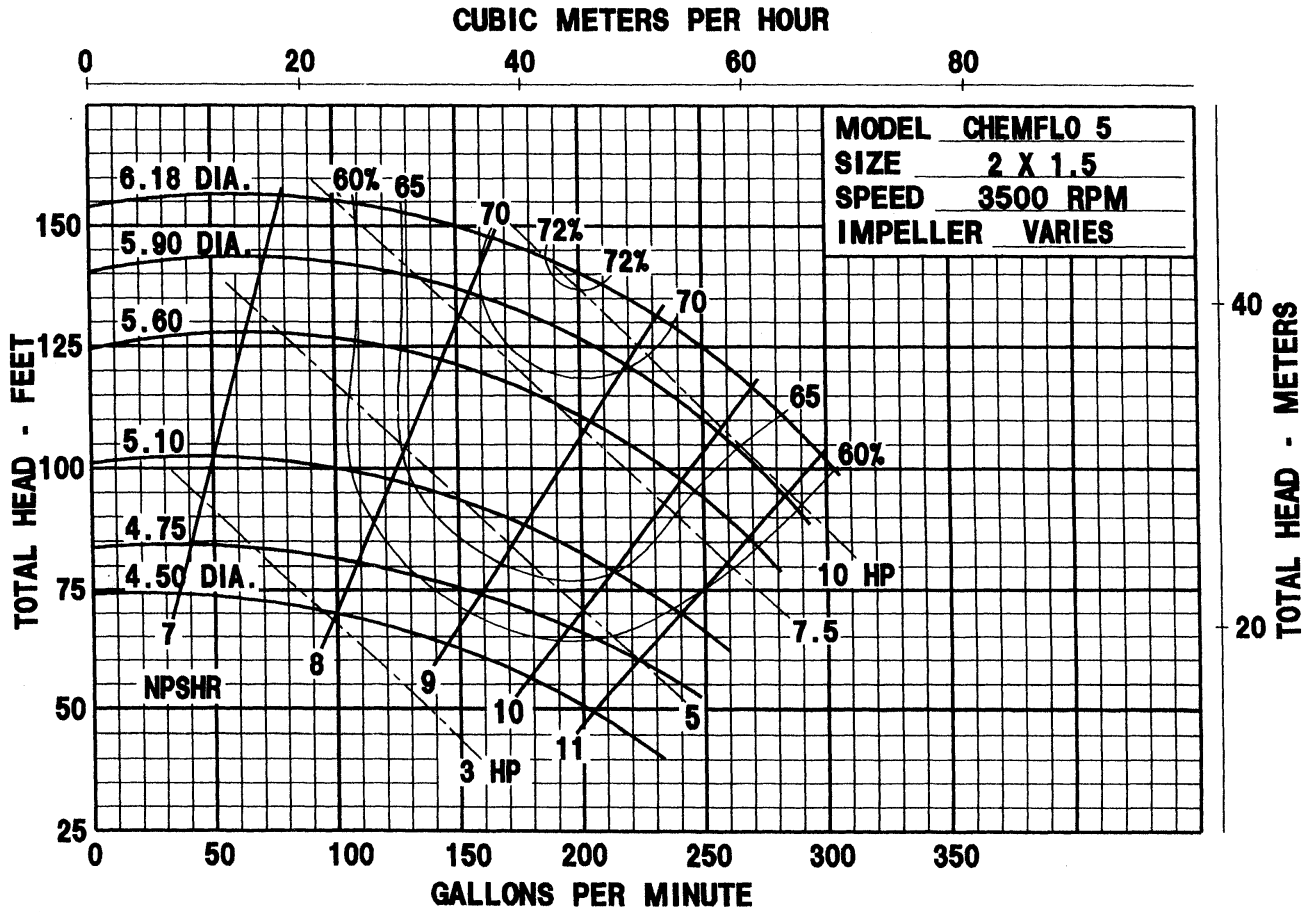
### CHEMFLO 3 Pump Performance Curves



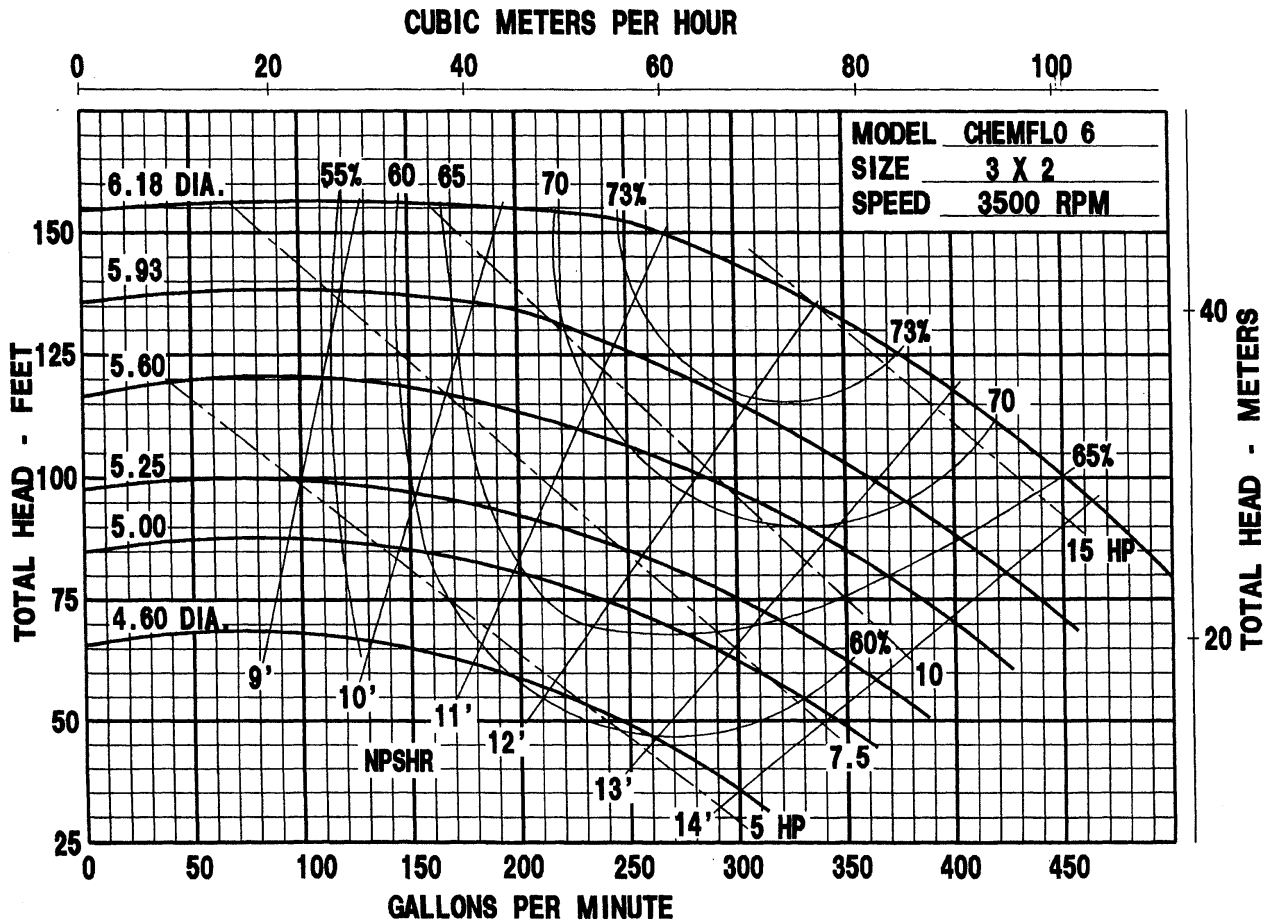
### CHEMFLO 4 Pump Performance Curves



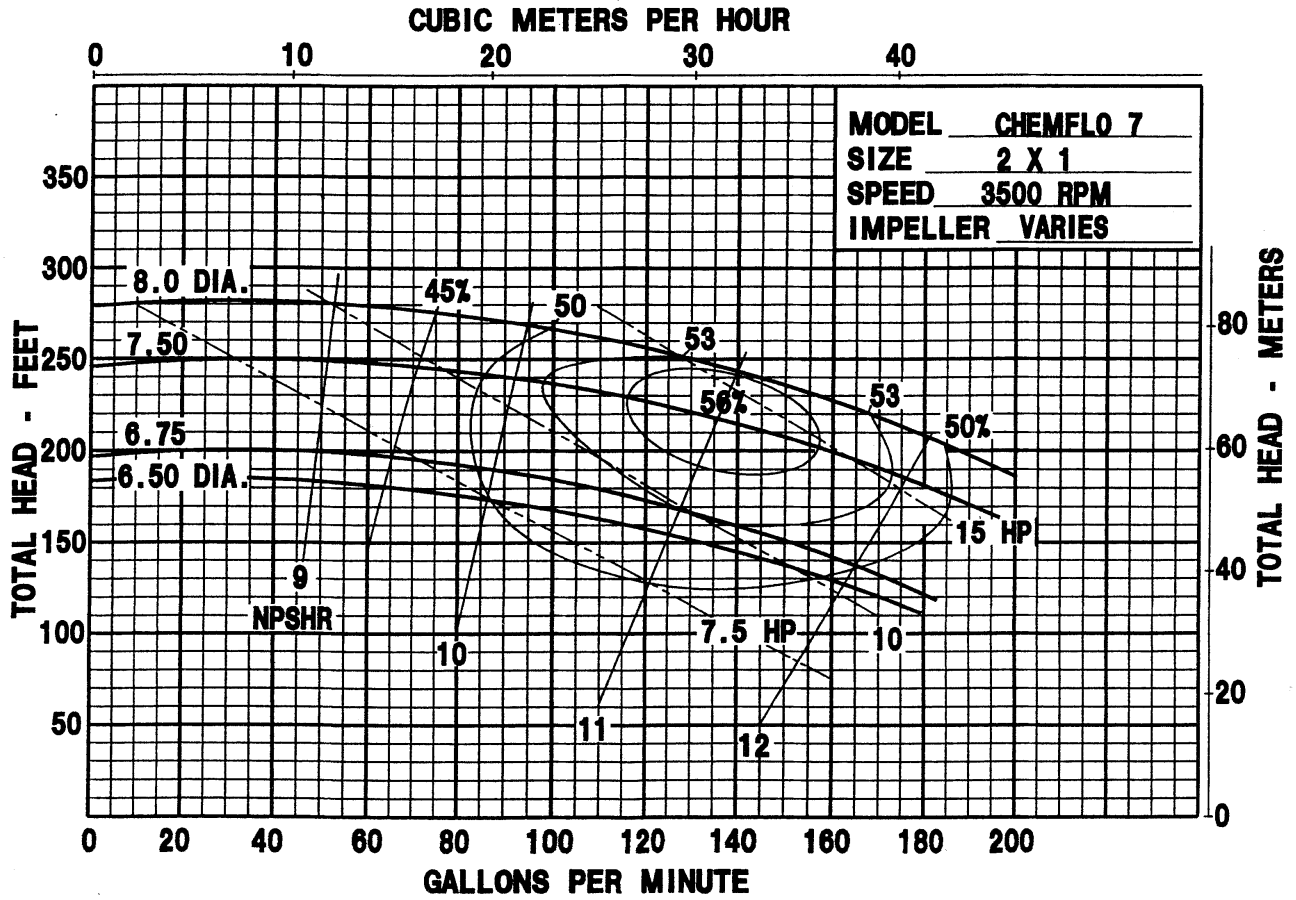
**CHEMFLO 5 Pump Performance Curves**



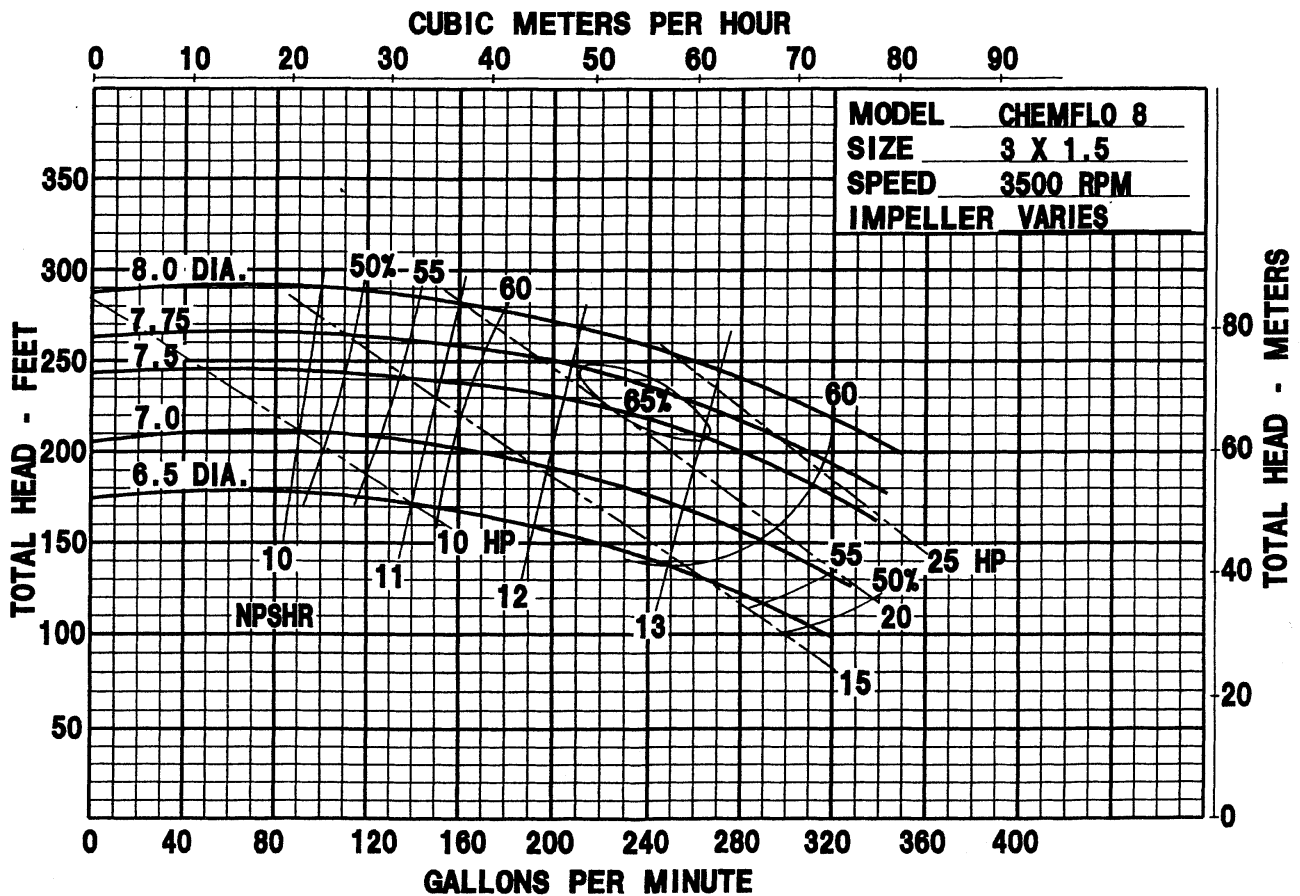
**CHEMFLO 6 Pump Performance Curves**



**CHEMFLO 7 Pump Performance Curves**

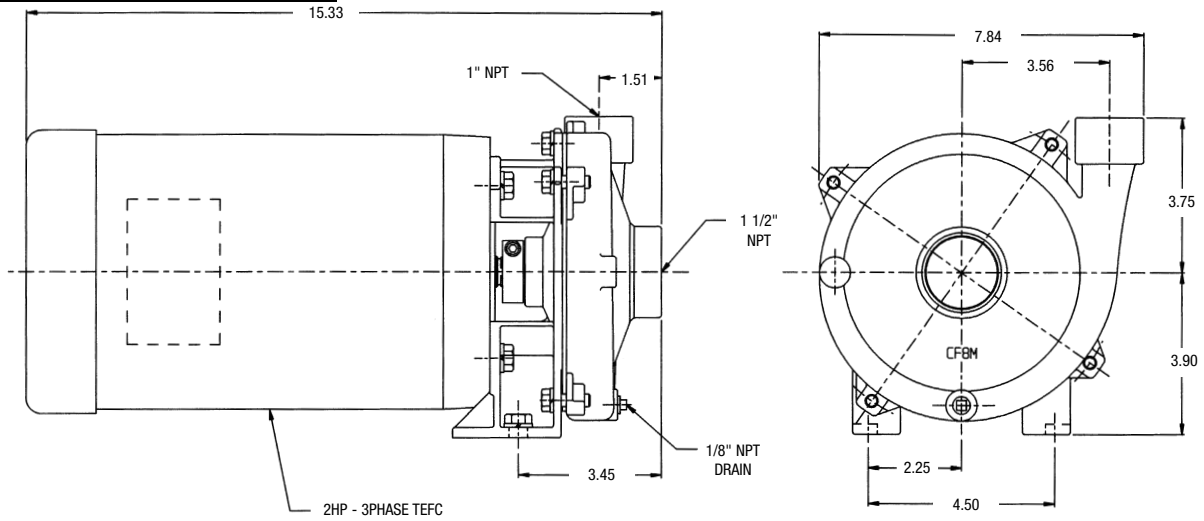


**CHEMFLO 8 Pump Performance Curves**

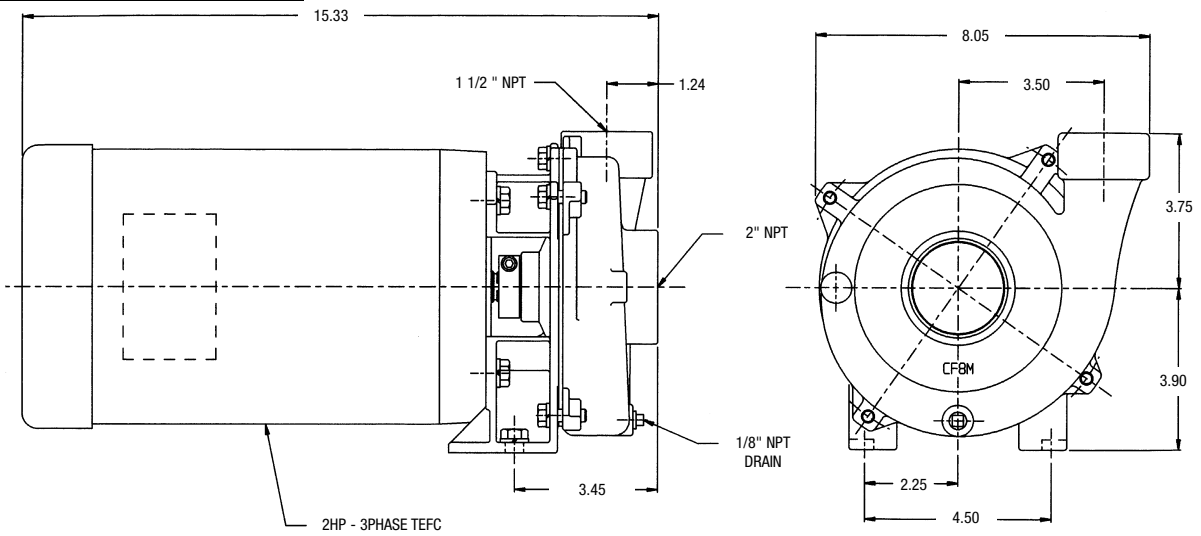


Other Performance Curves Available Upon Request

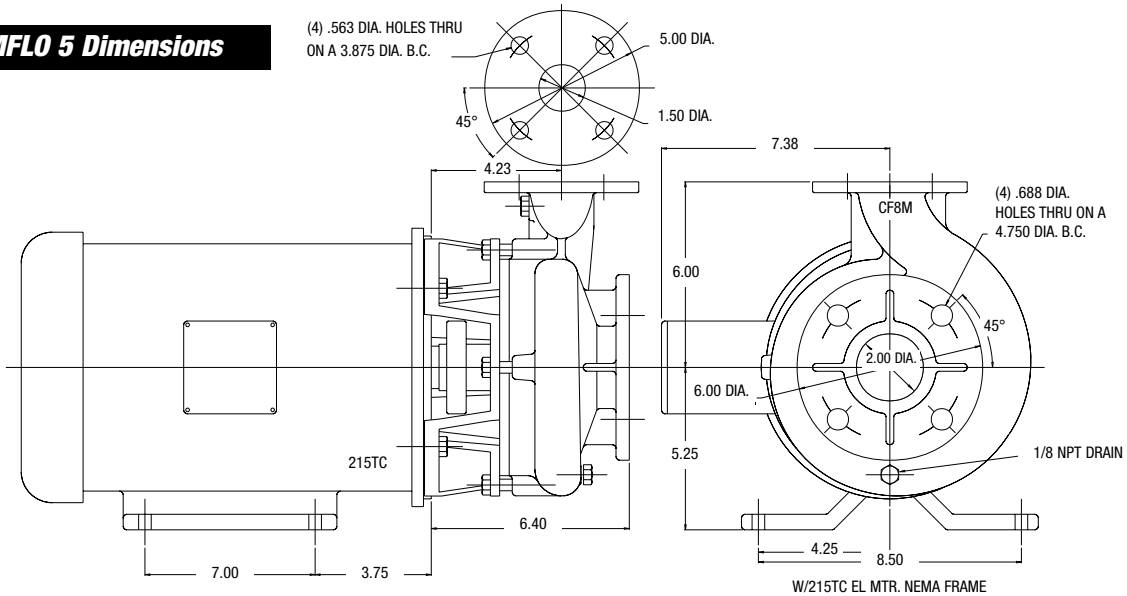
### CHEMFLO 1&2 Dimensions



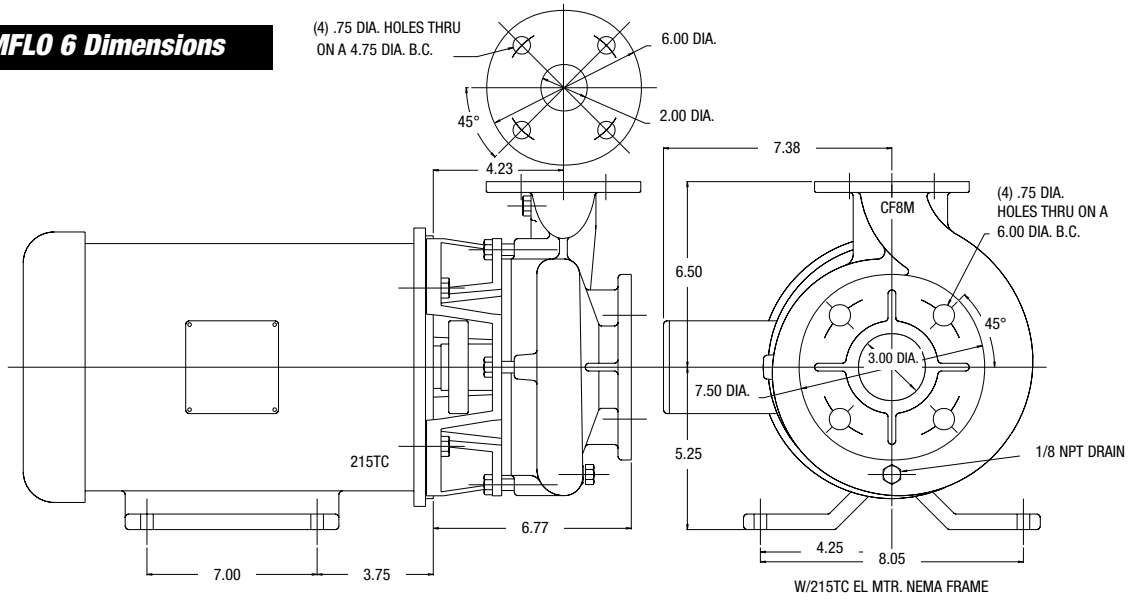
### CHEMFLO 3&4 Dimensions



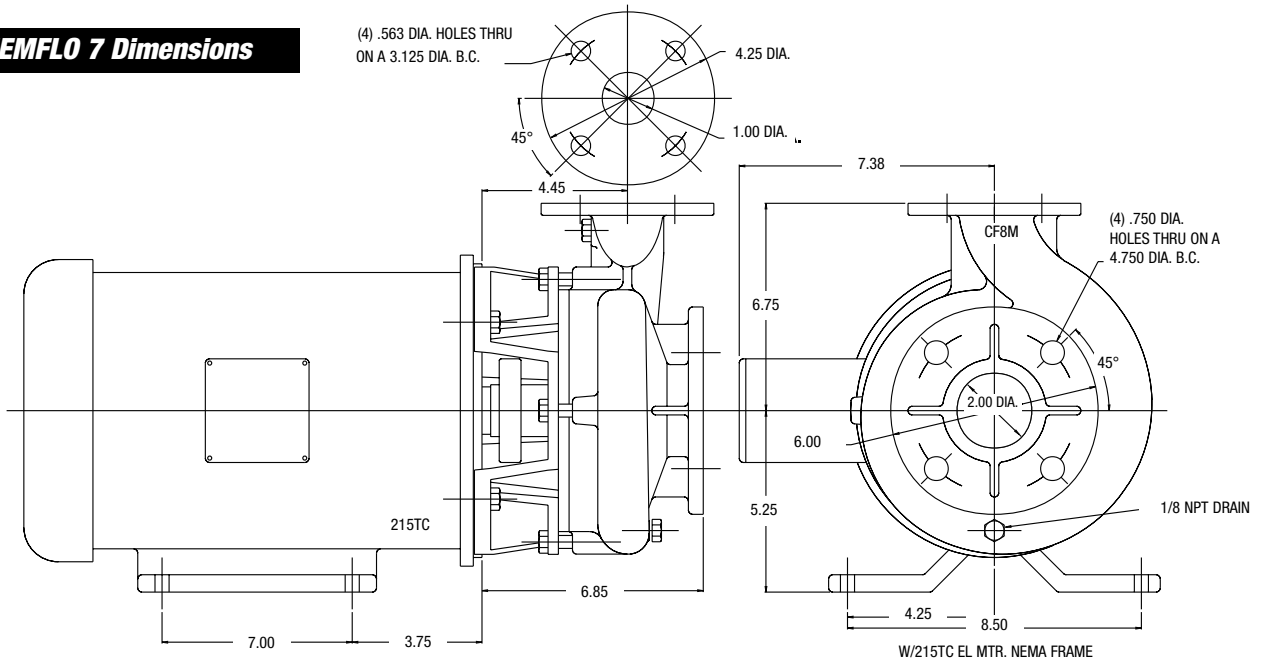
### CHEMFLO 5 Dimensions



### CHEMFLO 6 Dimensions



### CHEMFLO 7 Dimensions



### CHEMFLO 8 Dimensions

