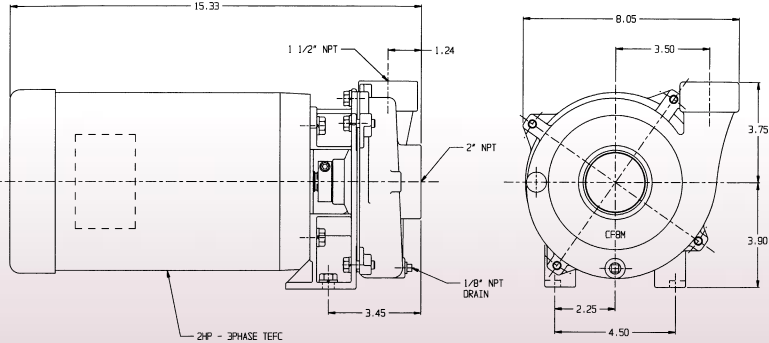


Features & Options

- INVESTMENT-CAST, 316 STAINLESS IS STRONGER THAN STAMPED/FORMED 304
Chem Flo withstands water hammer and pressure spikes, which can fracture conventional stainless pumps!
- 316 STAINLESS OFFERS MORE CORROSION RESISTANCE THAN 304, INCREASING SERVICE LIFE AND APPLICATION FLEXIBILITY, PLUS -
Chem Flo protects against extreme pH and temperature
- SIZE: 2" x 1 1/2"
- 1HP, 1.5HP, 2HP, 3HP
- FLOWS TO 180 GPM
- PRESSURES TO 105 FEET HEAD
- SEALS—VITON
- EXOTIC ELASTOMERS AVAILABLE
- PUMPAKS FOR 56C-FACE ELECTRIC MOTORS
- IMPELLER—316 STAINLESS STEEL SEMI-OPEN
- PEDESTAL VERSIONS AVAILABLE

DIMENSIONS



Pump Performance Curves

