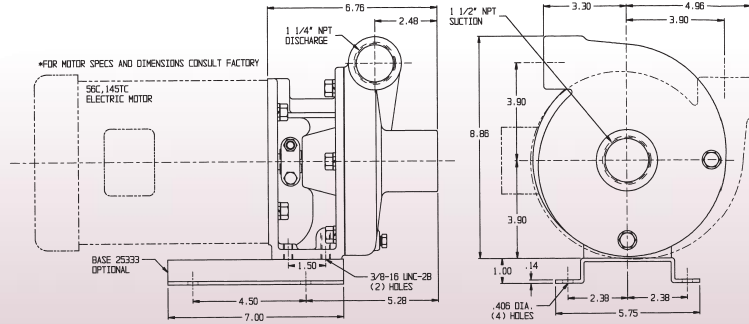


## Features & Options

- 1 1/2" X 1 1/4" CENTRIFUGAL PUMP
- CLOSE COUPLED TO ELECTRIC MOTOR
- OR PUMPAK ONLY TO MOUNT TO STANDARD NEMA "C" FACE MOTOR 1.5HP, 2HP, 3HP
- FLOWS TO 80 GPM
- PRESSURES TO 140 FEET HEAD
- AVAILABLE IN: CAST IRON OR BRONZE CONSTRUCTION
- VERTICAL OR HORIZONTAL DISCHARGE
- WITH OR WITHOUT ELECTRIC MOTOR
- IMPELLER—BRONZE ENCLOSED (CAST IRON—OPTIONAL)
- SHAFT SLEEVE—STAINLESS STEEL TO FIT EITHER 5/8" OR 7/8" SHAFTS
- FASTENERS—STAINLESS STEEL
- SEALS—STANDARD VITON, OPTIONAL SEALS AVAILABLE (CONSULT FACTORY)
- OPTIONS: —ENGINE DRIVES  
—PEDESTAL MODELS  
—HYDRAULIC DRIVES  
—CLUTCHPAKS

### DIMENSIONS



### Pump Performance Curves

