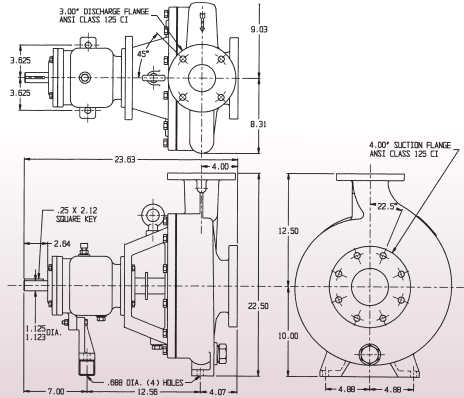


Features & Options

- 4" X 3" X 13" CENTRIFUGAL PUMP
- PEDESTAL ANSI A-40 PUMP FOR BELT OR DIRECT DRIVE
- FLOWS TO 800 GPM
- PRESSURES TO 170 FEET HEAD
- AVAILABLE IN: DUCTILE IRON CONSTRUCTION
- STAINLESS STEEL FITTED
- IMPELLER—DUCTILE IRON— ENCLOSED
- FASTENERS—STAINLESS STEEL
- SEALS—STANDARD VITON, OPTIONAL SEALS AVAILABLE (CONSULT FACTORY)
- BEARINGS—DOUBLE ROW—OIL LUBRICATED
- SHAFT—STEEL OR 316 STAINLESS STEEL
- SHAFT SLEEVE—STAINLESS STEEL

DIMENSIONS



Pump Performance Curves

