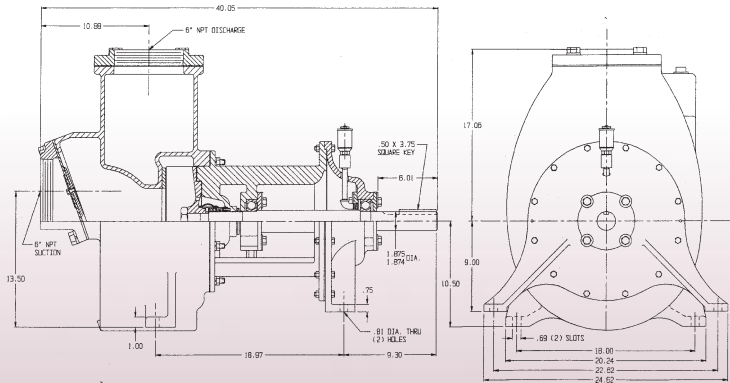


Features & Options

- 6" X 6" SELF PRIMING CENTRIFUGAL PUMP
- ELECTRIC MOTOR DRIVE
- STAINLESS STEEL CUTWATER
- FLOWS TO 1400 GPM
- PRESSURES TO 100 FEET HEAD
- CAST IRON CONSTRUCTION
- REPLACEABLE FLANGES
- IMPELLER—DUCTILE IRON, 3 VANE SEMI-OPEN NON-CLOG DESIGN MAXIMUM 2⁷/₁₆" DIAMETER SOLIDS
- BEARING PEDESTAL—CAST IRON WITH REGREASABLE BALL BEARINGS
- PUMP SHAFT—HIGH STRENGTH PRECISION GROUND ALLOY STEEL
- SEALS—JAEGER "LUBRI-SEAL" MECHANICAL SEAL WITH HARDENED STAINLESS SEAT AGAINST BRONZE FACE (GREASE LUBRICATED)
- OPTIONS: —CARBON/CERAMIC SEALS
—TUNGSTEN CARBIDE SEALS
—ENGINE DRIVES

DIMENSIONS



Pump Performance Curves

