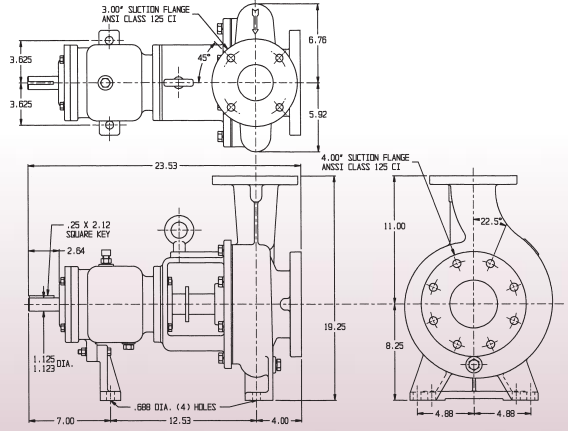


Features & Options

- 4" X 3" X 8" CENTRIFUGAL PUMP
- PEDESTAL ANSI A-70 PUMP FOR BELT OR DIRECT DRIVE
- FLOWS TO 800 GPM
- PRESSURES TO 240 FEET HEAD
- AVAILABLE IN: CAST IRON AND 316 STAINLESS STEEL
- STAINLESS STEEL FITTED (OPTIONAL)
- IMPELLER—C.I. 316 S.S.—ENCLOSED
- FASTENERS—STAINLESS STEEL
- SEALS—STANDARD VITON, OPTIONAL SEALS AVAILABLE (CONSULT FACTORY)
- BEARINGS—DOUBLE ROW—OIL LUBRICATED
- SHAFT—STEEL OR 316 STAINLESS STEEL

DIMENSIONS



Pump Performance Curves

