

4LT

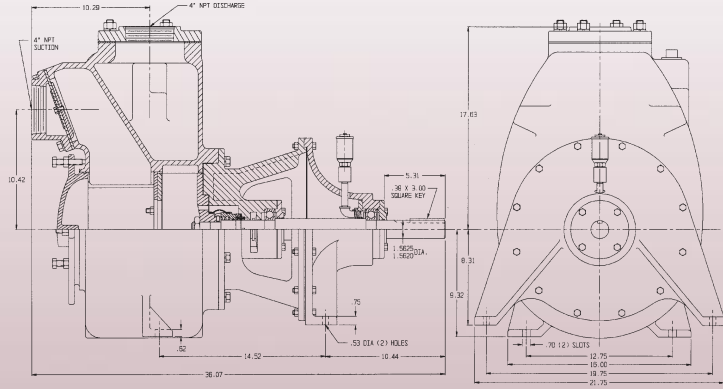
SELF PRIMING TRASH PUMPS

HOME

Features & Options

- 4" X 4" SELF PRIMING TRASH PUMP
- ELECTRIC MOTOR
- STAINLESS STEEL CUTWATER
- FLOWS TO 700 GPM
- PRESSURES TO 90 FEET HEAD
- CAST IRON CONSTRUCTION
- REPLACEABLE FLANGES
- IMPELLER—DUCTILE IRON, 2 VANE SEMI-OPEN NON-CLOG DESIGN
MAXIMUM 3" DIAMETER SOLIDS
- BEARING PEDESTAL—CAST IRON WITH REGREASABLE BALL BEARINGS
- PUMP SHAFT—HIGH STRENGTH PRECISION GROUND ALLOY STEEL
- SEALS—JAEGER "LUBRI-SEAL" MECHANICAL SEAL WITH HARDENED STAINLESS STEEL SEAT AGAINST BRONZE FACE (GREASE LUBRICATED)
- OPTIONS: —CARBON/CERAMIC SEALS
—TUNGSTEN CARBIDE SEALS
—ENGINE DRIVES

DIMENSIONS



Pump Performance Curves

