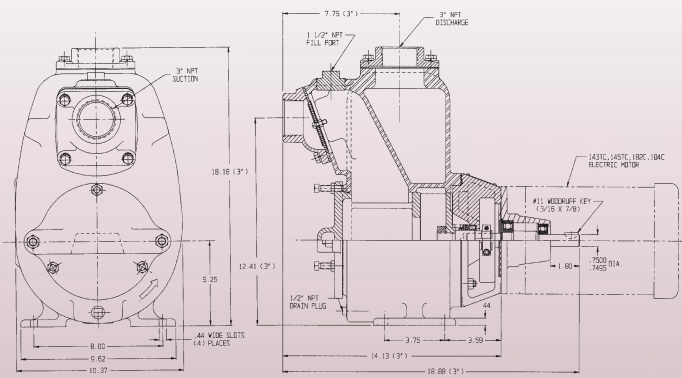


Features & Options

- 3" X 3" SELF PRIMING TRASH PUMP
- CLOSE COUPLED TO ELECTRIC MOTOR OR PEDESTAL FOR STANDARD MOTOR
- FLOWS TO 350 GPM
- PRESSURES TO 125 FEET HEAD
- CAST IRON CONSTRUCTION
- ELECTRIC MOTOR DRIVE
- IMPELLER—DUCTILE IRON
- SHAFT SLEEVE—304 STAINLESS STEEL
- FASTENERS—STAINLESS STEEL
- SEALS—CARBON/CERAMIC MECHANICAL SEAL, VITON
- OPTIONS: —ENGINE DRIVES
—HYDRAULIC DRIVES

DIMENSIONS



Pump Performance Curves

