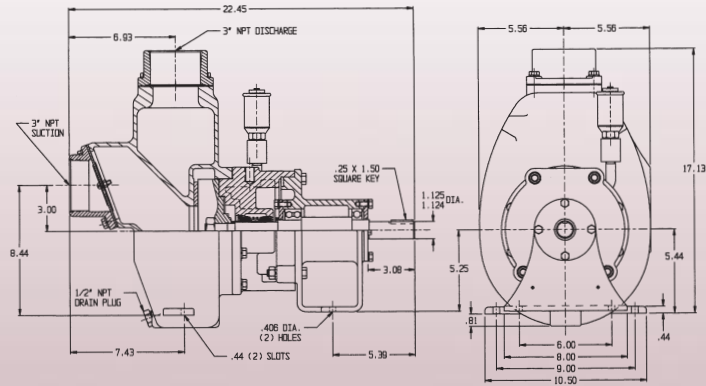


Features & Options

- 3" x 3" SELF PRIMING CENTRIFUGAL PUMP
- ELECTRIC MOTOR DRIVE
- CAST IRON CONSTRUCTION
- IMPELLER—CAST IRON 4 VANE SEMI OPEN NON-CLOG DESIGN
- SHAFT SLEEVE—304 STAINLESS STEEL
- SEALS—CARBON/CERAMIC DOUBLE MECHANICAL SEAL, GREASE LUBRICATED
- REPLACEABLE, STEEL WEAR PLATE
- STAINLESS STEEL CUTWATER
- REPLACEABLE FLANGES
- FLOWS TO 400 GPM
- PRESSURES TO 160 FEET HEAD
- BEARING PEDESTAL—CAST IRON WITH REGREASABLE BEARINGS
- OPTIONS: —ENGINE DRIVES
—PUMPAKS

DIMENSIONS



Pump Performance Curves

