

## SELF PRIMING TRASH PUMP FEATURES

- CLOSED COUPLED TO ELECTRIC MOTOR OR PEDESTAL FOR STANDARD MOTOR
- FLOW - TO 210 GPM
- PRESSURES - TO 125 FEET HEAD
- CAST IRON CONSTRUCTION
- ELECTRIC MOTOR DRIVE
- IMPELLER - DUCTILE IRON
- SHAFT SLEEVE - 304 STAINLESS STEEL
- SEALS - CARBON/CERAMIC VITON MECHANICAL SEAL
- OPTIONS:
  - ENGINE DRIVES
  - HYDRAULIC DRIVES



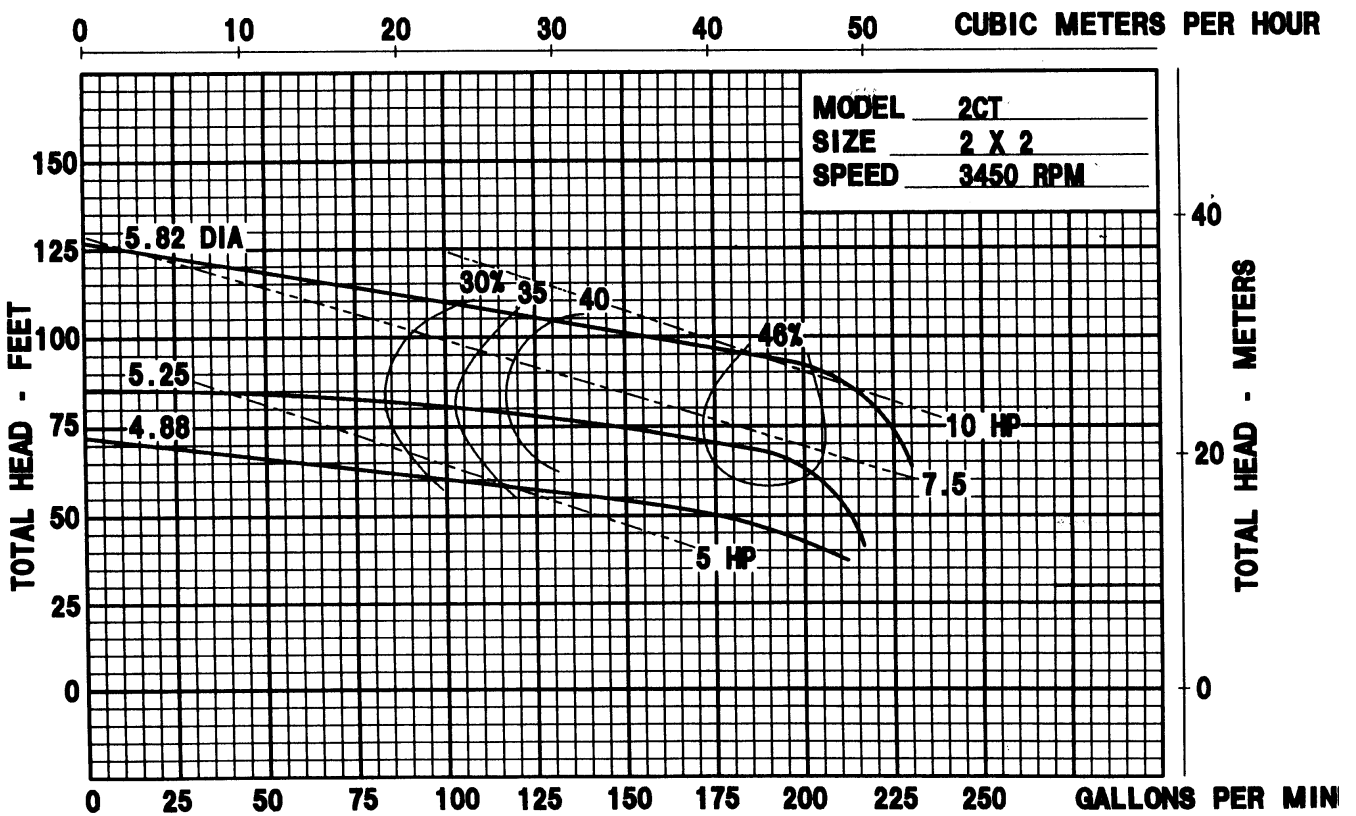
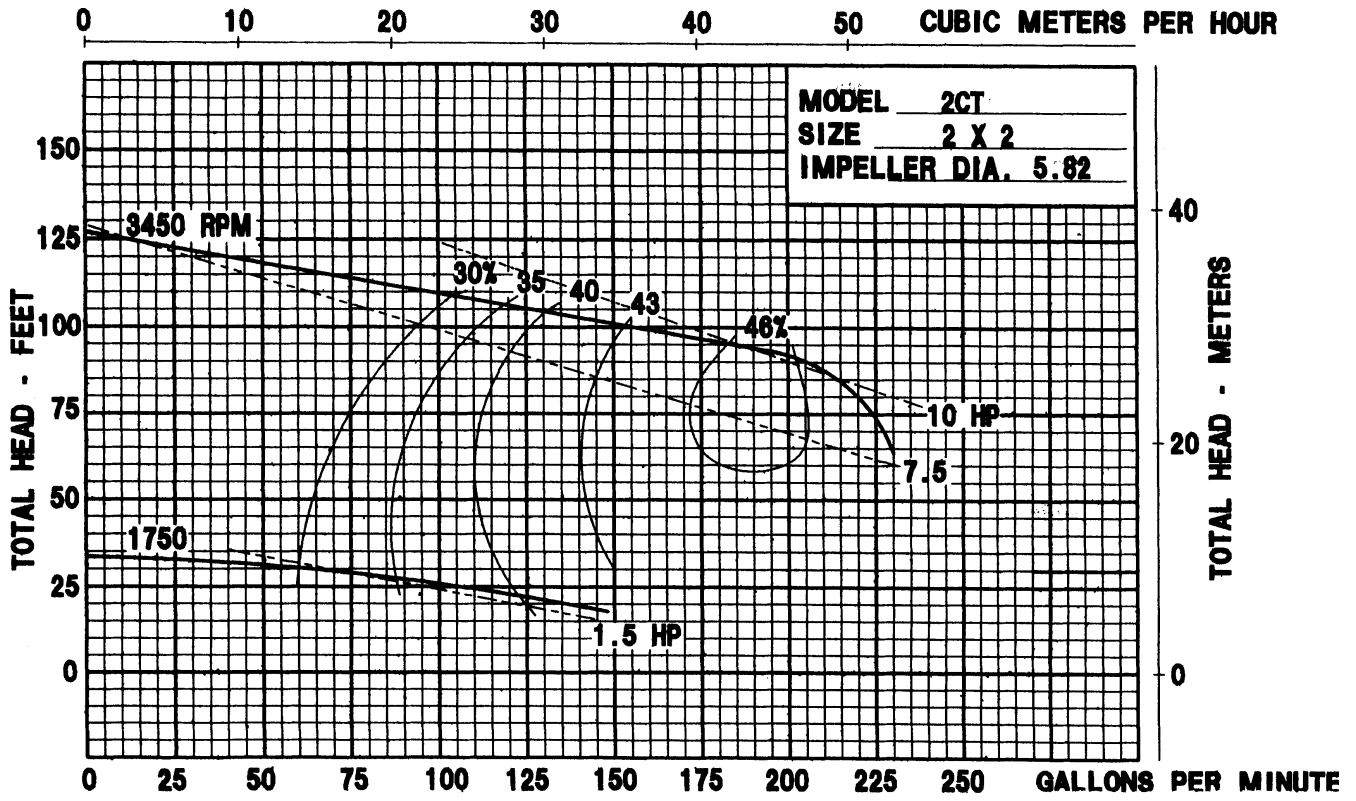
2CT

MODEL	Suction	Discharge
2CT	2" NPT	2" NPT



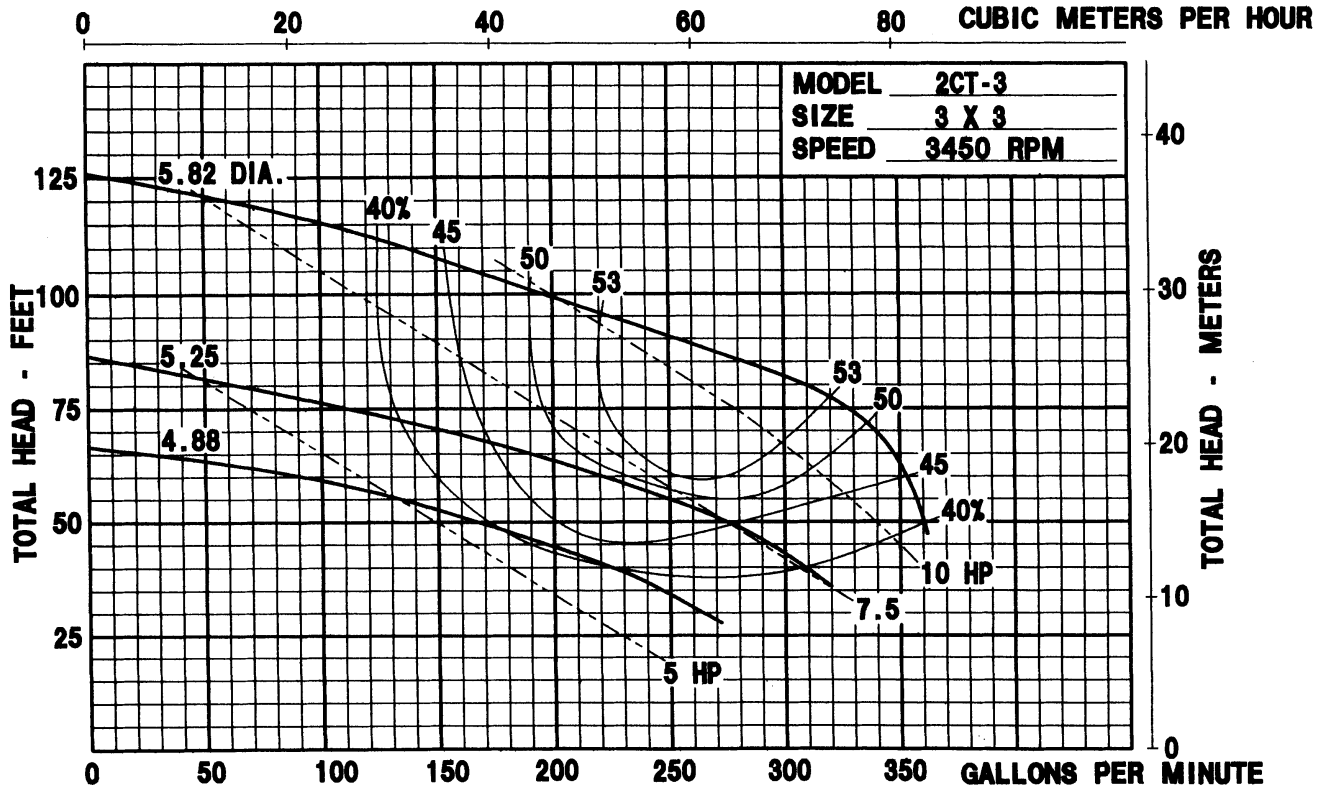
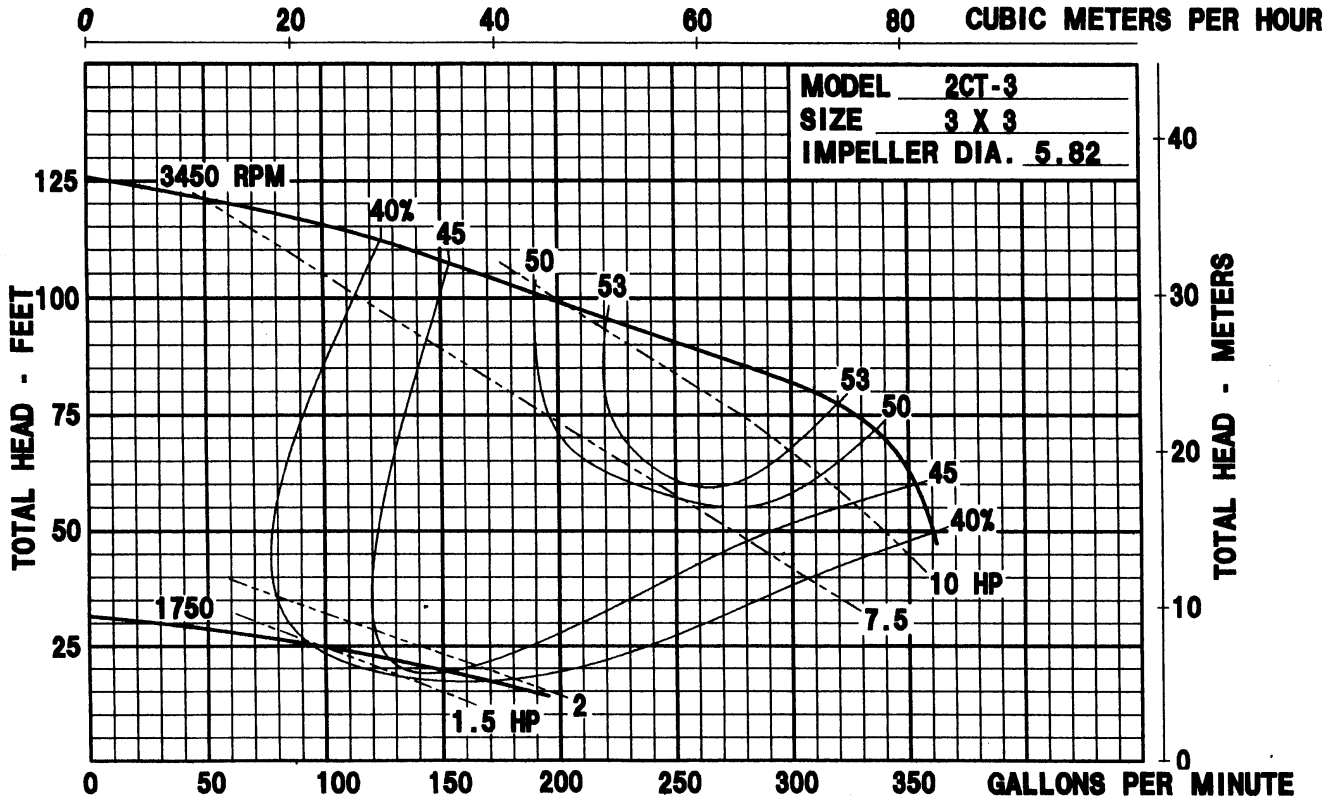
2CT-3

**2CT Pump Performance Curves**

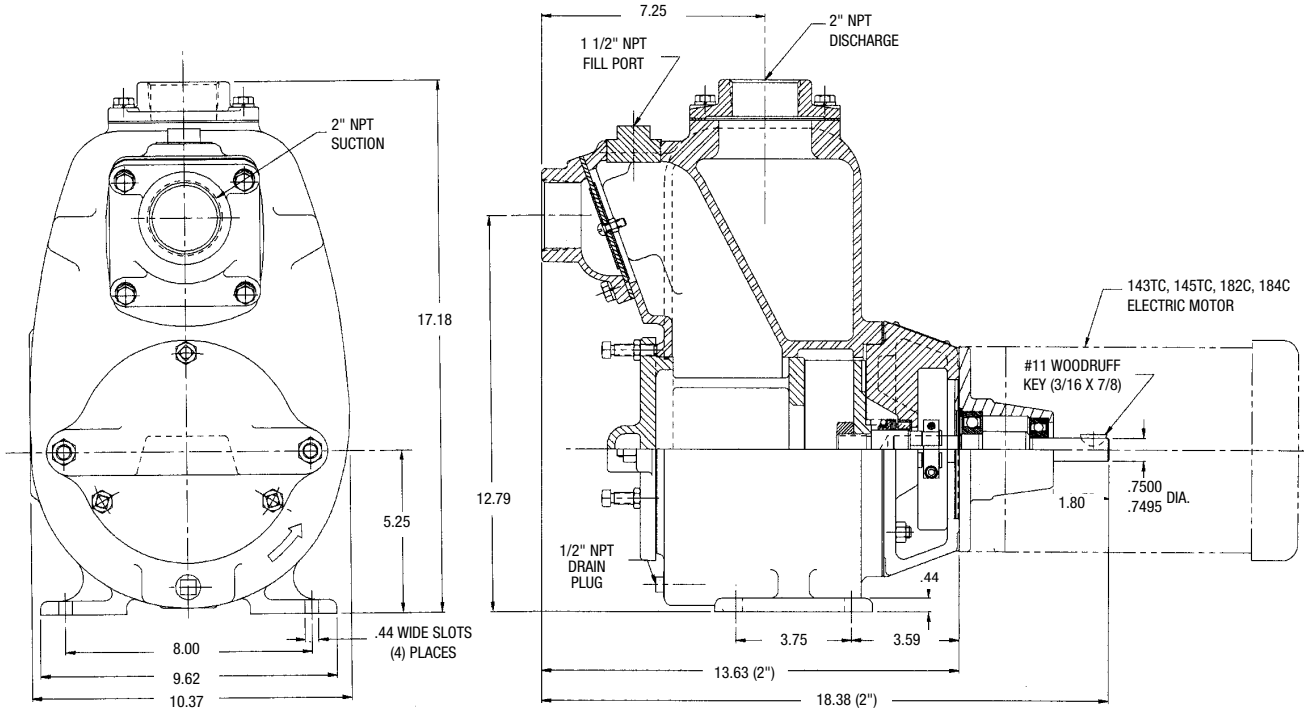


Other Performance Curves Available Upon Request

**2CT-3 Pump Performance Curves**



## 2CT Dimensions



## 2CT-3 Dimensions

