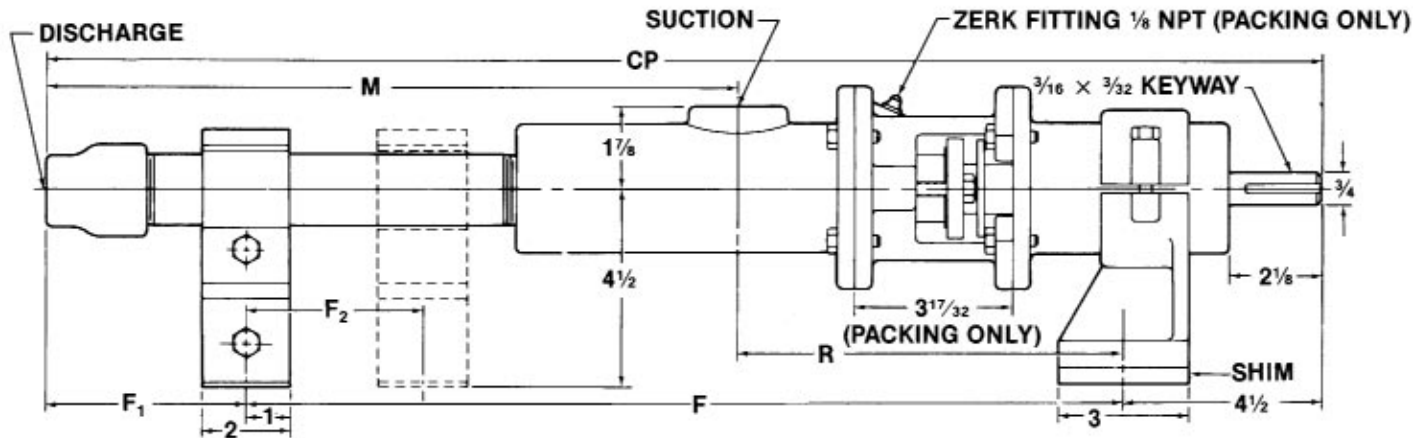
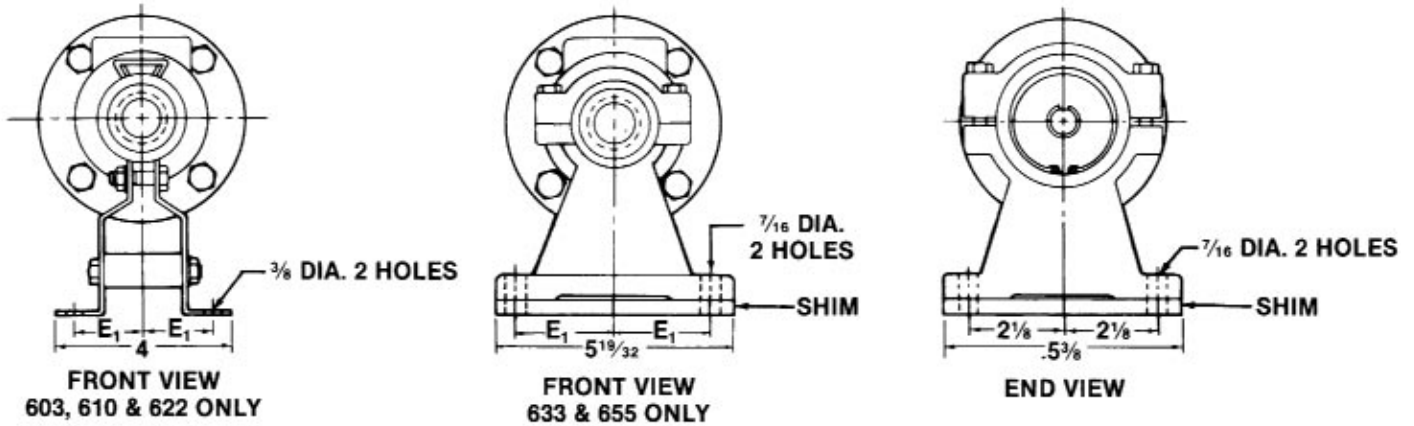


SPECIFICATION DATA
MOYNO® 500 PUMPS

603, 610, 622, 633, AND 655 MODELS

DIMENSIONS



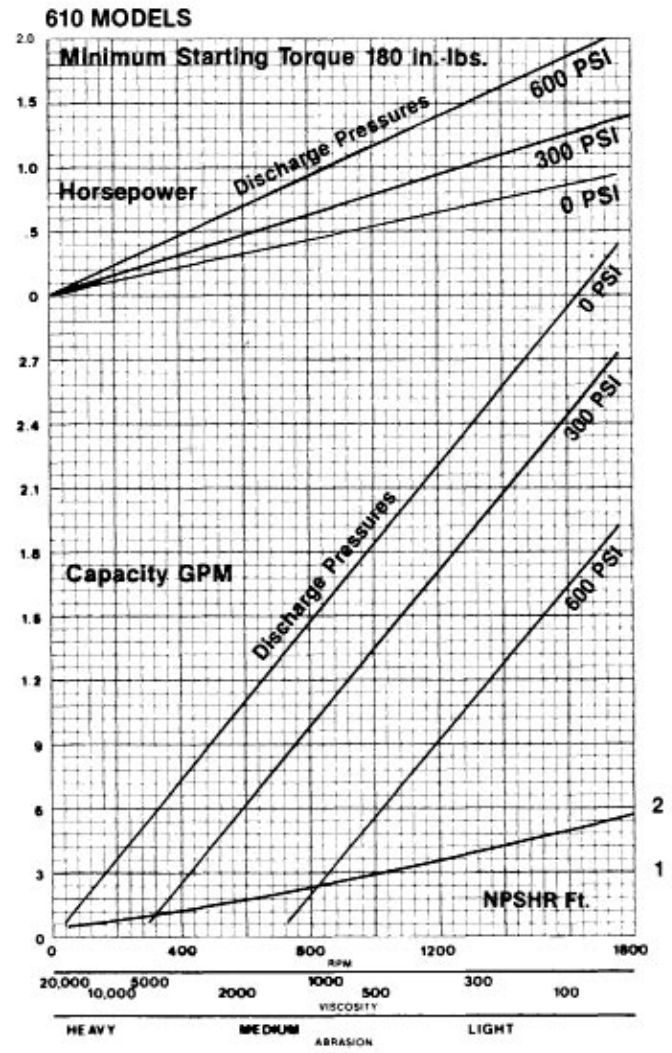
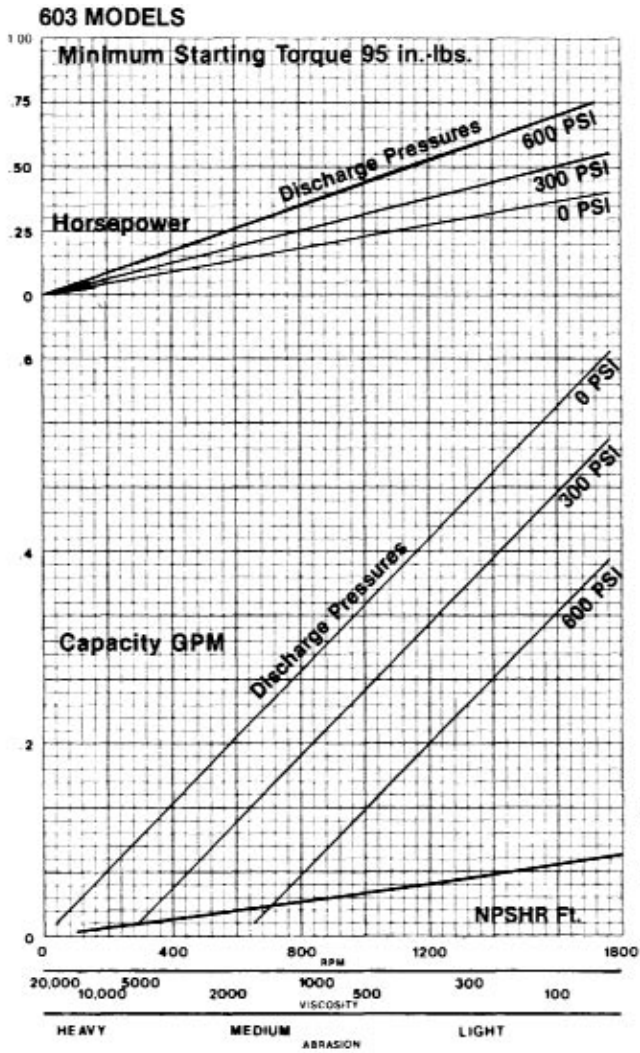
600 SERIES

MODELS	CP	E ₁	F	F ₁	F ₂	M	R	SUCT. (NPT)	DISCH. (NPT)	WEIGHT (LBS.)
60301	24 ²⁵ / ₃₂	1 ⁹ / ₁₆	15 ¹ / ₄	5 ¹ / ₃₂	—	15	5 ¹ / ₄	³ / ₄	¹ / ₂	30
*60311	28 ⁵ / ₁₆	1 ⁹ / ₁₆	18 ²⁵ / ₃₂	5 ¹ / ₃₂	—	15	8 ¹⁵ / ₃₂	³ / ₄	¹ / ₂	38
61001	32 ³ / ₈	1 ⁹ / ₁₆	22 ³ / ₄	5 ¹ / ₈	—	22 ⁵ / ₈	5 ¹ / ₄	³ / ₄	³ / ₄	32
*61011	35 ²⁹ / ₃₂	1 ⁹ / ₁₆	22 ³ / ₄	8 ¹¹ / ₁₆	—	22 ⁵ / ₈	8 ¹⁵ / ₃₂	³ / ₄	³ / ₄	40
62201	37 ⁵ / ₈	1 ⁹ / ₁₆	22 ³ / ₄	10 ³ / ₈	10 ¹ / ₄	27 ⁷ / ₈	5 ¹ / ₄	³ / ₄	³ / ₄	32
*62211	41 ⁵ / ₃₂	1 ⁹ / ₁₆	22 ¹¹ / ₁₆	14	7 ¹¹ / ₁₆	27 ⁷ / ₈	8 ¹⁵ / ₃₂	³ / ₄	³ / ₄	40
63301	27 ⁹ / ₁₆	2 ¹ / ₈	14 ³ / ₄	8 ⁵ / ₁₆	—	17 ⁷ / ₈	5 ¹ / ₄	1 ¹ / ₄	1 ¹ / ₄	40
*63311	31 ²³ / ₃₂	2 ¹ / ₈	22 ¹ / ₄	4 ³¹ / ₃₂	—	17 ⁷ / ₈	8 ¹⁵ / ₃₂	1 ¹ / ₄	1 ¹ / ₄	48
65501	27 ¹³ / ₁₆	2 ¹ / ₈	14 ³ / ₄	8 ⁹ / ₁₆	—	18 ¹ / ₁₆	5 ¹ / ₄	1 ¹ / ₄	1 ¹ / ₄	38
*65511	31 ¹¹ / ₃₂	2 ¹ / ₈	22 ¹ / ₄	4 ¹⁹ / ₃₂	—	18 ¹ / ₁₆	8 ¹⁵ / ₃₂	1 ¹ / ₄	1 ¹ / ₄	46

*Packing Gland Models.

All dimensions are in inches.
Specifications subject to change without notice.

PERFORMANCE (water at 70°F)

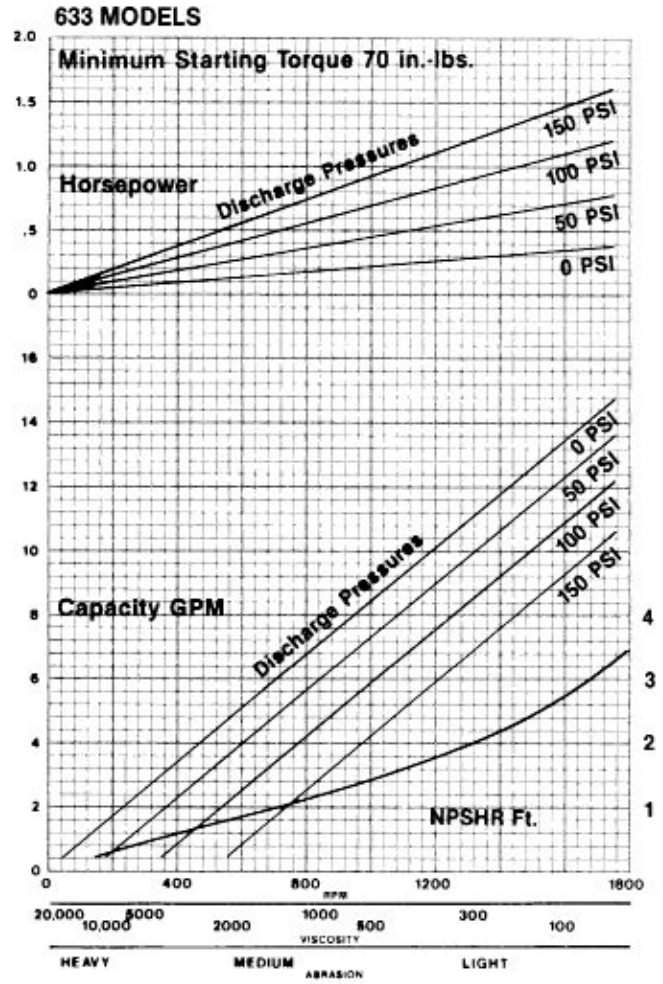
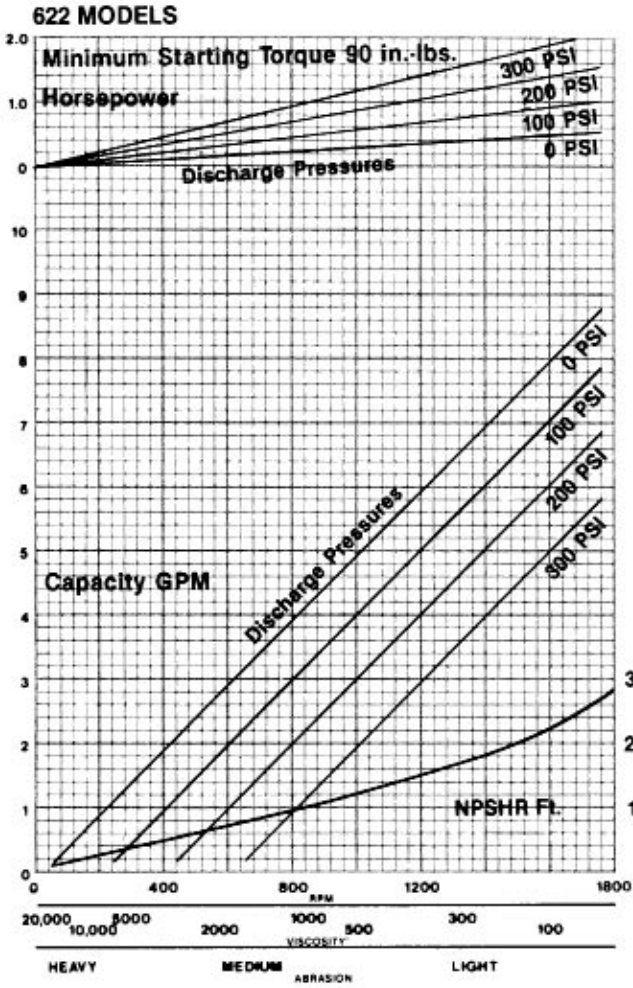


MATERIALS OF CONSTRUCTION

COMPONENT	ALL MODELS
Housing	Cast iron
Rotor	416 SS/CP
Stator	NBR (Nitrile)

CP = Chrome plated

PERFORMANCE (water at 70°F) (CONT)



PERFORMANCE (Water at 70°F) (CONT)

