

SUMP & SEWAGE SUBMERSIBLE GRINDER PUMP

WS - GRND.

Water Systems

Sump and Sewage

Lawn and Sprinkler

Electric Motor Driven

Engine Driven

Frame Mount

Hand Pumps

Irrigation and Industrial



WS SERIES SUBMERSIBLE GRINDER PUMP

CONSTRUCTION - Motor and pump housing is cast iron, 1 1/4" NPT discharge.

CORD - Power cord sealed at motor housing, 20 ft., 14/3 SJTW

IMPELLER - Ductile iron, recessed, semi open with pump out vanes for mechanical seal protection.

CUTTER - High chrome steel two blade cutter with hardness of 55 - 58 Rockwell C. Stationary cutter ring can be reversed for extended service. Replaceable without dismantling pump.

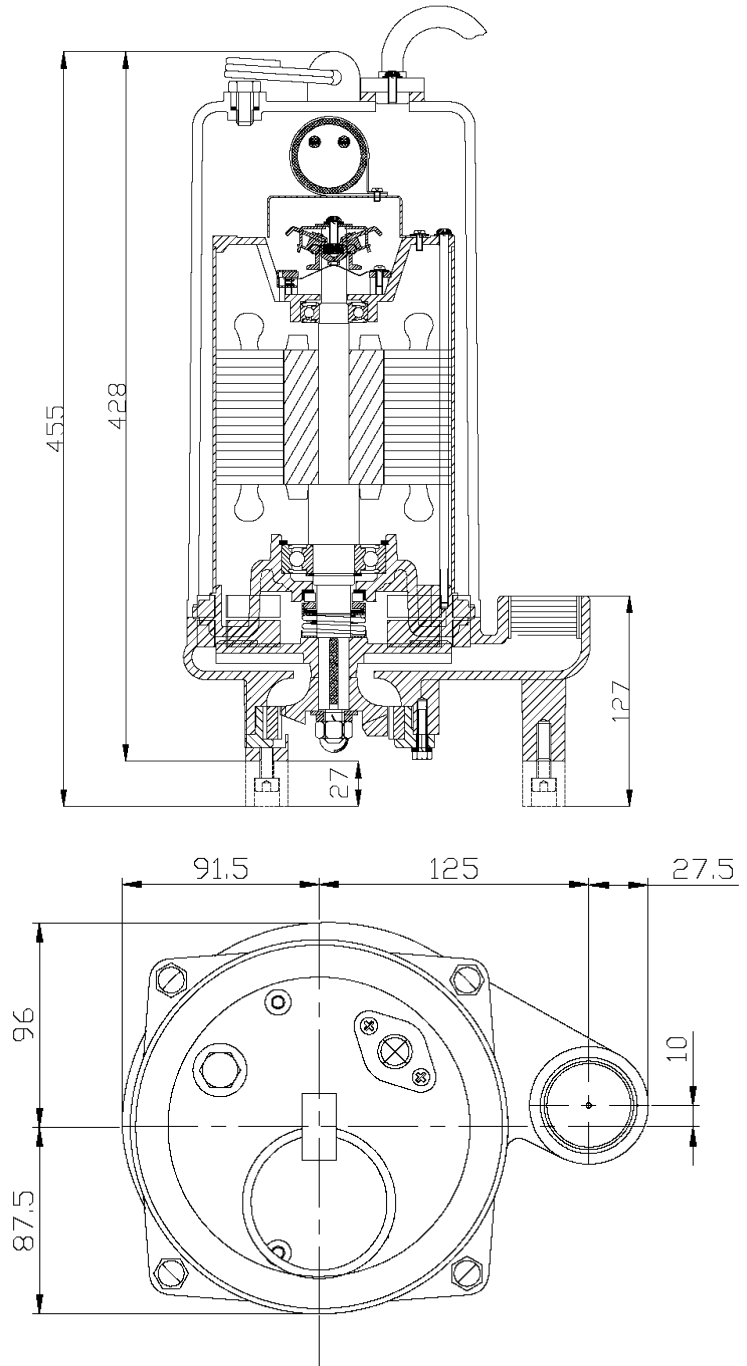
SEAL - Hard SILICON CARBIDE seal faces, NBR elastomer for long life abrasion resistance.

SHAFT - Corrosion resistant 410 Stainless Steel shaft.

MOTOR - 2 HP, single phase, 230 Volt, 15 FLA, capacitor start oil filled motor with automatic thermal overload and upper and lower ball bearing construction. No special panel required. Can be used with regular piggy back style float switch, rated for 2 HP 1/230V, for ease of maintenance.

FASTENERS - 304 stainless steel

Dimensions



*Dimensions measured in millimeters

SUBMERSIBLE GRINDER PUMPS - AUTOMATIC AND MANUAL								
Model No.	Order No.	HP	Volts	SFA	Phase	Ship Wt. (lbs.)	Switch	Cord Length
WS200GM	620265	2	230	15.0	1	73	Manual	20'
WS200GAM	620266	2	230	15.0	1	75	Automatic	20'

*Automatic model includes 20' piggyback float switch. (SJ Electro Pumpmaster Plus)