

SUMP & SEWAGE SUBMERSIBLE SEWAGE PUMPS

WSV52H

Water Systems

Sump and Sewage

Lawn and Sprinkler

Electric Motor Driven

Engine Driven

Frame Mount

Hand Pumps

Irrigation and Industrial



WSV52H SERIES SUBMERSIBLE SEWAGE PUMPS VORTEX

CONSTRUCTION - Motor housing, pump volute, and impeller are cast iron.

CORD - 20 foot power cord sealed at motor housing.

IMPELLER - A high capacity cast iron vortex impeller, designed for superior solids handling capabilities. This impeller is able to pass 2" solids by creating a vortex. Solids do not come into contact with the impeller. This provides superior clog free operation.

MOTOR - Powerful CSA approved 115 volt, oil free PSC motor. Rated for continuous duty, with thermal overload protection and double ball bearings for reliability.

SWITCH - Mercury Free piggy-back float switch for automatic on-off operation.

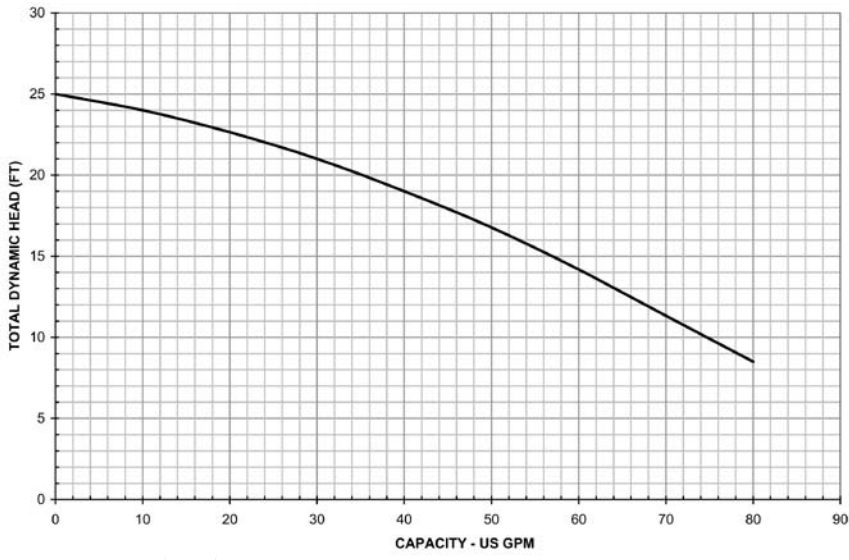
DISCHARGE - 2" NPT.

FASTENERS - 304 Stainless steel fasteners throughout, for serviceability.

SEAL - Carbon Ceramic mechanical seal.

SHAFT - 300 Grade stainless steel for corrosion resistance.

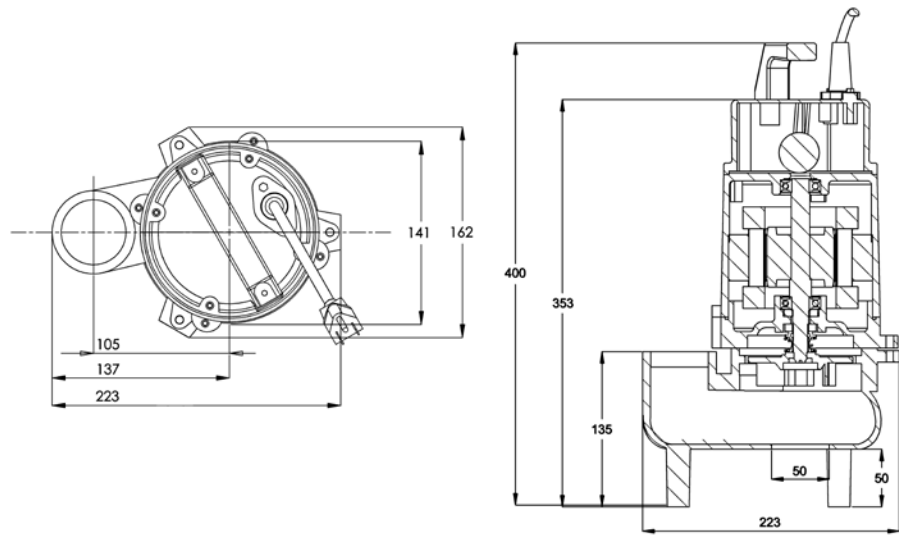
Performance



NEW!
2 Year
Warranty

Model No.	PERFORMANCE CHART				Shut-Off Head (ft.)
	Total Head in Feet				
	5	10	15	20	
	Capacities in U.S. GPM				
WSV52H	90	75	57	35	25

Dimensions



*Dimensions measured in inches

SUBMERSIBLE SEWAGE PUMPS - AUTOMATIC AND MANUAL									
Model No.	Order No.	HP	Volts	SFA	Phase	Solids Handling	Ship Wt. (lbs.)	Switch	Cord Length
WSV52HM	620235	½	115 V	6.8	1	2"	36	Manual	20'
WSV52HAM	620236	½	115 V	6.8	1	2"	38	Automatic	20'