

# SUMP & SEWAGE SUBMERSIBLE EFFLUENT PUMPS

WS - EFFL.

Water Systems

Sump and Sewage

Lawn and Sprinkler

Electric Motor Driven

Engine Driven

Frame Mount

Hand Pumps

Irrigation and Industrial



WS30M

## WS SERIES SUBMERSIBLE EFFLUENT PUMPS

Ideal for liquid effluent pumping applications, as well as light commercial applications with up to 1 1/16" diameter solids.

**CONSTRUCTION** - Motor and pump housing is Cast Iron Class 30.

**CORD** - Power cord sealed at motor housing. WS50, WS50H and WS100H uses SJOW. WS30 uses SJTW.

**IMPELLER** - Cast Iron Class 30. Solids handling non-clog impeller. Two vanes on the WS50, WS50H and WS100H. Three vanes on the WS30.

**SEAL** - Mechanical carbon/ceramic type 6, 5/8 rotary.

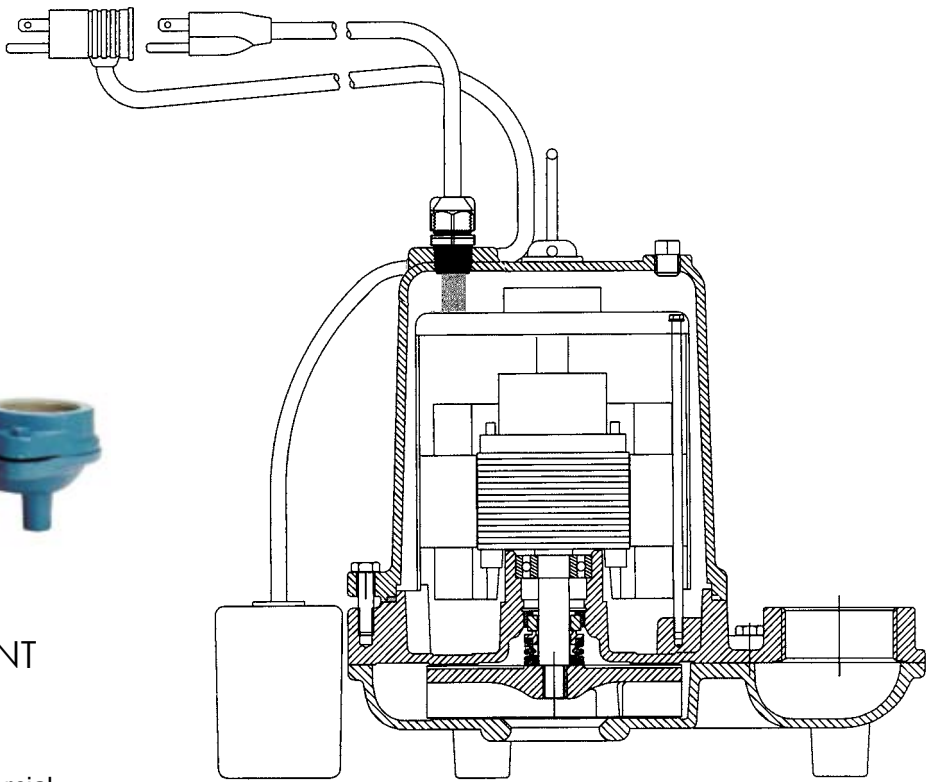
**SHAFT** - Motor shaft is 416 stainless steel.

**MOTOR** - Oil filled chamber with automatic overload protection, double ball bearing. Capacitor Start designed for hi-torque and is thermally protected with automatic reset (single phase only).

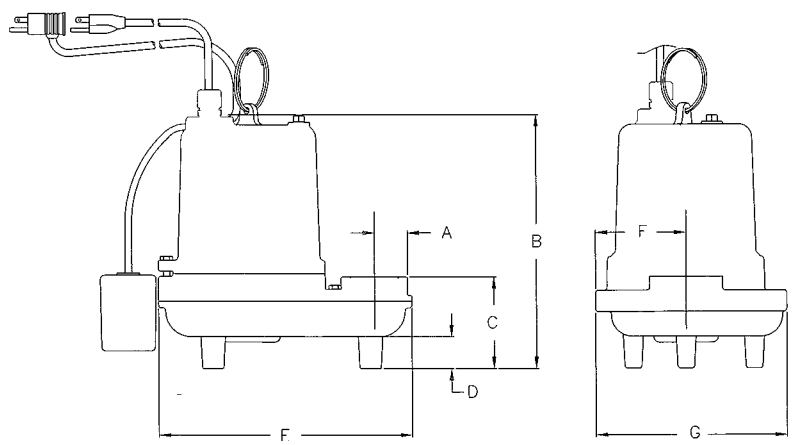
**SWITCH** - Mercury Free float switch for automatic on-off operation; piggyback style WS30. SJE pump master used on WS50, WS50H & WS100H models.

**DISCHARGE** - 2" NPT. Adaptor kit for 3" NPT available.

**FASTENERS** - Stainless steel fasteners throughout, for serviceability.



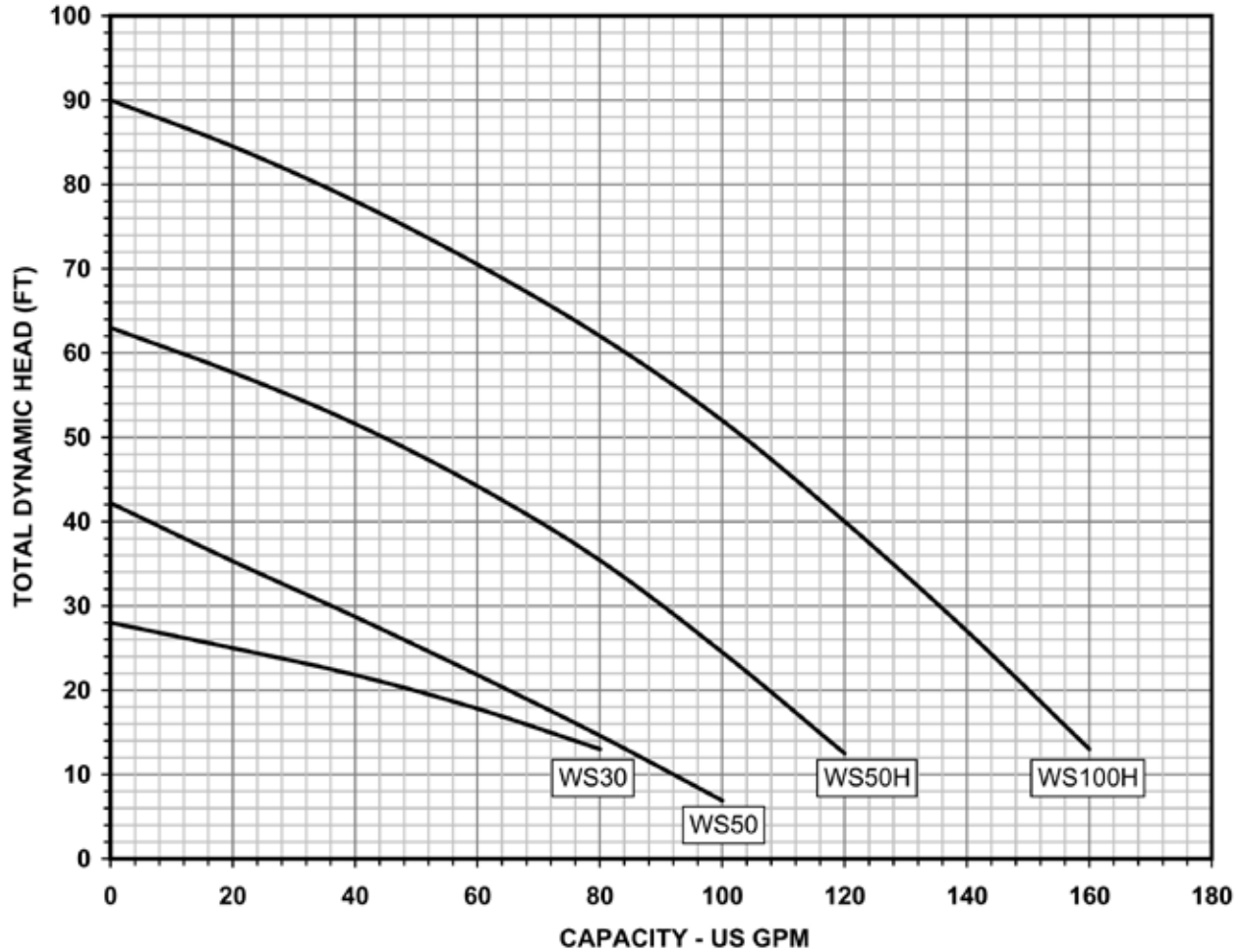
### Dimensions



Model	A	B	C	D	E	F	G
WS30	1.75	11.25	3.75	1	12.25	4.86	9.38
WS50	1.75	13.75	3.75	1	12.25	4.68	9.38
WS50H	1.75	13.75	3.75	1	12.25	4.68	9.38
WS100H	1.75	13.75	3.75	1	12.25	4.68	9.38

\*Dimensions measured in inches

# SUMP & SEWAGE SUBMERSIBLE EFFLUENT PUMPS



PERFORMANCE CHART							
Model No.	RPM	Total Head in Feet					Shut-Off Head (ft.)
		5	10	15	20	25	
		Capacities in U.S. GPM					
WS30	1750	105	90	70	45	15	28
WS50	3450	105	92	80	64	50	42

PERFORMANCE CHART													
Model No.	RPM	Total Head in Feet										Shut-Off Head (ft.)	
		10	20	30	40	50	60	70	80	90			
		Capacities in U.S. GPM											
WS50H	3450	115	98	78	57	30	0	-	-	-	63		
WS100H	3450	150	140	128	115	97	76	53	27	0	90		

SUBMERSIBLE EFFLUENT PUMPS - AUTOMATIC AND MANUAL									
Model No.	Order No.	HP	Volts	SFA	Phase	Solids Handling	Ship Wt. (lbs.)	Switch	Cord Length
WS30M	620010	1/3	115 V	10.4	1	11/16"	51	Manual	20'
WS30AM	620000	1/3	115 V	10.4	1	11/16"	53	Automatic	20'
WS50M-20	620231	1/2	115V	11.6	1	3/4"	55	Manual	20'
WS50AM-20	620233	1/2	115V	11.6	1	3/4"	57	Automatic	20'
WS50M-12-20	620251	1/2	208-230V	9.7	1	3/4"	56	Manual	20'
WS50AM-12-20	620253	1/2	208-230V	9.7	1	3/4"	58	Automatic	20'

HIGH HEAD SUBMERSIBLE EFFLUENT PUMPS - AUTOMATIC AND MANUAL									
Model No.	Order No.	HP	Volts	SFA	Phase	Solids Handling	Ship Wt. (lbs.)	Switch	Cord Length
WS50HM-20	620218	1/2	115 V	15.0	1	3/4"	56	Manual	20'
WS50HAM-20	620219	1/2	115 V	15.0	1	3/4"	58	Automatic	20'
WS50HM-12-20	620220	1/2	208-230V	9.7	1	3/4"	56	Manual	20'
WS50HAM-12-20	620221	1/2	208-230V	9.7	1	3/4"	58	Automatic	20'
WS100HM-12-20	620222	1	208-230V	13.6	1	3/4"	57	Manual	20'
WS100HAM-12-20	620223	1	208-230V	13.6	1	3/4"	59	Automatic	20'
WS100HM-32	620207	1	208-230V	6.2	3	3/4"	62	Manual	30'
WS100HM-34	620206	1	460 V	3.1	3	3/4"	62	Manual	30'

30' cord length models are available, please contact factory.

WS - EFFL.

Water Systems

Sump and Sewage

Lawn and Sprinkler

Electric Motor Driven

Engine Driven

Frame Mount

Hand Pumps

Irrigation and Industrial