

LAWN SPRINKLER PUMPS

JET SPRINKLER UTILITY PUMP

MJSE

Water Systems

Sump and Sewage

Lawn and Sprinkler

Electric Motor Driven

Engine Driven

Frame Mount

Hand Pumps

Irrigation and Industrial



Garden Hose Adapter



MJSE-50 SERIES JET SPRINKLER UTILITY PUMP

The Monarch MJSE jet sprinkler pump is a versatile pump for pressure boosting, small underground sprinkler systems, operating lawn sprinklers and a multitude of other general purpose clean water applications.

SEAL PLATE AND CASING - Built from rugged cast iron and specially treated with an anti-rust primer coating, to ensure years of dependable service.

MOTOR - CSA approved, **higher than NEMA service factor** dual compartment motors, open drip proof, capacitor start and thermal overload protected for safety; single phase, convenient electrical connection; 3600 RPM, square flange design, with threaded motor shaft for positive impeller alignment.

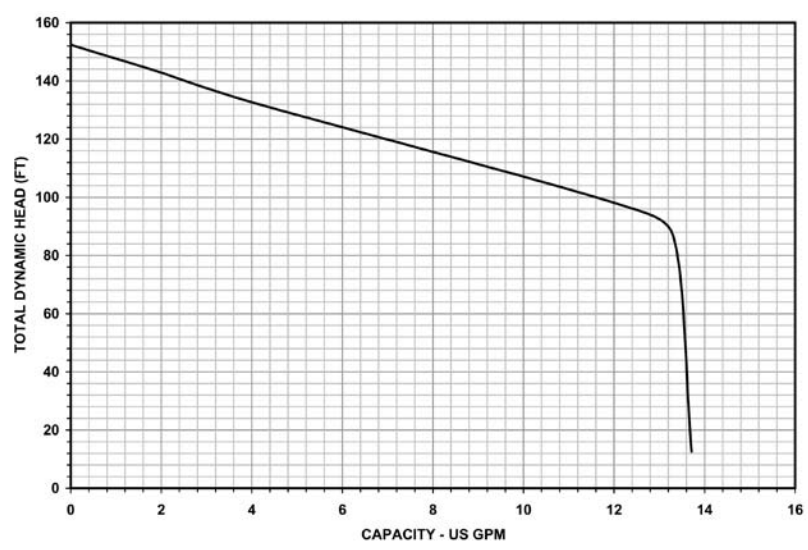
POWER CORD - Includes an 8 foot grounded power cord for easy connection to any standard 115 volt outlet.

GARDEN HOSE ADAPTER - Provides easy connection to any standard garden hose.

IMPELLER - Precision molded glass filled thermoplastic is extra smooth, for highest pump efficiency.

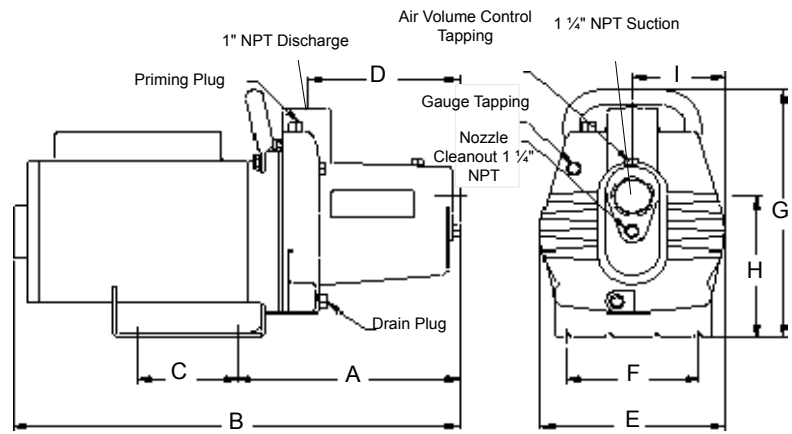
VENTURI AND BUILT-IN NOZZLE - Made of abrasion resistant thermoplastic, engineered for optimum pressure and flow.

Performance



Total Suction Lift (ft.)	Capacities in U.S. GPM										Shut-Off Head (ft.)
	Discharge Pressure in PSI										
	20	25	30	35	40	45	50	55	60	65	
5	12.8	12.5	12.3	12.1	11.2	9.5	6.9	4.3	2.0	-	64.2
10	11.5	11.3	11	10.8	10.4	8.5	6.0	3.4	1.0	-	62.0
15	9.8	9.7	9.6	9.5	9.4	7.3	4.7	2.2	-	-	59.9
20	8.3	8.1	7.8	7.7	7.6	5.7	3.5	1.0	-	-	57.7
25	5.6	5.5	5.5	5.4	5.3	4.7	2.3	0.2	-	-	55.5

Dimensions



Model	A	B	C	D	E	F	G	H	I	Ship Wt. (lbs.)
MJSE-50	9.38	17.3	3.0	6.0	7.0	4.85	10.5	4.62	3.5	36

*Dimensions measured in inches

JET SPRINKLER UTILITY PUMP						
Model No.	Order No.	HP	SF	Voltage	Ship Wt. (lbs.)	Description
MJSE-50	614431	1/2	1.90	115	36	Cast iron body, jet sprinkler utility pump.